



LTS-2
user manual

©2018 ADJ PRODUCTS LLC all rights reserved. Information, specifications, diagrams, images, and instructions herein are subject to change without notice. ADJ logo and identifying product names and numbers herein are trademarks of ADJ PRODUCTS LLC. Copyright protection claimed includes all forms and matters of copyrightable materials and information now allowed by statutory or judicial law or hereinafter granted. Product names used in this document may be trademarks or registered trademarks of their respective companies and are hereby acknowledged. All non-ADJ brands and product names are trademarks or registered trademarks of their respective companies.

ADJ PRODUCTS LLC and all affiliated companies hereby disclaim any and all liabilities for property, equipment, building, and electrical damages, injuries to any persons, and direct or indirect economic loss associated with the use or reliance of any information contained within this document, and/or as a result of the improper, unsafe, insufficient and negligent assembly, installation, rigging, and operation of this product.

ADJ PRODUCTS LLC USA

6122 S. Eastern Ave. Los Angeles, CA. 90040
323-582-2650 | Fax 323-532-2941 | www.adj.com | info@adj.com

ADJ SUPPLY Europe B.V

Junostraat 2 6468 EW Kerkrade, The Netherlands
+31 (0)45 546 85 00 | Fax +31 45 546 85 99 | www.adj.eu | info@americandj.eu

ADJ PRODUCTS GROUP Mexico

AV Santa Ana 30 Parque Industrial Lerma, Lerma, Mexico 52000
+52 (728) 282-7070 | ventas@adj.com

D O C U M E N T V E R S I O N

**An updated version of this document may be available online.
Please check www.adj.com for the latest revision/update of this document before beginning installation and use.**

Date	Document Version	Notes
11/11/18	1	Initial release.

CONTENTS

General Information	4
Limited Warranty (USA Only)	5
Safety Instructions and Guidelines	6
Overview	8
Installation Instructions	9
Trouble Shooting Tips	12
Frequently Asked Questions	12
Technical Specifications	13

GENERAL INFORMATION

INTRODUCTION

Please read and understand all instructions in this manual carefully and thoroughly before attempting to operate. These instructions contain important safety and use information.

UNPACKING

The products in this kit have been thoroughly tested and have been shipped in perfect operating condition. Carefully check the shipping carton for damage that may have occurred during shipping. If the carton appears to be damaged, carefully inspect each unit included for damage and be sure all accessories necessary to operate the units have arrived intact. In the event damage has been found or parts are missing, please contact our customer support team for further instructions. Please do not return this kit to your dealer without first contacting customer support at the number listed below. Please do not discard the shipping carton in the trash. Please recycle whenever possible.

WARRANTY RETURNS

All returned service items whether under warranty or not, must be freight pre-paid and accompany a return authorization (R.A.) number. The R.A. number must be clearly written on the outside of the return package. A brief description of the problem as well as the R.A. number must also be written down on a piece of paper and included in the shipping container. If the unit is under warranty, you must provide a copy of your proof of purchase invoice. Items returned without a R.A. number clearly marked on the outside of the package will be refused and returned at customer's expense. You may obtain a R.A. number by contacting customer support.

CUSTOMER SUPPORT

Contact ADJ Service for any product related service and support needs. Please visit forums.adj.com with questions, comments or suggestions.

ADJ SERVICE USA - Monday - Friday 8:00am to 4:30pm PST

800-322-6337 | Fax 323-832-2941 | support@adj.com

ADJ SERVICE EUROPE - Monday - Friday 08:30 to 17:00 CET

+31 45 546 85 60 | Fax +31 45 546 85 96 | support@adj.eu

REPLACEMENT PARTS please visit parts.americandj.com

LIMITED WARRANTY (USA ONLY)

- A. ADJ Products, LLC hereby warrants, to the original purchaser, ADJ Products, LLC products to be free of manufacturing defects in material and workmanship for a prescribed period from the date of purchase (see specific warranty period on reverse). This warranty shall be valid only if the product is purchased within the United States of America, including possessions and territories. It is the owner's responsibility to establish the date and place of purchase by acceptable evidence, at the time service is sought.
- B. **For warranty service, you must obtain a Return Authorization number (RA#) before sending back the product-please contact ADJ Products, LLC Service Department at 800-322-6337.** Send the product only to the ADJ Products, LLC factory. All shipping charges must be pre-paid. If the requested repairs or service (including parts replacement) are within the terms of this warranty, ADJ Products, LLC will pay return shipping charges only to a designated point within the United States. If the entire instrument is sent, it must be shipped in its original package. No accessories should be shipped with the product. If any accessories are shipped with the product, ADJ Products, LLC shall have no liability whatsoever for loss of or damage to any such accessories, or for the safe return thereof.
- C. This warranty is void if the serial number has been altered or removed; if the product is modified in any manner which ADJ Products, LLC concludes, after inspection, affects the reliability of the product, if the product has been repaired or service by anyone other than ADJ Products, LLC factory unless prior written authorization was issued to purchaser by ADJ Products, LLC; if the product is damaged because not properly maintained as set forth in the instruction manual.
- D. This is not a service contract, and this warranty does not include maintenance, cleaning or periodic check up. During the period specified above, ADJ Products, LLC will replace defective parts at its expense with new or refurbished parts, and will absorb all expenses for warrant service and repair labor by reason of defects in material or workmanship. The sole responsibility of ADJ Products, LLC under this warranty shall be limited to the repair of the product, or replacement thereof, including parts, at the sole discretion of ADJ Products, LLC. All products covered by this warranty were manufactured after August 15, 2012, and bear identifying marks to that effect.
- E. ADJ Products, LLC reserves the right to make changes in design and/or improvements upon its products without any obligation to include these changes in any products theretofore manufactured.
- F. No warranty, whether expressed or implied, is given or made with respect to any accessory supplied with products described above. Except to the extent prohibited by applicable law, all implied warranties made by ADJ Products, LLC in connection with this product, including warranties of merchantability or fitness, are limited in duration to the warranty period set forth above. And no warranties, whether expressed or implied, including warranties of merchantability or fitness, shall apply to this product after said period has expired. The consumer's and/or Dealer's sole remedy shall be such repair or replacement as is expressly provided above; and under no circumstances shall ADJ Products, LLC be liable for any loss or damage, direct or consequential, arising out of the use of, or inability to use, this product.
- G. This warranty is the only written warranty applicable to ADJ Products, LLC Products and supersedes all prior warranties and written descriptions of warranty terms and conditions heretofore published.

LIMITED WARRANTY PERIODS

- **Non L.E.D. Lighting Products = 1-year (365 days) Limited Warranty** (Such as: Special Effect Lighting, Intelligent Lighting, UV lighting, Strobes, Fog Machines, Bubble Machines, Mirror Balls, Par Cans, Trussing, Lighting Stands etc. excluding LED and lamps)
- **Laser Products = 1 Year (365 Days) Limited Warranty** (excludes laser diodes which have 6 month limited warranty)
- **L.E.D. Products = 2-year (730 days) Limited Warranty** (excluding batteries which have a 180 day limited warranty)
Note: 2 Year Warranty only applies to purchases within the United States.
- **StarTec Series = 1 Year Limited Warranty** (excluding batteries which have a 180 day limited warranty)
- **ADJ DMX Controllers = 2 Year (730 Days) Limited Warranty**

SAFETY INSTRUCTIONS AND GUIDELINES

To guarantee a smooth operation, it is important to follow all instructions and guidelines in this manual. ADJ PRODUCTS LLC is not responsible for injury and/or damages resulting from the misuse of these devices due to the disregard of the information printed in this manual. Only qualified and/or certified personnel should perform installation of these devices and only the original rigging parts included with these devices should be used for installation. Any modifications to these devices and/or the included mounting hardware will void the original manufactures warranty and increase the risk of damage and/or personal injury.



**THERE ARE NO USER SERVICEABLE PARTS INSIDE THESE DEVICES.
DO NOT ATTEMPT ANY REPAIRS YOURSELF; DOING SO WILL VOID YOUR
MANUFACTURES WARRANTY. DAMAGES RESULTING FROM MODIFICATIONS TO
THIS STAND AND/OR THE DISREGARD OF SAFETY INSTRUCTIONS AND
GUIDELINES IN THIS MANUAL VOID THE MANUFACTURES WARRANTY AND ARE
NOT SUBJECT TO ANY WARRANTY CLAIMS AND/OR REPAIRS.**



**NEVER SET UP OR INSTALL STAND ON UNEVEN SURFACE!
NEVER INSTALL OR MOUNT STAND IN UNSTABLE LOCATIONS!
SPREAD THE LEGS UNTIL THE STAYS EXTEND HORIZONTALLY!
NEVER REMOVE THE SAFETY PIN WHEN THE A KNOB IS LOOSE!
BE CAREFUL NOT TO OVEREXTEND THE INNER PIPE!
KEEP FLAMMABLE MATERIALS AWAY FROM THE STAND
MAX LOAD CAPACITY PER STAND IS 132.3 LBS. (60 KGS)**

SAFETY INSTRUCTIONS AND GUIDELINES



INDOOR / DRY LOCATIONS USE ONLY!

DO NOT EXPOSE DEVICES TO RAIN AND/OR MOISTURE!

WHEN USING STAND OUTSIDE UNDER STRONG WIND, TAKE APPROPRIATE MEASURES TO PREVENT IT FROM FALLING DOWN!

TIGHTEN EACH KNOB AND BOLT SECURELY!



AVOID BRUTE FORCE WHEN INSTALLING.

ONLY USE RECOMMENDED RIGGING HARDWARE AS DESCRIBED IN THIS GUIDE.

USE THE ORIGINAL PACKAGING AND MATERIALS TO TRANSPORT FOR SERVICE

DO NOT POSITION STAND CLOSE TO ANY FLAMMABLE MATERIALS WHILE OPERATING.

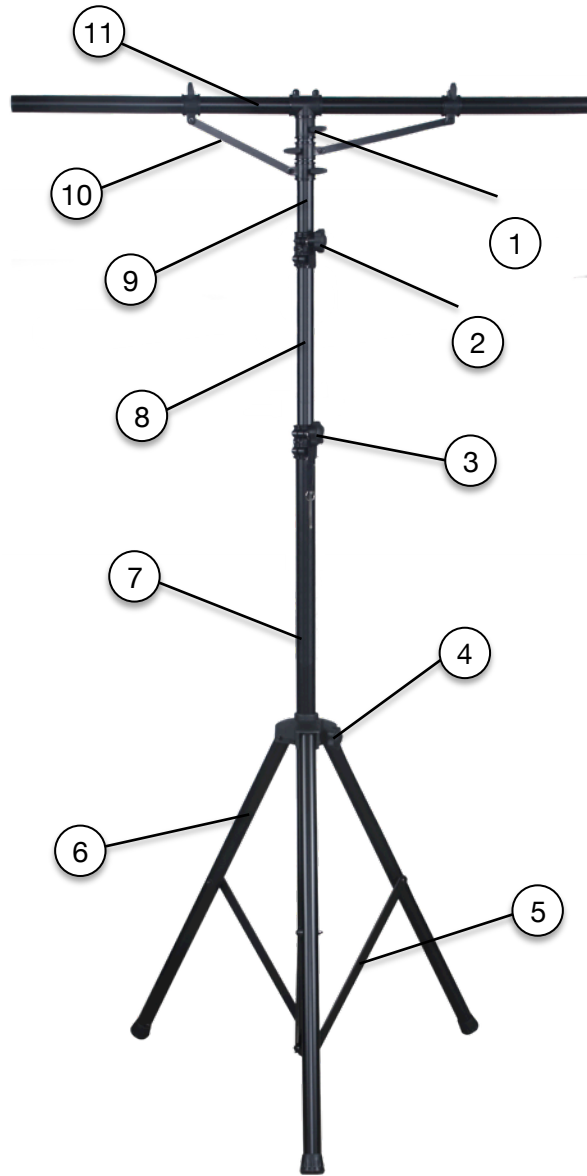


DO NOT ATTEMPT INSTALLATION OF STAND WITHOUT KNOWLEDGE ON HOW TO DO SO.

OVERVIEW

INCLUDED ITEMS

- (1) LTS-2
- (1) T-BAR
- (2) Support Bar



- 1. Knob A
- 2. Knob B
- 3. Knob C
- 4. Knob D

- 5. Stay
- 6. Leg
- 7. Outer Pipe
- 8. Inner Pipe

- 9. Inlet Pipe
- 10. Support Bar
- 11. T-Bar

INSTALLATION INSTRUCTIONS



FLAMMABLE MATERIAL WARNING

Keep stand minimum 5.0 feet (1.5m) away from flammable materials and/or pyrotechnics.



DO NOT INSTALL/HANG DEVICES ON STAND IF YOU ARE NOT QUALIFIED TO DO SO!

AVOID INSTALLING OR MOUNTING THE STAND IN UNSTABLE LOCATIONS, SUCH AS AN UNEVEN SURFACE OR MOVING TABLE. DOING SO MAY RESULT IN THE STAND FALLING DOWN AND CAUSING PERSONAL INJURY AND/OR PROPERTY DAMAGE.

WHEN USING THE STAND OUTSIDE UNDER STRONG WIND, TAKE APPROPRIATE MEASURES TO PREVENT IT FROM FALLING DOWN.

TIGHTEN EACH KNOB AND BOLT SECURELY. ENSURE THAT THE BRACKET HAS NO LOOSE KNOBS OR JOINTS AFTER INSTALLATION TO PREVENT ACCIDENTS AND OR INJURY.

AVOID PLACING THE STAND IN A DOORWAY OR OTHER HIGH TRAFFIC AREAS AS PEOPLE MAY TRIP ON THE EQUIPMENT AND CORDS, OR BE INJURED BY FALLING OBJECTS.

TAKE CARE NOT TO PINCH YOUR FINGERS OR HANDS BETWEEN THE STAND LEGS.

NEVER STAND DIRECTLY BELOW THE DEVICES WHEN MOUNTING, REMOVING OR SERVICING.

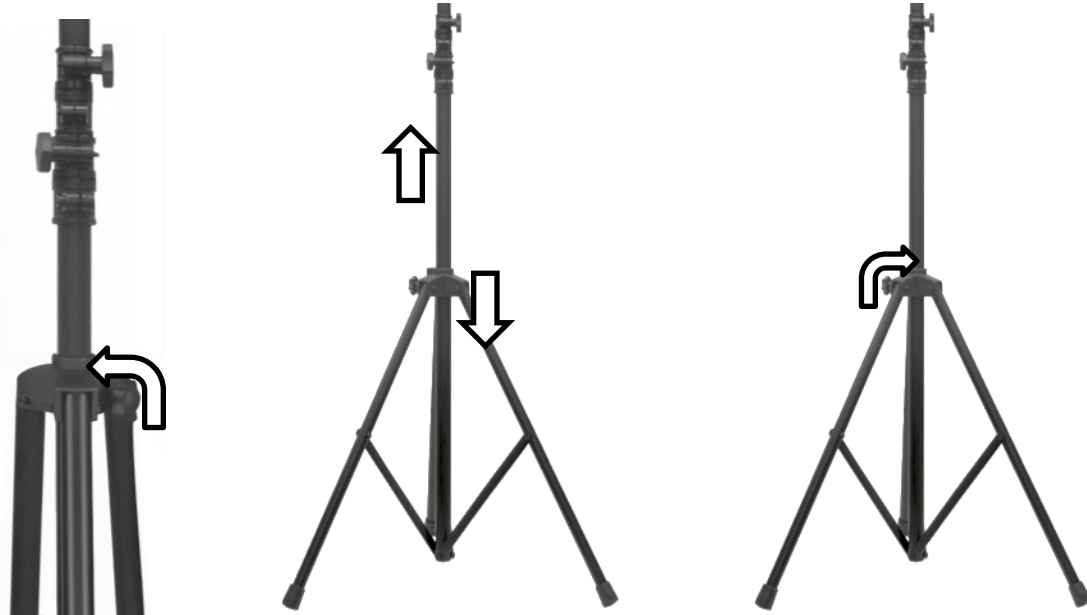
DEVICES MUST ALL BE INSTALLED FOLLOWING ALL LOCAL, NATIONAL, AND COUNTRY COMMERCIAL ELECTRICAL AND CONSTRUCTION CODES AND REGULATIONS.

DO NOT EXCEED WEIGHT CAPACITY OF 132.3 LBS. (60 KGS)

INSTALLATION INSTRUCTIONS (continued)

SETUP

Loosen Knob D by turning it counter clockwise. Spread the legs by pulling up on the outer pipe until the stays extend horizontally.



Loosen Knob C by turning it counter clockwise. Extend the inner pipe to the desired height and insert the safety pin through the stopper holes in the inner pipe. Secure and tighten Knob C by turning it clockwise. Repeat this process to set the desired height for the inlet pipe as well.



MOUNTING THE T-BAR

The stand comes with a T-Bar for mounting optional lighting and other equipment. To install the T-Bar, vertically align the Support Bars with the T-Bar connection. Lower the T-Bar onto the inner pipe and tighten Knob A to secure T-Bar to stand.



MOUNTING OPTIONAL LIGHTING AND OTHER ACCESSORIES

Lighting and other optional accessories may be mounted to the T-Bar. For installation instructions, please refer to the mounting instructions provided with the unit that is to be installed.

Note: The stand has a maximum capacity of 132.3 lbs. (60 kg)



TROUBLE SHOOTING TIPS

The stand seems unstable.

1. Check to ensure that all knobs and hardware are tight and secure.
2. If the stand is in an unsuitable location (uneven or unstable surface), reposition the stand.
3. Additional measures (i.e. sandbags or security cables) may be needed to secure the stand.

The T-Bar does not stay at the desired height.

1. Check to ensure that all knobs and hardware are tight and secure.
2. Check to ensure that the safety pin is installed and is being used.

FREQUENTLY ASKED QUESTIONS

Listed below are a few answers to common questions users may have.

1. What diameter is the inner pipe?

The pipe diameter is 1.5 in (38 mm)

2. What is weight capacity of the stand?

The stand has a capacity of 132.3 lbs./60 kg

3. What is the diameter of the T-Bar?

The T-Bar has an outer diameter of 1.5" (38 mm)

4. What is the maximum height of the stand?

The maximum height of the stand is 128" (3,250 mm)

5. Are additional stands, clamps or accessories available?

Yes. A variety of stands and accessories are available at www.adj.com.

OPTIONAL ACCESSORIES

Order Code	Description
EVE100	Single sided white speaker stand scrim. 5 ft. Includes a carrying bag
EVE200	2 sided white speaker stand scrim. 5 ft. Includes a carrying bag
EVE300	3 sided white speaker stand scrim. 5 ft. Includes a carrying bag
OSL587	O Slim 2 Clamp (Pearl)
OSL150	O Slim 1.5 Clamp 80 lbs. / 36 kg

TECHNICAL SPECIFICATIONS

Total Height Range: 47.2" (1450 mm) to 128" (3,250 mm)

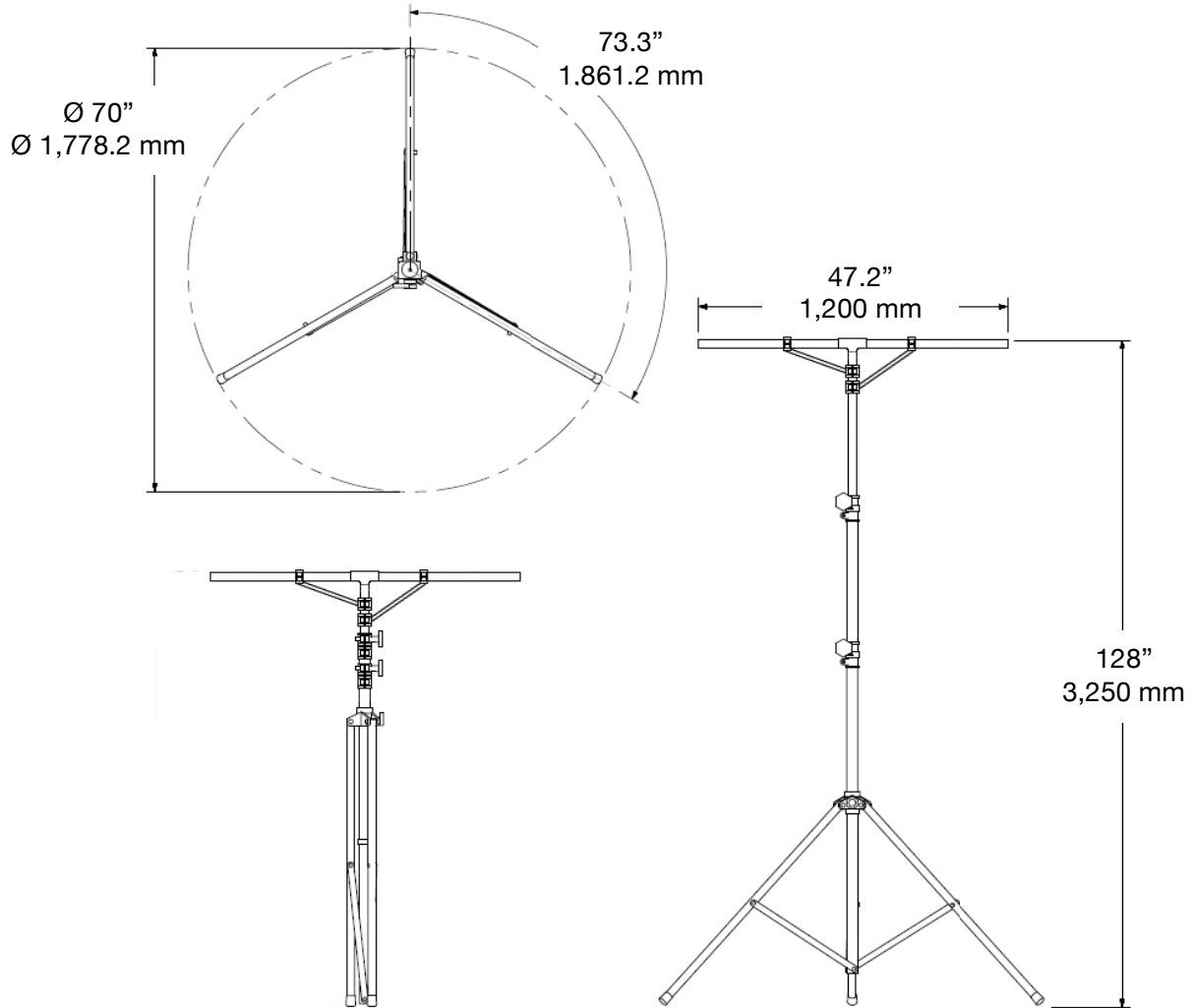
Recommended maximum height: 128" (3,250 mm)

Weight capacity: 132.3 lbs. (60 kg)

Inner Pipe Diameter: 1.5" (38 mm)

Weight: 10 lbs. (4.5 kg)

DIMENSIONS



Specifications subject to change without any prior written notice.

