

Antari
UV EFFECTS / **DarkFX**

Antari Lighting And Effects / darkfx.antari.com

D08UVFX04

DarkFX

darkfx.antari.com

Antari
UV EFFECTS

Antari Lighting And Effects



DarkFX

CONTENTS

Intro

01

DFX-Strip 1020

03

DFX-Wash 2000IP

05

DFX-Wash 2000

07

DFX-Spot 670

09

DFX-Strip 510

11

DFX-Strip 510IP

13

DFX-Spot 510IP

15

DFX-Stop 1750

17

DFX-Drive 4 MKII

19

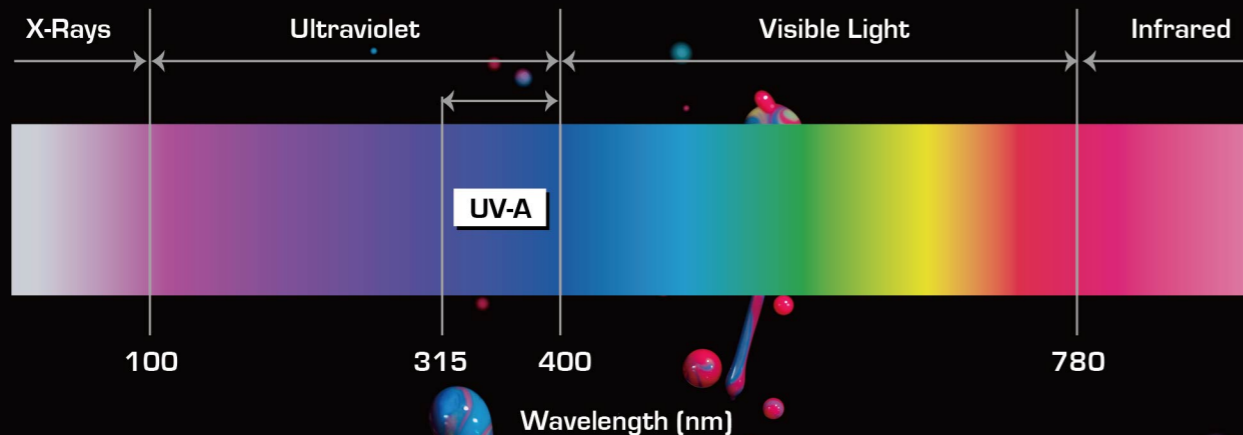
DFX-Drive 4

20

Intro

The prodigious DarkFX Series has adopted the latest LED technology with a peak wavelength of 365nm. Because, 365nm is in the middle of UV-A wavelength the emitted light evenly covers the whole spectrum producing a traditional blacklight effect without the visible light associated with most LED based blacklights. All UV reactive material reflects perfectly with stunning bright and vivid colors.

Traditional blacklight fixtures emit long-wave ultraviolet (UV) light without much visible light. The UV spectrum ranges from 100 to 400 nanometers (nm), emitting light that is generally invisible to the human eye*, however the higher the “nm” rating the more visible light. Traditionally the entertainment industry has used the UV-A spectrum (315-400nm), which is not harmful to humans, widely adopted in light fixtures, counterfeit detection, medical use and industrial curing.



*Typical human eye will respond to wavelength from 390 to 700nm



UV reactive material such as UV Paint, UV Make-up, and fluorescent minerals produce the best “glow” effect without any ambient light. Most LED blacklights in the market today have a peak wavelength between 390-410nm which is where the UV and visible light spectrums begin to overlap, in these cases the ambient light generated is very purple or blueish making the end result less than ideal when trying to create a true blacklight environment.

Application Area

Theater, Amusement Parks, TV & Film,
Themed Architecture and Entertainment Venues

Dark FX UV Paint

UV paint is also known as black light paint. Articles with UV paint applied react to UV light source and glow.

Available colors: Bright Green, Bright Orange, Bright Red, Brilliant Yellow, Deep Blue, Deep Violet, Deep Yellow, Hot Pink, Magenta, and Invisible Blue

Available capacities: 6 fluid ounce (177 ml), 1 quart (946 ml), and 1 gallon (3.78 Liter)



NEW **DarkFX**
Strip 1020

Features

- High efficiency UV LED
- Peak wavelength at 365nm
- Minimum visible light
- High output 9000mW at full intensity
- Special optics will not degrade by high UV exposure
- Flicker free

Specification

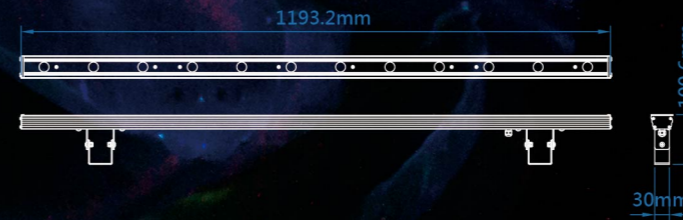
- Input voltage DC 48V @ 0.5A
- Rated power 24W
- LED 12 x 1.9W High Power UV LED
- Optics 40 degrees
- Radiant flux output 9000 mW
- Project lamp life 20,000 hrs L70 at 25C

- Peak wavelength 365nm
- Cable connection 22 AWG wire cable
- Housing Aluminum Extrusion
- Protection rating IP-20 Indoor use only
- Dimension L 1193.2 x W 30 x H 100.6 mm
- Dry weight 1.9 kg

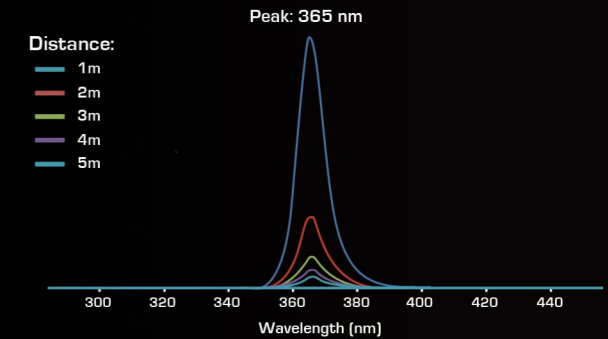
Illuminance measurement

Distance (m)	1	2	3	4	5
Intensity	450 [$\mu\text{W}/\text{cm}^2$] 4.50 [W/m^2]	158 [$\mu\text{W}/\text{cm}^2$] 1.58 [W/m^2]	79 [$\mu\text{W}/\text{cm}^2$] 0.79 [W/m^2]	42 [$\mu\text{W}/\text{cm}^2$] 0.42 [W/m^2]	31 [$\mu\text{W}/\text{cm}^2$] 0.31 [W/m^2]
Intensity degradation rate [compare with 1m]	0%	64.9 %	82.5 %	90.7 %	93.0 %

Dimensions



Spectrum



DarkFX Wash 2000 IP

Features

- High efficiency UV LED
- Peak wavelength at 365nm
- Special optics will not degrade to high UV exposure
- Minimum visible light
- High output 24800mW at full intensity
- Flicker free
- Weather proof IP-65
- Neutrik PowerCON True1 connector



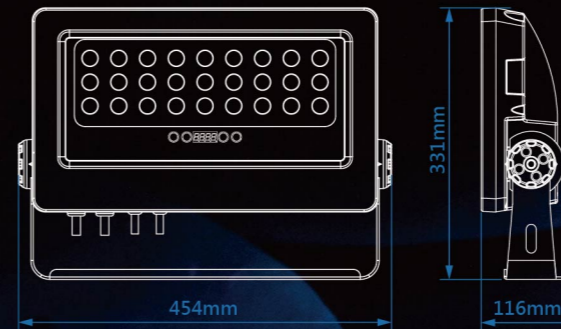
Specification

- | | | | |
|---------------------|------------------------------|---------------------|--------------------------------|
| - Input voltage | AC100-240V 50-60Hz | - Control option | DMX 512, Manual |
| - Rated power | 70W | - DMX channels | 1, 2 |
| - LED | 33 x 1.9W High Power UV LED | - Operation | Digital display with 4 buttons |
| - Refresh rate | 500 Hz | - Power connection | 3-Pin waterproof connector |
| - Optics | 25 degrees | - Data connection | 3-Pin waterproof connector |
| - Output | 24800mW | - Housing | Aluminum die-cast |
| - Project lamp life | 20,000 hrs L70 at 25 degrees | - Protection rating | IP-65 |
| - Color range | 365nm | - Dimension | L 454 x W 116 x H 331 mm |
| | | - Weight | 10.4 Kg |

Illuminance measurement

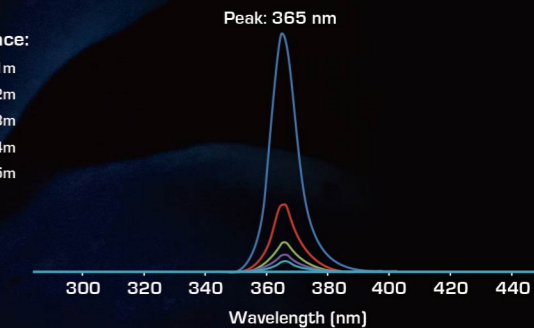
Distance [m]	1	2	3	4	5
Intensity	5462 [$\mu\text{W}/\text{cm}^2$] 54.62 [W/m^2]	1572 [$\mu\text{W}/\text{cm}^2$] 15.72 [W/m^2]	718 [$\mu\text{W}/\text{cm}^2$] 7.18 [W/m^2]	409 [$\mu\text{W}/\text{cm}^2$] 4.09 [W/m^2]	251 [$\mu\text{W}/\text{cm}^2$] 2.51 [W/m^2]
Intensity degradation rate [compare with 1m]	0 %	71.2 %	86.8 %	92.5 %	95.4 %

Dimensions



Spectrum

- Distance:
- 1m
 - 2m
 - 3m
 - 4m
 - 5m



DarkFX Wash 2000

Features

- High efficiency UV LED
- Peak wavelength at 365nm
- Minimum visible light
- High output 20290mW at full intensity
- Special optics will not degrade by high UV exposure
- Flicker free
- Adjustable modular strips to maximize coverage



Specification

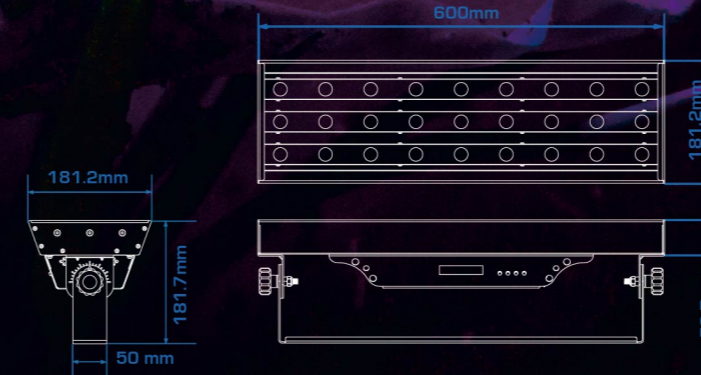
- Input voltage AC100-240V 50-60Hz
- Rated power 55W
- LED 27 x 1.9W High Power UV LED
- Refresh rate 500 Hz
- Optics 25 degrees
- Radiant flux output 20290 mW
- Project lamp life 20,000 hrs L70 at 25C
- Peak wavelength 365nm
- Control option DMX 512, Manual

- DMX channels 1, 2
- Operation 8 bit DMX 512
2 x 16 digit display
with 4 buttons
- Power connection Neutrik Powercon in / through
- DMX data connection 5-pin XLR
- Housing Metal
- Protection rating IP-20 Indoor use only
- Dimension L 600 x W 181.2 x H 181.7 mm
- Dry weight 6.37 kg

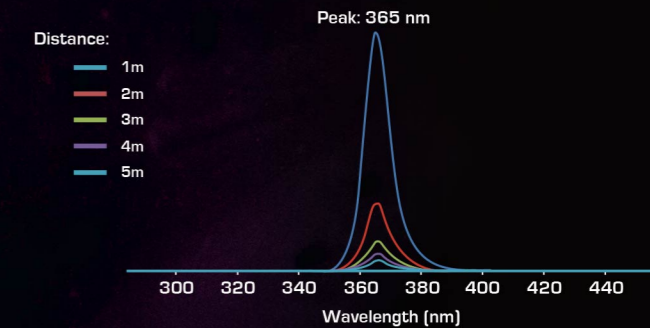
Illuminance measurement

Distance [m]	1	2	3	4	5
Intensity	4184 [$\mu\text{W}/\text{cm}^2$] 41.84 [W/m^2]	1737 [$\mu\text{W}/\text{cm}^2$] 17.37 [W/m^2]	933 [$\mu\text{W}/\text{cm}^2$] 9.33 [W/m^2]	648 [$\mu\text{W}/\text{cm}^2$] 6.48 [W/m^2]	526 [$\mu\text{W}/\text{cm}^2$] 5.26 [W/m^2]
Intensity degradation rate [compare with 1m]	0 %	66.3 %	83.8 %	87.7 %	90.9 %

Dimensions



Spectrum



DarkFX Spot 670

Features

- High efficiency UV LED
- Peak wavelength at 365nm
- Minimum visible light
- High output 6760mW at full intensity
- Special optics will not degrade by high UV exposure
- Flicker free
- 15 degrees narrow beam angle



Spot 670 Specification

- Input voltage AC100-240V 50-60Hz
- Rated power 21W
- LED 9 x 1.9W High Power UV LED
- Refresh rate 500 Hz
- Optics 15 degrees
- Radiant flux output 6760 mW
- Project lamp life 20,000 hrs L70 at 25C
- Peak wavelength 365nm

- Control option DMX 512, Manual
- DMX channels 1, 2
- Operation 2 x 16 digit display with 4 buttons
- Power connection Neutrik Powercon in / through
- DMX data connection 5-pin XLR
- Housing Metal
- Protection rating IP-20 Indoor use only
- Dimension L 205 x W 125 x H 125 mm
- Dry weight 2.64 kg

IP Enclosure Specification

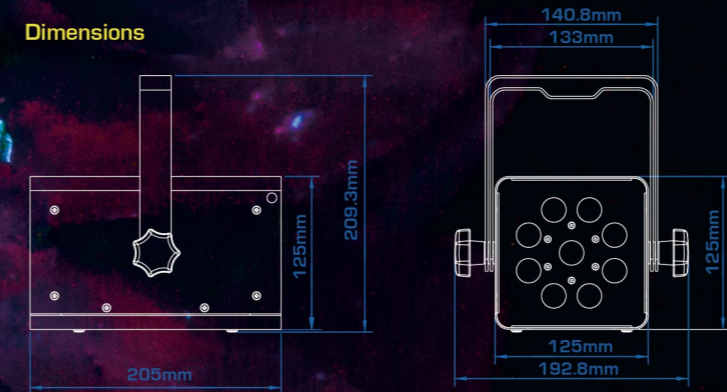
- Housing Metal
- Protection rating IP-63
- Dimension L 320.5 x W 173 x H 141.2 mm
- Dry weight 3.08 kg



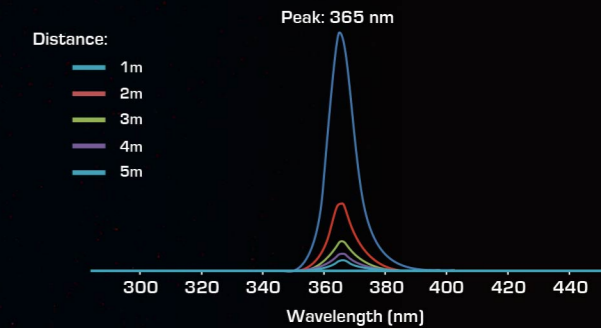
Illuminance measurement

Distance (m)	1	2	3	4	5
Intensity	4976 [$\mu\text{W}/\text{cm}^2$] 49.76 [W/m^2]	1675 [$\mu\text{W}/\text{cm}^2$] 16.75 [W/m^2]	807 [$\mu\text{W}/\text{cm}^2$] 8.07 [W/m^2]	614 [$\mu\text{W}/\text{cm}^2$] 6.14 [W/m^2]	451 [$\mu\text{W}/\text{cm}^2$] 4.51 [W/m^2]
Intensity degradation rate (compare with 1m)	0 %	66.3 %	83.8 %	87.7 %	90.9 %

Dimensions



Spectrum



DarkFX Strip 510

Features

- High efficiency UV LED
- Peak wavelength at 365nm
- Minimum visible light
- High output 4500mW at full intensity
- Special optics will not degrade by high UV exposure
- Flicker free



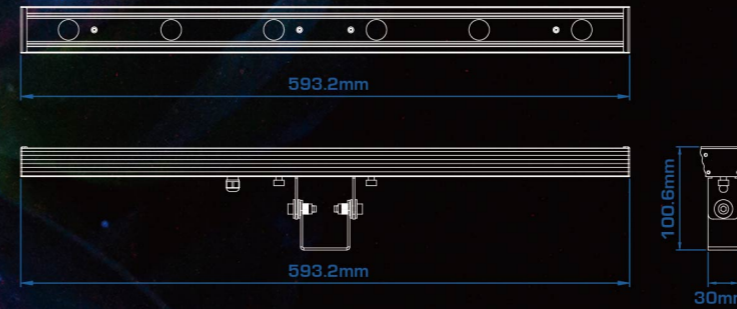
Specification

- Input voltage	DC 20-24V	- Peak wavelength	365nm
- Rated power	12W	- Cable connection	22 AWG wire cable
- LED	6 x 1.9W High Power UV LED	- Housing	Aluminum Extrusion
- Optics	25 degrees	- Protection rating	IP-20 Indoor use only
- Radiant flux output	4500 mW	- Dimension	L 593.2 x W 30 x H 100.6 mm
- Project lamp life	20,000 hrs L70 at 25C	- Dry weight	1.08 kg

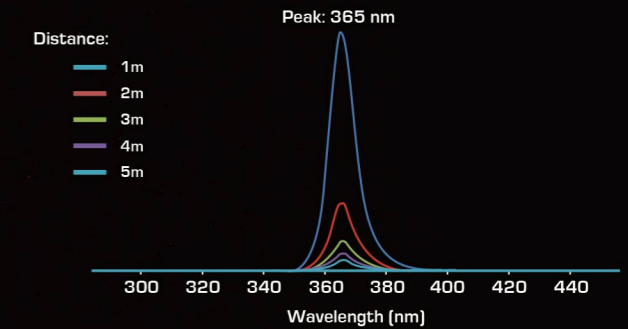
Illuminance measurement

Distance (m)	1	2	3	4	5
Intensity	700 [$\mu\text{W}/\text{cm}^2$] 7.00 [W/m^2]	211 [$\mu\text{W}/\text{cm}^2$] 2.11 [W/m^2]	99 [$\mu\text{W}/\text{cm}^2$] 0.99 [W/m^2]	54 [$\mu\text{W}/\text{cm}^2$] 0.54 [W/m^2]	38 [$\mu\text{W}/\text{cm}^2$] 0.38 [W/m^2]
Intensity degradation rate (compare with 1m)	0%	69.8 %	85.9 %	92.2 %	94.5 %

Dimensions



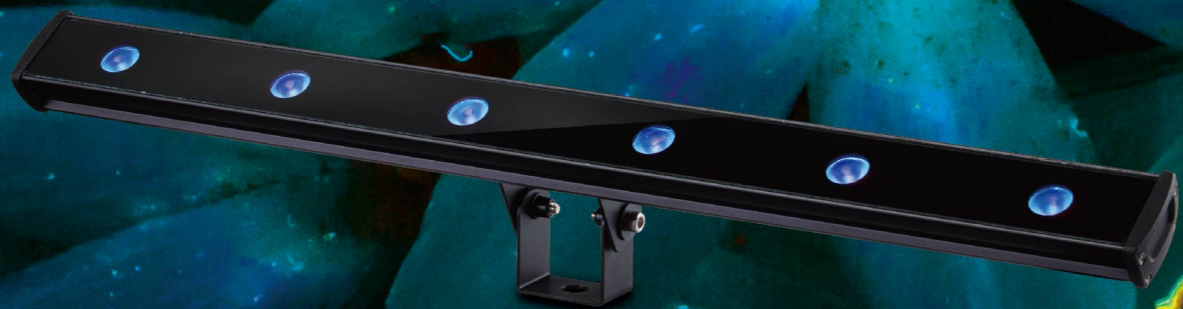
Spectrum



DarkFX Strip 510 IP

Features

- High efficiency UV LED
- Peak wavelength at 365nm
- Minimum visible light
- High output 4500mW at full intensity
- Special optics will not degrade by high UV exposure
- Flicker free



Specification

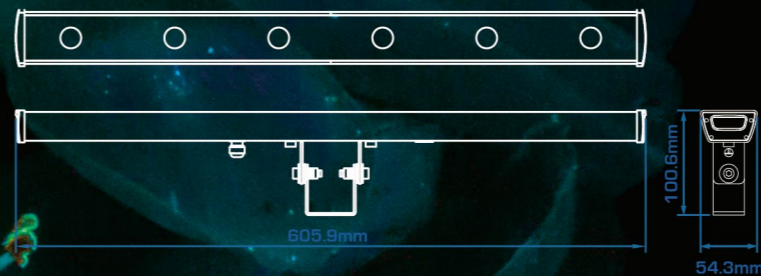
- Input voltage DC 20-24V
- Rated power 12W
- LED 6 x 1.9W High Power UV LED
- Optics 25 degrees
- Radiant flux output 4500 mW
- Project lamp life 20,000 hrs L70 at 25C

- Peak wavelength 365nm
- Cable connection 22 AWG wire cable
- Housing Aluminum Extrusion
- Protection rating IP-65
- Dimension L 605.9 x W 54.3 x H 100.6 mm
- Dry weight 1.08 kg

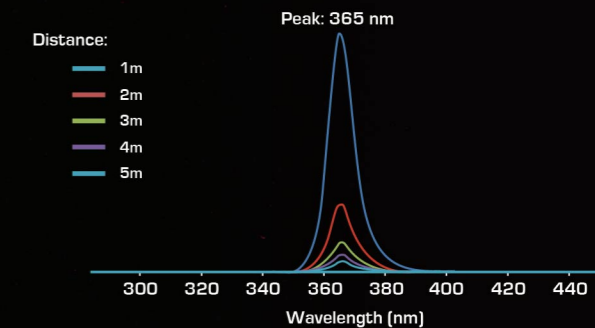
Illuminance measurement

Distance [m]	1	2	3	4	5
Intensity	700 [$\mu\text{W}/\text{cm}^2$] 7.00 [W/m^2]	211 [$\mu\text{W}/\text{cm}^2$] 2.11 [W/m^2]	99 [$\mu\text{W}/\text{cm}^2$] 0.99 [W/m^2]	54 [$\mu\text{W}/\text{cm}^2$] 0.54 [W/m^2]	38 [$\mu\text{W}/\text{cm}^2$] 0.38 [W/m^2]
Intensity degradation rate [compare with 1m]	0%	69.8 %	85.9 %	92.2 %	94.5 %

Dimensions



Spectrum



DarkFX Spot 510 IP

Features

- High efficiency UV LED
- Peak wavelength at 365nm
- Minimum visible light
- High output 4500mW at full intensity
- Special optics will not degrade by high UV exposure
- Flicker free
- Weather proof IP-65



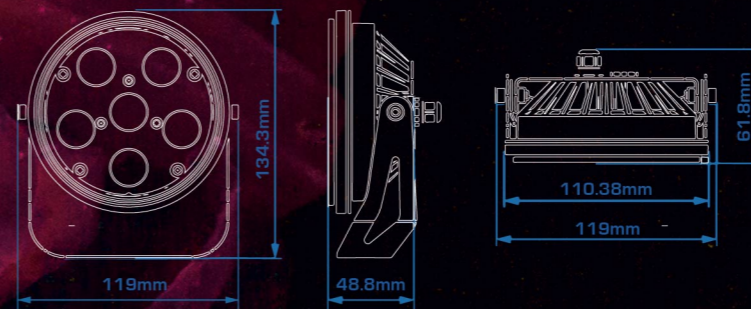
Specification

- Input voltage	DC 20-24V	- Peak wavelength	365nm
- Rated power	12W	- Cable connection	22 AWG wire cable
- LED	6 x 1.9W High Power UV LED	- Housing	Aluminum Die Casting
- Optics	15 degrees	- Protection rating	IP-65
- Radiant flux output	4500mW	- Dimension	W 110.5 x D 48.8 x H 134.3 mm
- Project lamp life	20,000 hours L70 at 25C	- Dry weight	0.71 kg

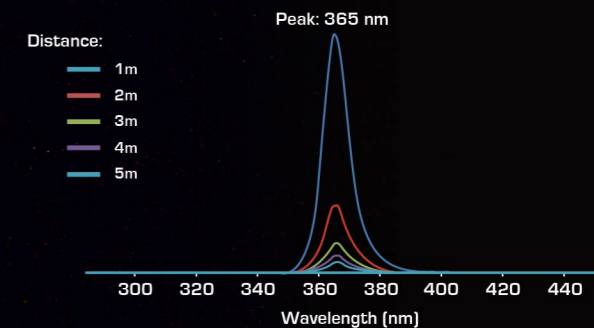
Illuminance measurement

Distance [m]	1	2	3	4	5
Intensity	2062 [$\mu\text{W}/\text{cm}^2$] 20.62 [W/m^2]	534 [$\mu\text{W}/\text{cm}^2$] 5.34 [W/m^2]	213 [$\mu\text{W}/\text{cm}^2$] 2.13 [W/m^2]	126 [$\mu\text{W}/\text{cm}^2$] 1.26 [W/m^2]	76 [$\mu\text{W}/\text{cm}^2$] 0.76 [W/m^2]
Intensity degradation rate (compare with 1m)	0 %	74.1 %	89.6 %	93.9 %	96.3 %

Dimensions



Spectrum



DarkFX Spot 1750

Features

- High efficiency UV LED
- Peak wavelength at 365nm
- Minimum visible light
- High output 19080mW at full intensity
- Special optics will not degrade by high UV exposure
- Flicker free
- 15 degrees narrow beam angle



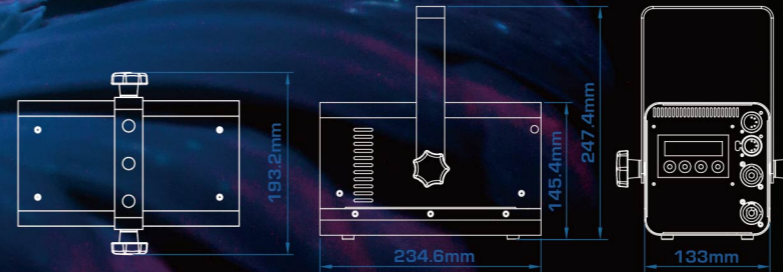
Specification

- Input voltage	AC100-240V 50-60Hz	- DMX channels	1, 2
- Rated power	72W	- Operation	2 x 16 digit display with 4 buttons
- LED	4 x 16W High Power UV LED	- Power connection	Neutrik Powercon in / through
- Refresh rate	600 Hz	- DMX data connection	5-pin XLR
- Optics	20 degrees	- Housing	Metal
- Radiant flux output	19080 mW	- Protection rating	IP-20 Indoor use only
- Project lamp life	20,000 hrs L70 at 25C	- Dimension	L 234.6 x W 193.2 x H 247.4 mm
- Peak wavelength	365nm	- Dry weight	3.2 kg
- Control option	DMX 512, Manual		

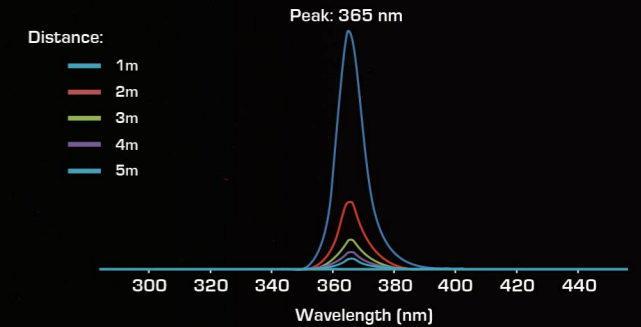
Illuminance measurement

Distance (m)	1	2	3	4	5
Intensity	6573 [$\mu\text{W}/\text{cm}^2$]	1760 [$\mu\text{W}/\text{cm}^2$]	769 [$\mu\text{W}/\text{cm}^2$]	439 [$\mu\text{W}/\text{cm}^2$]	288 [$\mu\text{W}/\text{cm}^2$]
	65.73 [W/m^2]	17.60 [W/m^2]	7.69 [W/m^2]	4.39 [W/m^2]	2.88 [W/m^2]
Intensity degradation rate [compare with 1m]	0 %	73.2 %	88.3 %	93.3 %	95.6 %

Dimensions



Spectrum



NEW **DarkFX**
Drive 4 MKII

Features

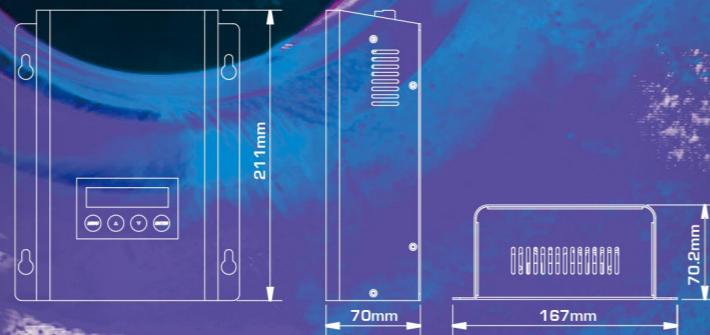
- Compact and robust design
- 4 output terminals for DarkFX UV fixtures
- Neutrik powercon in/ thru
- 2 x 16 digit LCD display interface
- DMX control option
- RDM feature set

Specification

- **Input voltage** AC100-240V 50-60Hz
- **Rated power** 100W
- **Refresh rate** 600Hz
- **Output current** Constant 500mA Max. per channel
- **Control option** RDM, DMX 512, Manual
- **DMX channels** 1, 2
- **Operation** 2 x 16 digit display with 4 buttons
- **Fixture output** 4 terminal block
- **Power connection** Neutrik Powercon in/through
- **DMX data connection** 5-pin XLR
- **Housing** Metal
- **Protection rating** IP-20 Indoor use only
- **Dimension** L 211 x W 167 x H 70 mm
- **Dry weight** 1.62 kg



Dimensions



DarkFX
Drive 4

Features

- Compact and robust design
- 4 output terminals for DarkFX UV fixtures
- Neutrik powercon in/ thru
- 2 x 16 digit LCD display interface
- DMX control option

Specification

- **Input voltage** AC100-240V 50-60Hz
- **Rated power** 75W
- **Refresh rate** 500Hz
- **Output current** Constant 500mA Max. per channel
- **Control option** DMX 512, Manual
- **DMX channels** 1, 2
- **Operation** 2 x 16 digit display with 4 buttons
- **Fixture output** 4 terminal block
- **Power connection** Neutrik Powercon in/through
- **DMX data connection** 5-pin XLR
- **Housing** Metal
- **Protection rating** IP-20 Indoor use only
- **Dimension** L 211 x W 167 x H 70 mm
- **Dry weight** 1.62 kg



Dimensions

