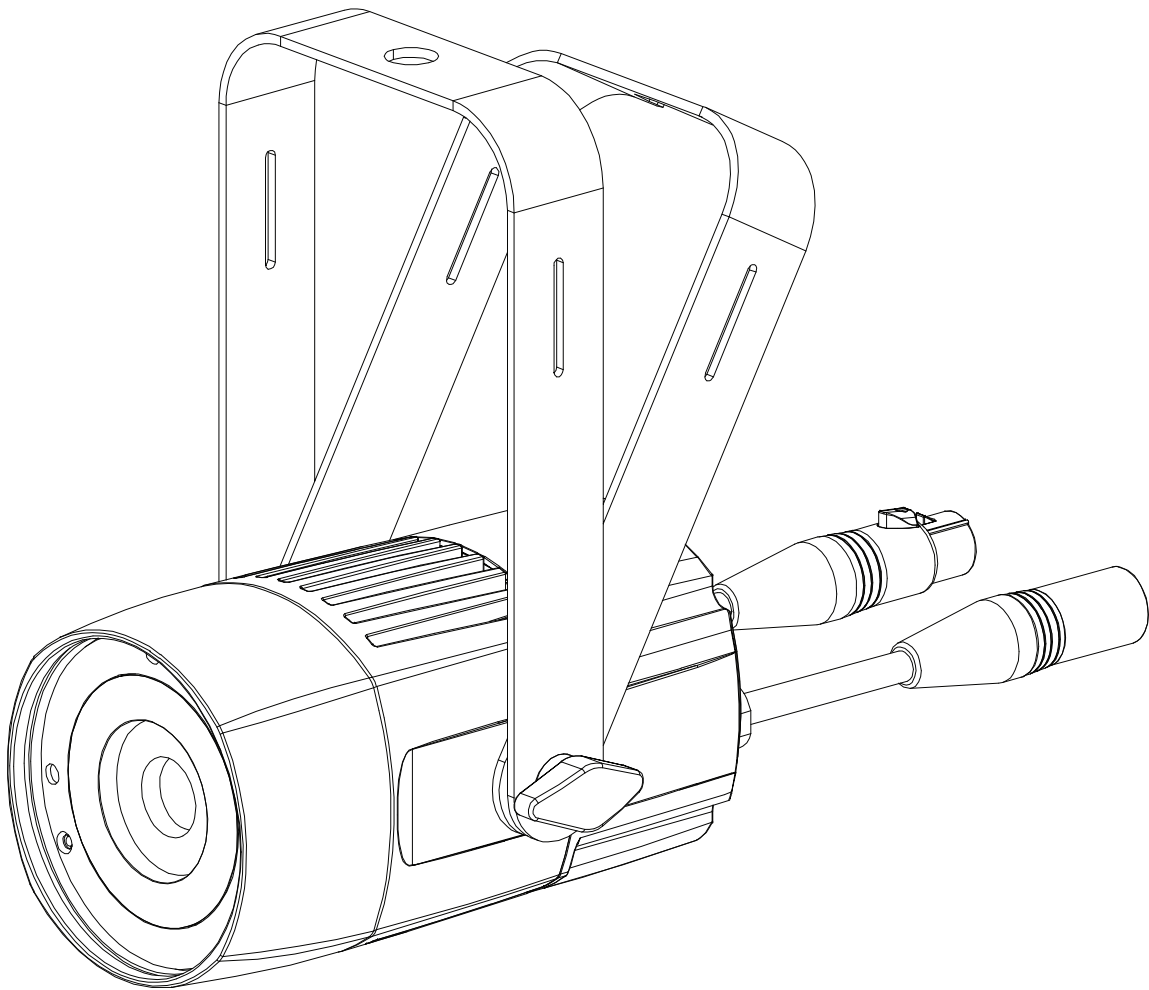




# SABER SPOT DTW



## *User Instructions*

©2018 ADJ Products, LLC all rights reserved. Information, specifications, diagrams, images, and instructions herein are subject to change without notice. ADJ Products, LLC logo and identifying product names and numbers herein are trademarks of ADJ Products, LLC. Copyright protection claimed includes all forms and matters of copyrightable materials and information now allowed by statutory or judicial law or hereinafter granted. Product names used in this document may be trademarks or registered trademarks of their respective companies and are hereby acknowledged. All non-ADJ Products, LLC brands and product names are trademarks or registered trademarks of their respective companies.

**ADJ Products, LLC** and all affiliated companies hereby disclaim any and all liabilities for property, equipment, building, and electrical damages, injuries to any persons, and direct or indirect economic loss associated with the use or reliance of any information contained within this document, and/or as a result of the improper, unsafe, insufficient and negligent assembly, installation, rigging, and operation of this product.

## DOCUMENT VERSION

Date	Document Version	Software Version $\geq$	DMX Channel Mode	Notes
02/15/18	1	1.01	1/2/4	Initial Release

Europe Energy Saving Notice

Energy Saving Matters (EuP 2009/125/EC)

Saving electric energy is a key to help protecting the environment. Please turn off all electrical products when they are not in use. To avoid power consumption in idle mode, disconnect all electrical equipment from power when not in use. Thank you!

Introduction	3
Features   Included   Warranty   Installation	4
Safety Precautions	5
DMX Setup	6
DMX Addressing	8
Overview	9
System Menu	10
Operating Instructions	11
Master-Slave Configuration	13
ADJ UC IR/Airstream IR Control	14
DMX Channel Modes	15
Dimmer Curve Chart	17
Dimensional Drawing	18
Power Linking   Trouble Shooting   Cleaning	19
Warranty	20
Technical Specifications	21

**Unpacking:** Thank you for purchasing the Saber Spot DTW by ADJ Products, LLC. Every Saber Spot DTW has been thoroughly tested and has been shipped in perfect operating condition. Carefully check the shipping carton for damage that may have occurred during shipping. If the carton appears to be damaged, carefully inspect your fixture for any damage and be sure all accessories necessary to operate the unit has arrived intact. In the case damage has been found or parts are missing, please contact our toll free customer support number for further instructions. Do not return this unit to your dealer without first contacting customer support.

**Introduction:** The ADJ Saber Spot DTW is a DMX intelligent LED fixture. The Saber Spot DTW can operate as a stand alone fixture or in a Master/Slave set up. The Saber Spot DTW has three operating modes; dimmer mode, show mode, & DMX controlled. This fixture is suitable for theaters, studios, retail stores, and other similar locations. *For best results use fog or special effects smoke to enhance the beams projections.*

These instructions contain important safety information regarding the use and maintenance of this system. Please keep this manual with the system, for future reference.

**Customer Support:** ADJ provides a customer support line, to provide set up help and to answer any question should you encounter problems during your set up or initial operation. You may also visit us on the web at [www.adj.com](http://www.adj.com) for any comments or suggestions. Service Hours are Monday through Friday 8:00 a.m. to 4:30 p.m. Pacific Standard Time.

Voice: (323) 582-2650  
Fax: (323) 582-2941  
E-mail: [support@AmericanDJ.com](mailto:support@AmericanDJ.com)

**WARNING!**

To prevent or reduce the risk of electrical shock or fire, do not expose this unit to rain or moisture.

**CAUTION!**

There are no user serviceable parts inside this unit. Do not attempt any repairs yourself, doing so will void your manufactures warranty. In the unlikely event your unit may require service please contact ADJ Products, LLC.

***PLEASE recycle the shipping carton when ever possible.***

## Saber Spot DTW

## Features / Included

- Three Operating Modes
- Electronic Dimming 0-100%
- DMX-512 Protocol | 3pin DMX In/Out Connections
- Three DMX Modes: 1 / 2 / 4
- ADJ UC IR compatible (Not Included) and Airstream IR compatible (Transmitter Not Included)
- Multiple Unit Power Linking

Included:

- powerCON Cable
- 10 Degree & 45 Degree Frosted Lens
- Lens Retainer Ring

## Saber Spot DTW

## Warranty Registration

The Saber Spot DTW carries a 2 year (730 Days) limited warranty. Please fill out the enclosed warranty card to validate your purchase. All returned service items whether under warranty or not, must be freight pre-paid and accompany a return authorization (R.A.) number. The R.A. number must be clearly written on the outside of the return package. A brief description of the problem as well as the R.A. number must also be written down on a piece of paper included in the shipping carton. If the unit is under warranty, you must provide a copy of your proof of purchase invoice. You may obtain a R.A. number by contacting our customer support team on our customer support number. All packages returned to the service department not displaying a R.A. number on the outside of the package will be returned to the shipper.

## Saber Spot DTW

## Installation

Fixtures should be mounted using a mounting clamp (not provided), affixing it to the mounting bracket that is provided with the unit. Always ensure that the fixture is firmly fixed to avoid vibration and slipping while operating. Always ensure that the structure to which you are attaching the unit is secure and is able to support a weight of 10 times the unit's weight. Also, always use a safety cable that can hold 12 times the weight of the unit when installing the fixture.

The equipment must be installed by a professional, and it must be installed in a place where it is out of the reach of people's grasp.

***For Your Own Personal Safety, Please Read and Understand This Manual Completely Before You Attempt To Install Or Operate This Unit!***

- To reduce the risk of electrical shock or fire, do not expose this unit rain or moisture
- Do not spill water or other liquids into or on to your unit.
- Be sure that the local power outlet match that of the required voltage for your unit.
- Do not attempt to operate this unit if the power cord has been frayed or broken.
- Do not attempt to remove or break off the ground prong from the electrical cord. This prong is used to reduce the risk of electrical shock and fire in case of an internal short.
- Disconnect from main power before making any type of connection.
- Do not remove the cover under any conditions. There are no user serviceable parts inside.
- Never operate this unit when it's cover is removed.
- Always be sure to mount this unit in an area that will allow proper ventilation. Allow about 6" (15cm) between this device and a wall.
- Do not attempt to operate this unit, if it becomes damaged.
- This unit is intended for indoor use only, use of this product outdoors voids all warranties.
- Always mount this unit in safe and stable matter.
- Power-supply cords should be routed so that they are not likely to be walked on or pinched by items placed upon or against them, paying particular attention to cords at plugs, convenience receptacles, and the point where they exit from the appliance.
- Cleaning -The fixture should be cleaned only as recommended by the manufacturer. See page 19 for cleaning details.
- Heat -This fixture should be situated away from heat sources such as radiators, heat registers, stoves, or other appliances (including amplifiers) that produce heat.
- The fixture should be serviced by qualified service personnel when:
  - A. Objects have fallen, or liquid has been spilled into the appliance.
  - B. The appliance has been exposed to rain or water.
  - C. The appliance does not appear to operate normally or exhibits a marked change in performance.

**DMX-512:** DMX is short for Digital Multiplex. This is a universal protocol used as a form of communication between intelligent fixtures and controllers. A DMX controller sends DMX data instructions from the controller to the fixture. DMX data is sent as serial data that travels from fixture to fixture via the DATA “IN” and DATA “OUT” XLR terminals located on all DMX fixtures (most controllers only have a DATA “OUT” terminal).

**DMX Linking:** DMX is a language allowing all makes and models of different manufactures to be linked together and operate from a single controller, as long as all fixtures and the controller are DMX compliant. To ensure proper DMX data transmission, when using several DMX fixtures try to use the shortest cable path possible. The order in which fixtures are connected in a DMX line does not influence the DMX addressing. For example; a fixture assigned a DMX address of 1 may be placed anywhere in a DMX line, at the beginning, at the end, or anywhere in the middle. When a fixture is assigned a DMX address of 1, the DMX controller knows to send DATA assigned to address 1 to that unit, no matter where it is located in the DMX chain.

**Data Cable (DMX Cable) Requirements (For DMX Operation):** The Saber Spot DTW can be controlled via DMX-512 protocol and has 3 DMX channel modes. The DMX address is set on the back panel. The Saber Spot DTW require standard 3pin XLR connectors for data input and data output (Figure 1), which are included on the included DMX cables. If you are making your own cables, be sure to use standard 110-120 Ohm shielded cable (This cable may be purchased at almost all pro lighting stores). Your cables should be made with a male and female XLR connector on either end of the cable. Also remember that DMX cable must be daisy chained and cannot be split.



Figure 1

**Notice:** Be sure to follow figures 2 and 3 below when making your own cables. Do not use the ground lug on the XLR connector. Do not connect the cable’s shield conductor to the ground lug or allow the shield conductor to come in contact with the XLR’s outer casing. Grounding the shield could cause a short circuit and erratic behavior.

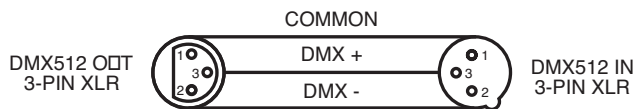


Figure 2

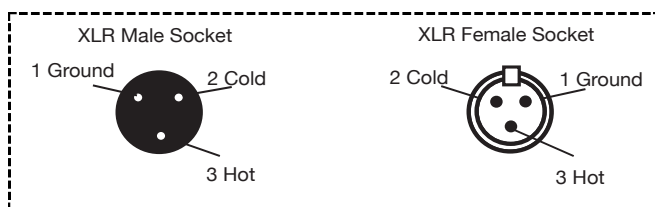
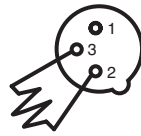


Figure 3

XLR Pin Configuration
Pin 1 = Ground
Pin 2 = Data Compliment (negative)
Pin 3 = Data True (positive)

**Special Note: Line Termination.** When longer runs of cable are used, you may need to use a terminator on the last unit to avoid erratic behavior. A terminator is a 110-120 ohm 1/4 watt resistor which is connected between pins 2 and 3 of a male XLR connector (DATA + and DATA -). This unit is inserted in the female XLR connector of the last unit in your daisy chain to terminate the line. Using a cable terminator (ADJ part number Z-DMX/T) will decrease the possibilities of erratic behavior.



Termination reduces signal errors and avoids signal transmission problems and interference. It is always advisable to connect a DMX terminal, (Resistance 120 Ohm 1/4 W) between PIN 2 (DMX-) and PIN 3 (DMX +) of the last fixture.

Figure 4

**5-Pin XLR DMX Connectors.** Some manufactures use 5pin DMX-512 data cables for DATA transmission in place of 3pin. 5pin DMX fixtures may be implemented in a 3-pin DMX line. When inserting standard 5pin data cable in to a 3pin line a cable adaptor must be used, these adaptors are readily available at most electric stores. The chart below details a proper cable conversion.

3-Pin XLR to 5-Pin XLR Conversion		
Conductor	3pin XLR Female (Out)	5pin XLR Male (In)
Ground/Shield	Pin 1	Pin 1
Data Compliment (- signal)	Pin 2	Pin 2
Data True (+ signal)	Pin 3	Pin 3
Not Used		Do Not Use
Not Used		Do Not Use



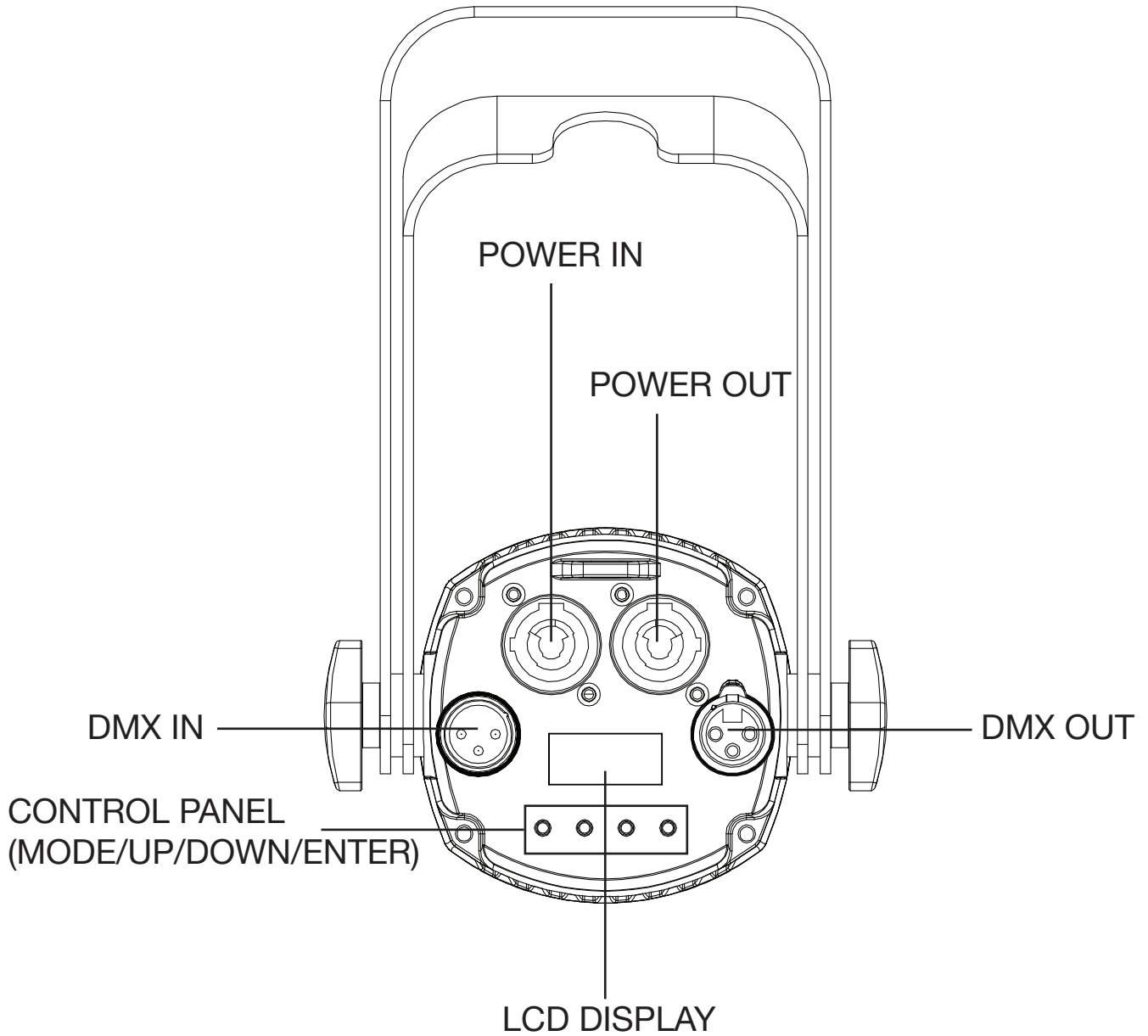
All fixtures should be given a DMX starting address when using a DMX controller, so the correct fixture responds to the correct control signal. This digital starting address is the channel number from which the fixture starts to “listen” to the digital control signal sent out from the DMX controller. The assignment of this starting DMX address is achieved by setting the correct DMX address on the digital control display on the fixture.

You can set the same starting address for all fixtures or a group of fixtures, or set different addresses for each individual fixture. Setting all fixtures to the same DMX address will cause all fixtures to react in the same way, in other words, changing the settings of one channel will affect all the fixtures simultaneously.

If you set each fixture to a different DMX address, each unit will start to “listen” to the channel number you have set, based on the quantity of DMX channels of each fixture. That means changing the settings of one channel will only affect the selected fixture.

In the case of the Saber Spot DTW, when in 4 Channel you should set the starting DMX address of the first unit to 1, the second unit to 5 (4 + 1), the third unit to 9 (5 + 4), and so on. (See chart below for more details.)

Channel mode	Unit 1 Address	Unit 2 Address	Unit 3 Address	Unit 4 Address
1 channels	1	2	3	4
2 channels	1	3	5	7
4 channels	1	5	9	13



**INFORMATION DISPLAYED DURING INITIAL POWER ON**  
 When the fixture is initially powered ON, the display shows the following information:

Software Update Please Wait ... ADJ SOFTWARE V1.0 1A	
MENU	OPTIONS / VALUES
DMX MODE ADDR: 001	001- 512
CHANNNEL 4CH	1/2/4CH
Slave	
LOOK Store:01	01- 13
Reset ? NO	
Manual W 000- 255 S 000- 255	
Dim Curve Standard	Standard Stage TV Architec Theatre Stage 2
NO DMX Hold	Blackout Hold LOOK
Unit Temp	C/F
Temp Val	xxx F
AUTOLOCK	OFF/ON
IR Active	OFF/ON
Flip Display	OFF/ON

**System Menu:** When making adjustments press **ENTER** to confirm your setup then press and hold the **MENU** button for at least 3 seconds. To exit without making any adjustments press the **MENU** button. The display will lock after 30 seconds, press the **MENU** button for 3 seconds to unlock.

## **DMX MODE - DMX Address Setting.**

1. Press the either the **MENU**, **UP**, or **DOWN** buttons until “**DMX MODE**” is displayed, press **ENTER**.
2. The current address will now be displayed and flashing. Press the **UP** or **DOWN** buttons to find your desired address. Press **ENTER** to set your desired DMX address.

## **CHANNEL - This will let you select your desired DMX channel mode.**

1. Press the either the **MENU** button until “**CHANNEL**” is displayed, press **ENTER**. The current DMX channel mode will be displayed.
2. Press the **UP** or **DOWN** buttons to find your desired DMX channel mode and press **ENTER** to confirm and exit.

## **SLAVE - This will let you set the unit as the slave in a master/slave configuration.**

1. Press the **MENU** button until “**SLAVE**” is displayed, press **ENTER**.

## **LOOK - In this mode you can run a show mode.**

1. Press the **MENU** button until “**LOOK**” is displayed, press **ENTER**.
2. Use the **UP** or **DOWN** buttons to find your desired mode.

## **RESET - This function will return the unit to its default settings.**

1. Press the the **MENU** button until “**RESET**” is displayed and press **ENTER**.
2. The display will show either “**NO**” or “**YES**”. Press the **UP** or **DOWN** buttons so that “**YES**” is displayed. Press **ENTER** and the unit will reset back to default settings.

## **MANUAL - This function will allow you to manually adjust the LED output intensity and strobe rate.**

1. Press the **MENU** button until “**MANUAL**” is displayed, press **ENTER**.
2. Using the **UP** or **DOWN** buttons scroll to the Strobe setting and press **ENTER**. Use the **UP** or **DOWN** buttons to set the strobe setting to “255”, and press **ENTER** again
3. After you have set the strobe setting to “255”, press the **UP** or **DOWN** buttons so that **W:XXX** is displayed and press **ENTER**. Now use the **UP** or **DOWN** buttons to adjust the output intensity.
4. If you would like the unit to strobe, scroll back to the strobe setting and press **ENTER**. Use the **UP** or **DOWN** buttons to adjust the strobe rate. Press **ENTER** once you have found your desired strobe rate. The strobe settings follow the strobe settings in DMX control mode.

**DimCurve** - This will let select your desired dimmer curve.

1. Press the MENU button until “**DimCurve**” is displayed, and press ENTER. 1 of 6 dimmer curves will be displayed. “**STANDARD**”, “**STAGE**”, “**TV**”, “**ARCHITEC**” (Architectural), “**THEATRE**” or “**STAGE 2**”. See the dimmer curve chart on page 17 for more info.
2. Press the UP or DOWN buttons to find your desired dimmer curve and press ENTER to confirm.

**NO DMX** - This mode can be used as a precaution mode, that in case the DMX signal is lost, interrupted, or power is lost, the operating mode chosen in the setup is the running mode the fixture will go into when the DMX signal is lost. You can also set this as the operating mode you would like the unit to return to when power is applied.

1. Press the MENU button until “**NO DMX**” is displayed, and either “**Look**”, “**Blackout**”, or “**Hold**” will be displayed beneath.
2. Press ENTER and the bottom choice will begin to flash. Use the UP or DOWN buttons to choose an operating mode you would like the unit to start up in when power is applied or the DMX signal is lost.
  - **Look** - If the DMX signal is lost or power is applied, the unit will automatically run a built-in show.
  - **Blackout** - If the DMX signal is lost or interrupted, the unit will automatically go into stand by mode.
  - **Hold** - If the DMX signal is lost the fixture will stay in the last DMX setting. If power is applied and this mode is set, the unit will automatically go into the last DMX set up.
3. Press ENTER to confirm your desired set up.

**Unit Temp** - With this function you can switch the temperature display to show either Celsius or Fahrenheit.

1. Press the MENU button until “**Unit Temp**” is displayed, press ENTER.
2. Use the UP or DOWN buttons to switch between Celsius or Fahrenheit. Press ENTER to select your desired setting.

**Temp Val** - With this function you can check the temperature of the fixture.

1. Press the MENU button until “**Temp Val**” is displayed, press ENTER.
2. The fixture temperature will now be displayed. Press MENU to exit.

**AUTOLOCK** - With this function you can have the keys lock off after 10 seconds of no use.

1. Press the MENU button until “**AUTOLOCK**” is displayed, press ENTER.
2. The display will show either “**ON**” or “**OFF**”. Press the UP or DOWN buttons to select “**ON**” to have the keys lock after 10 seconds, or “**OFF**” so that the keys will remain unlocked.
3. Press ENTER to confirm.

**IR Active** - With this function you can activate the IR function and use the UC IR or Airstream app to control the unit.

1. Press the MENU button until “**IR Active**” is displayed, press ENTER.
2. The display will show either “**ON**” or “**OFF**”. Press the UP or DOWN buttons to select “**ON**” to activate IR function, or “**OFF**” to turn off the IR function.
3. Press ENTER to confirm. See page 14 for the IR controls.

**Flip Display** - This function will reverse the display 180°.

1. Press the either the MENU button until “**Flip Display**” is displayed, press ENTER.
2. The display will show either “**ON**” or “**OFF**”. Press the UP or DOWN buttons to select “**ON**” to flip the display, or “**OFF**” to keep the display normal.
3. Press ENTER to confirm.

**Master-Slave Operation** This function will allow you to link up to 16 units together and operate without a controller. In a Master-Slave set up, one unit will act as the controlling unit and the others will react to the controlling units programs. Any unit can act as a Master or as a Slave.

1. Using approved DMX data cables, daisy chain your units together via the XLR connector on the rear of the units. Remember the Male XLR connector is the input and the Female XLR connector is the output. The first unit in the chain (master) will use the female XLR connector only - The last unit in the chain will use the male XLR connector only. For longer cable runs we suggest a terminator at the last fixture.
2. On the Master unit find your desired operating mode.
3. On the slave units press the MENU button until “**Slave**” is displayed.
4. The slave units will now follow the Master unit.

The **ADJ UC IR** (not included) infrared remote gives you control of various functions (See below). To control the Saber Spot DTW you must aim the remote at the front of the fixture and be no more than 30 feet away. To use the ADJ UC IR you must first activate the fixtures infrared sensor, to activate the sensor please see the instructions on page 13.

The **ADJ Airstream IR** remote transmitter (not included) plugs into the headphone jack of your iOS phone or tablet. To control your IR fixture you must raise the volume to the maximum on your iOS phone or tablet and aim the transmitter at the fixture sensor and be no more than 15 feet away. After you have purchased the Airstream IR transmitters, the app is a free download from the app store for your iOS phone or tablet. The app comes with 3 pages of control depending on the fixture you are using. Please see below for IR functions including the corresponding app page.

**Works with App page 1****STAND BY**

Pressing this button will blackout the fixture. Press the button again to return to the initial state.

**FULL ON**

Press this button down to fully light up the unit. Releasing this button to return the unit to its last mode of operation.

**FADE/GOBO**

This button activates built-in effect mode. Continue to press this button to switch through the different shows.

**DIMMER “+” and DIMMER “-”**

Use these buttons to adjust the output intensity.

**STROBE**

Press and hold this button to activate strobing.

**COLOR**

This button is invalid for this fixture.

**1-9**

These buttons are invalid for this fixture.

**SOUND ON & OFF**

These buttons are invalid for this fixture.

**SHOW 0**

This button is invalid for this fixture.

**Saber Spot DTW** **1 Channel Mode**

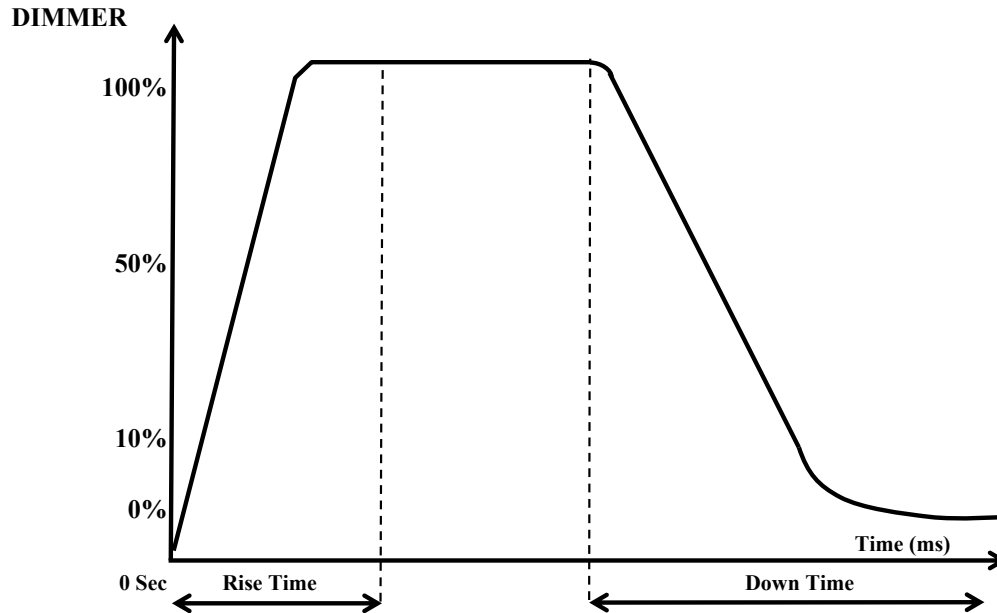
Channel	Value	Function
1	0 - 255	WHITE 0% - 100%

**Saber Spot DTW** **2 Channel Mode**

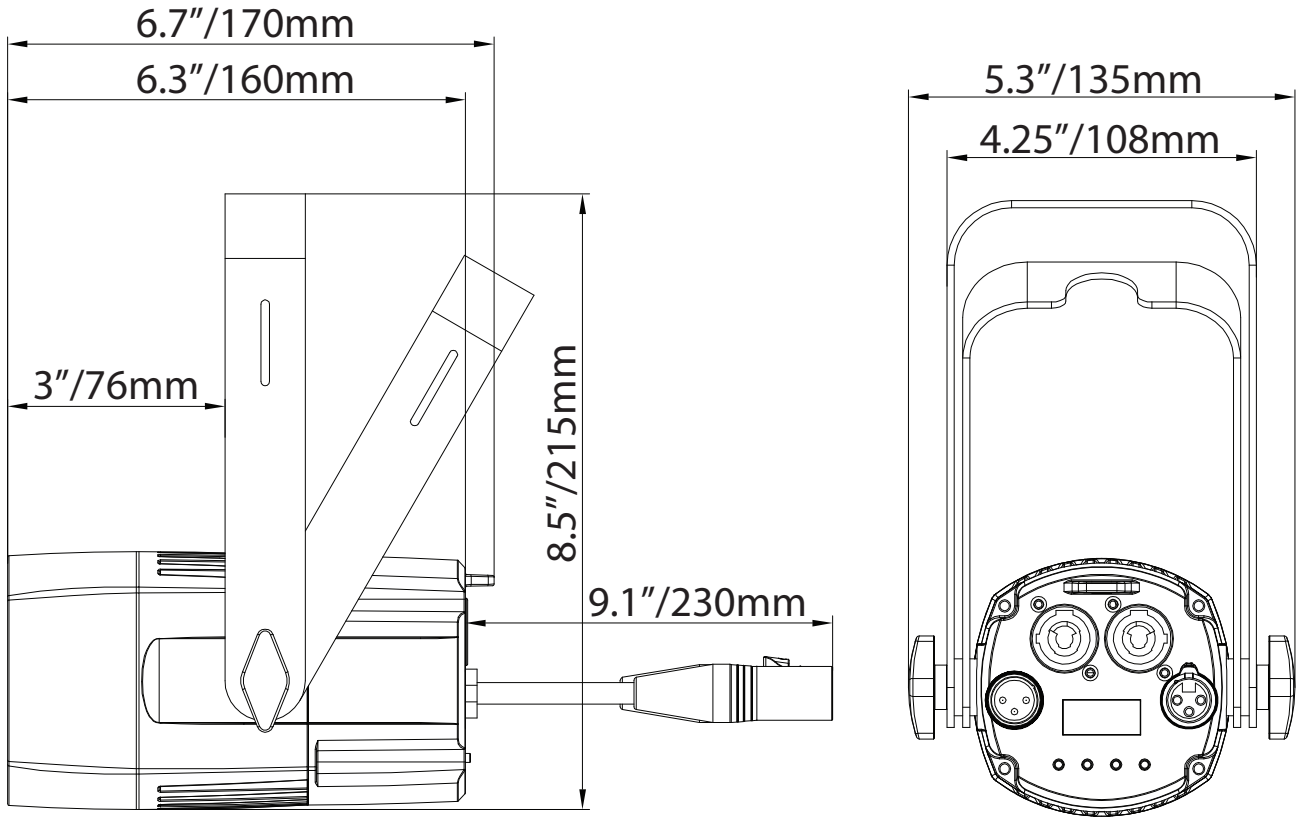
Channel	Value	Function
1	0 - 255	WHITE 0% - 100%
2	0 - 31	STROBING LED OFF
	32 - 63	LED ON
	64 - 95	STROBING SLOW - FAST
	96 - 127	LED ON
	128 - 159	PULSE STROBING SLOW - FAST
	160 - 191	LED ON
	192 - 223	RANDOM STROBING SLOW - FAST
	224 - 255	LED ON



<b>Channel</b>	<b>Value</b>	<b>Function</b>
1	0 - 255	WHITE 0% - 100%
2	0 - 255	WHITE FINE 0% - 100%
3	0 - 31 32 - 63 64 - 95 96 - 127 128 - 159 160 - 191 192 - 223 224 - 255	STROBING LED OFF LED ON STROBING SLOW - FAST LED ON PULSE STROBING SLOW - FAST LED ON RANDOM STROBING SLOW - FAST LED ON
4	0 - 20 21 - 40 41 - 60 61 - 80 81 - 100 101 - 120 121 - 255	DIMMER CURVES STANDARD STAGE TV ARCHITECTURAL THEATRE STAGE 2 DEFAULT TO UNIT SETTING



Dimming Curve Ramp Effect	0 sec Fade Time		1 sec Fade Time	
	Rise Time (ms)	Down Time (ms)	Rise Time (ms)	Down Time (ms)
Standard (default)	0	0	0	0
Stage	780	1100	1540	1660
TV	1180	1520	1860	1940
Architectural	1380	1730	2040	2120
Theatre	1580	1940	2230	2280
Stage 2	0	1100	0	1660



## Saber Spot DTW

## Unit Power Linking

*You can connect the fixtures to one another using the powerCON input and output sockets. The maximum Saber Spot DTWs that can be connected together is: 33 fixtures @ 120V and 71 fixtures @ 240V. After the maximum connected fixtures you will need to use a new power outlet. NOTE: USE CAUTION WHEN POWER LINKING OTHER FIXTURES TO THE SABER SPOT DTW AS THE POWER CONSUMPTION OF OTHER LIGHTING FIXTURES WILL VARY!*

## Saber Spot DTW

## Trouble Shooting

Listed below are a few common problems the user may encounter, with solutions.

### ***Unit not responding to DMX:***

1. Check that the DMX cables are connected properly and are wired correctly (pin 3 is “hot”; on some other DMX devices pin 2 may be ‘hot’). Also, check that all cables are connected to the right connectors; it does matter which way the inputs and outputs are connected.

## Saber Spot DTW

## Cleaning

Due to fog residue, smoke, and dust cleaning the internal and external optical lenses must be carried out periodically to optimize light output.

1. Use normal glass cleaner and a soft cloth to wipe down the outside casing.
2. Clean the external optics with glass cleaner and a soft cloth every 20 days.
3. Always be sure to dry all parts completely before plugging the unit back in. Cleaning frequency depends on the environment in which the fixture operates (i.e. smoke, fog residue, dust, dew).

**MANUFACTURER'S LIMITED WARRANTY**

- A. ADJ Products, LLC hereby warrants, to the original purchaser, ADJ Products, LLC products to be free of manufacturing defects in material and workmanship for a prescribed period from the date of purchase (see specific warranty period on reverse). This warranty shall be valid only if the product is purchased within the United States of America, including possessions and territories. It is the owner's responsibility to establish the date and place of purchase by acceptable evidence, at the time service is sought.
- B. For warranty service you must obtain a Return Authorization number (RA#) before sending back the product—please contact ADJ Products, LLC Service Department at 800-322-6337. Send the product only to the ADJ Products, LLC factory. All shipping charges must be pre-paid. If the requested repairs or service (including parts replacement) are within the terms of this warranty, ADJ Products, LLC will pay return shipping charges only to a designated point within the United States. If the entire instrument is sent, it must be shipped in its original package. No accessories should be shipped with the product. If any accessories are shipped with the product, ADJ Products, LLC shall have no liability whatsoever for loss of or damage to any such accessories, nor for the safe return thereof.
- C. This warranty is void if the serial number has been altered or removed; if the product is modified in any manner which ADJ Products, LLC concludes, after inspection, affects the reliability of the product; if the product has been repaired or serviced by anyone other than the ADJ Products, LLC factory unless prior written authorization was issued to purchaser by ADJ Products, LLC; if the product is damaged because not properly maintained as set forth in the instruction manual.
- D. This is not a service contract, and this warranty does not include maintenance, cleaning or periodic check up. During the period specified above, ADJ Products, LLC will replace defective parts at its expense with new or refurbished parts, and will absorb all expenses for warranty service and repair labor by reason of defects in material or workmanship. The sole responsibility of ADJ Products, LLC under this warranty shall be limited to the repair of the product, or replacement thereof, including parts, at the sole discretion of ADJ Products, LLC. All products covered by this warranty were manufactured after August 15, 2012, and bear identifying marks to that effect.
- E. ADJ Products, LLC reserves the right to make changes in design and/or improvements upon its products without any obligation to include these changes in any products theretofore manufactured.

No warranty, whether expressed or implied, is given or made with respect to any accessory supplied with products described above. Except to the extent prohibited by applicable law, all implied warranties made by ADJ Products, LLC in connection with this product, including warranties of merchantability or fitness, are limited in duration to the warranty period set forth above. And no warranties, whether expressed or implied, including warranties of merchantability or fitness, shall apply to this product after said period has expired. The consumer's and/or Dealer's sole remedy shall be such repair or replacement as is expressly provided above; and under no circumstances shall ADJ Products, LLC be liable for any loss or damage, direct or consequential, arising out of the use of, or inability to use, this product.

This warranty is the only written warranty applicable to ADJ Products, LLC Products and supersedes all prior warranties and written descriptions of warranty terms and conditions heretofore published.

**MANUFACTURER'S LIMITED WARRANTY PERIODS:**

**Non L.E.D. Lighting Products = 1-year (365 days) Limited Warranty** (Such as: Special Effect Lighting, Intelligent Lighting, UV lighting, Strobes, Fog Machines, Bubble Machines, Mirror Balls, Par Cans, Trussing, Lighting Stands etc. excluding LED and lamps)

**Laser Products = 1 Year (365 Days) Limited Warranty** (excludes laser diodes which have 6 month limited warranty)

**L.E.D. Products = 2-year (730 days) Limited Warranty** (excluding batteries which have a 180 day limited warranty)

**Note: 2 Year Warranty only applies to purchases within the United States.**

**StarTec Series = 1 Year Limited Warranty** (excluding batteries which have a 180 day limited warranty).

**ADJ DMX Controllers = 2 Year (730 Days) Limited Warranty**

**Specifications**

Voltage:	100V ~ 240V/50~60Hz
LEDs:	1 x 17W LED's
Working Position:	Any safe working position
Power Draw:	24W
Power Linking:	33 Fixtures Max. @ 120V 71 Fixtures Max. @ 240V
Weight:	2.65 lbs./ 1.2 Kgs.
Dimensions (Par):	6.7" (L) x 5.3" (W) x 8.5" (H) 170 x 135 x 215mm
Colors:	Warm White & Amber
DMX Modes:	1 / 2 / 4
Warranty:	2 Year (730 days)

**Please Note:** Specifications and improvements in the design of this unit and this manual are subject to change without any prior written notice.

**Follow Us On:**



[facebook.com/americanadj](https://facebook.com/americanadj)

[twitter.com/americanadj](https://twitter.com/americanadj)

[youtube.com/adjlighting](https://youtube.com/adjlighting)

ADJ Products, LLC  
6122 S. Eastern Ave. Los Angeles, CA 90040 USA  
Tel: 323-582-2650 / Fax: 323-582-2941  
[www.adj.com](http://www.adj.com) / [info@americanadj.com](mailto:info@americanadj.com)

A.D.J. Supply Europe B.V.  
Junostraat 2  
6468 EW Kerkrade  
The Netherlands  
[www.adj.eu](http://www.adj.eu) / [support@adjgroup.eu](mailto:support@adjgroup.eu)  
Tel: +31 45 546 85 00 / Fax: +31 45 546 85 99