


Antari
2021 PRODUCT GUIDE



Products are manufactured by Antari Lighting & Effects Ltd. : www.antari.com
For information requests please contact us at : sales@antari.com D08Z20210



2021 PRODUCT GUIDE



All of our effects are inspired by **Mother Nature**.
All of our machines are **designed to respect her**.

COMPANY PROFILE

Since 1984, Antari has been a leading global manufacturer, specializing in atmospheric special effects, like fog, haze, and snow for a wide range of international live and broadcast venues, festivals, corporate events, theatre, concerts, clubs, theme parks, archtainment, and houses of worship. Antari has always pursued the perfect fog, with some of the most stringent quality control standards in the entertainment production industry.

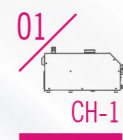
Antari's R&D expertise, including an in-house team of engineers and designers, along with modern production facilities, and strict attention to detail allows Antari to continually create new and exciting cutting-edge special effects, while always being mindful of environmental concerns to also create the safest and most energy-efficient products possible. Our products are designed and manufactured to conform to all international safety standards such as CE, LVD, and EMC.

Antari products are also widely used in residential/commercial security, pest control, industrial humidity control, horticultural uses, hospital sterilization, and leak detection.

Antari, an innovative leader in entertainment special effects, exceeding customer expectations since 1984.

CONTENTS

C02 Series



Z & Z-II Series

- 03 Z-800II
- 04 Z-1000II
- 04 Z-1200II
- 05 Z-1500II
- 05 Z-3000II
- 06 Z-350
- 07 Z-390
- 07 Z-1020
- 08 Z-1520

M Series

- 09 M-4
- 10 M-5
- 10 M-7X
- 11 M-8
- 11 M-9
- 12 M-10
- 12 M-11

Faze Series

- 13 F-1
- 14 F-4
- 14 F-7

Haze Series

- 15 HZ-100
- 16 HZ-350
- 16 HZ-400
- 17 HZ-500
- 17 HZ-1000

W Series

- 18 W-508
- 19 W-510
- 19 W-515D
- 20 W-530D
- 20 B-101
- 21 W-715

IP Series

- 22 IP-1000
- 22 IP-1500

Low Fog Series

- 23 DNG-100
- 23 ICE-101
- 24 DNG-200
- 24 DNG-250

MB Series

- 25 MB-1
- 26 MB-20X
- 26 MB-55

Snow & Foam Series

- 27 S-100X
- 27 S-200X
- 28 SW-250
- 29 SW-300
- 30 S-500
- 31 S-120

Bubble Series

- 32 B-100
- 32 B-200

AF Effects Fan

- 33 AF-3
- 34 AF-4
- 34 AF-5X

Fire Training

- 35 FT-20X
- 35 FT-50, FT-55
- 36 FT-100
- 36 FT-200

Accessories / Fluid

- 38 LCU-2S
- 38 LCU-1S
- 39 Control Module
- Remote
- 44 Hanging Bracket Sets
- Adaptor
- 45 Flight Case
- 46 Fluid

DarkFX

- 53 Strip 1020
- 54 Wash 2000IP
- 55 Wash 2000
- 56 Spot 670
- 57 Strip 510
- 58 Strip 510IP

Spot

- 59 Spot 510IP
- 60 Spot 1750
- 61 Drive 4MKII
- 62 Drive 4

Specification

- 63 Antari Watch
- 64 Spec Chart

Limited Edition

CONTENTS

ANTARI BRAND NEW

CO₂ Series

CH-1
CINEMA HAZE



CH-1 Cinema Haze Machine



- Input voltage AC 100-240V, 50/60Hz 6A
- Rated power 120V 700W
240V 1250W
- Warm-up time 8 minutes (approx)
- Fluid consumption 2 ml/min @40 psi / 2.76 bar
- Fluid tank capacity 2.5 Liters (0.66 gallon)
- Compatible fluid Antari CHL-2 Haze Fluid
- Gas type CO₂, N₂
- Gas pressure range 50 – 60psi / 3.4 bar – 4.1bar
- Gas consumption 0.36 Kg / hr @ 40 psi
0.18 Kg / hr @ 20psi
- Control interface TFT LCD Touch Screen
- Ambient temp/ range 0°C – 40°C (32°F – 104°F)
- Control Manual, Timer, DMX 512
Wireless DMX (Optional)
- DMX channels 1 / 3 / 5 channel
- Connection Neutirk TRUE 1 Connector (Power)
XLR 3-pin and 5-pin (DMX)
9/16 -18 R.H (Gas inlet)
- Optional Accessories W-DMX-PCBR
FCH-1 Flight Case
- Dimension L 579 W 164 H 311 mm
(L 22.79 W 6.46 H 12.25 inch)
- Weight 17 kg (37.48 lbs)



Z & Z-II

Antari®



CONFORMS TO ANSI/UL STD.499 CERTIFIED TO CSA STD. C22.2 NO.64

Z-800II Mobility and Portability Fog Machine

Patent No. (CHINA) ZL2005300662269.1

- Input voltage US model : AC 100-120V, 50/60HZ 6.7A
EU model : AC 220-240V, 50/60Hz 3.5A
- Rated power 800W
- Warm-up time 2 minutes (approx.)
- Fluid consumption 13 ml/min
- Fluid tank capacity 0.8 Liters (0.21 gallon)
- Compatible fluid Antari FLG Heavy Fog Fluid
Antari FLR Light Fog Fluid
- Operating time 60 mins at max. output
- Ambient temp. range 0°C - 40°C (32°F - 104°F)
- Control Manual
Timer (Optional)
Wireless (Optional)
- Optional accessories Z-40 Cable Timer Remote
Z-50 Wireless Remote
- Dimension L 315 W 128 H 218 mm
(L 12.40 W 5.04 H 8.58 inch)
- Weight 3.5 kg (7.71 lbs)



CONFORMS TO ANSI/UL STD.499 CERTIFIED TO CSA STD. C22.2 NO.64

Z-1000II Fog Machine

Patent No. (CHINA) ZL201230637638.8 ZL200530066270.4
(TAIWAN) 476300

- Input voltage US model : AC 100-120V, 50/60Hz 9A
EU model : AC 220-240V, 50/60Hz 4.5A
- Rated power 120V 1000W
240V 1050W
- Warm-up time 6 minutes (approx.)
- Fluid consumption 56 ml/min
- Fluid tank capacity 1.7 Liters (0.45 gallon)
- Compatible fluid Antari FLG Heavy Fog Fluid
Antari FLR Light Fog Fluid
- Ambient temp. range 0°C - 40 °C (32°F - 104°F)
- Control Manual, DMX 512
Timer (Optional)
Wireless (Optional)
- DMX channels 1 channel
- Connection IEC (Power)
XLR 3-pin (DMX)
- Optional accessories Z-40 Cable Timer Remote
Z-50 Wireless Remote
- Dimension L 433 W 198 H 214 mm
(L 17.05 W 7.80 H 8.43 inch)
- Weight 6.6 kg (14.55 lbs)



CONFORMS TO ANSI/UL STD.499 CERTIFIED TO CSA STD. C22.2 NO.64

Z-1200II Fog Machine

Patent No. (CHINA) ZL201230637638.8 ZL200530066268.7
(TAIWAN) 476300

- Input voltage US model : AC 100-120V, 50/60Hz 10A
EU model : AC 220-240V, 50/60Hz 5.5A
- Rated power 120V 1200W
240V 1300W
- Warm-up time 10 minutes (approx.)
- Fluid consumption 72 ml/min
- Fluid tank capacity 2.5 Liters (0.66 gal)
- Compatible fluid Antari FLG Heavy Fog Fluid
Antari FLR Light Fog Fluid
- Ambient temp. range 0°C - 40 °C (32°F - 104°F)
- Control Manual, DMX 512, Timer
Wireless (Optional)
- DMX channels 1 channel
- Connection XLR 3-pin (DMX)
- Optional accessories Z-9 Wireless Remote
- Dimension L 458 W 243 H 251 mm
(L 18.03 W 9.57 H9 .88 inch)
- Weight 10.9 kg (24.03 lbs)

II-Z & Z | 04



CONFORMS TO
ANSI/UL STD.499
CERTIFIED TO
CSA STD.
C22.2 NO.64

Z-1500II Fog Machine

Patent No. (CHINA) (Z-1500II) ZL200530066266.8

- Input voltage US model : AC100-120V, 50/60Hz 12.5A
EU model : AC 220-240V, 50/60Hz 6.3A
- Rated power 1500W
- Warm-up time 10 minutes (approx.)
- Fluid consumption 110 ml/min
- Fluid tank capacity 6 Liters (1.59 gallon)
- Compatible fluid Antari FLG Heavy Fog Fluid
Antari FLR Light Fog Fluid
- Ambient temp. range 0°C - 40 °C (32°F - 104°F)
- Control Manual, DMX 512, Timer
Wireless (Optional)
- DMX channels 1 channel
- Connection XLR 3-pin and 5-pin (DMX)
- Optional accessories Z-30 Pro Wireless Remote
- Dimension L 688 W 285 H 257 mm
(L 27.09 W 11.22 H 10.12 inch)
- Weight 14 kg (30.86 lbs)



Z-3000II Fog Machine

- Input voltage EU model : AC 220-240V, 50/60Hz 11A
- Rated power 2500W
- Warm-up time 12 minutes (approx.)
- Fluid consumption 200 ml/min
- Fluid tank capacity 6 Liters (1.59 gallon)
- Compatible fluid Antari FLG Heavy Fog Fluid
Antari FLR Light Fog Fluid
- Ambient temp. range 0°C - 40 °C (32°F - 104°F)
- Control Manual, DMX 512, Timer
Wireless (Optional)
- DMX channels 1 channel
- Connection XLR 3-pin and 5-pin (DMX)
- Optional accessories Z-30 Pro Wireless Remote
- Dimension L 735 W 310 H 269 mm
(L 28.94 W 12.20 H 10.59 inch)
- Weight 19.9 kg (43.87 lbs)



CONFORMS TO
ANSI/UL STD.499
CERTIFIED TO
CSA STD.
C22.2 NO.64

Z-350 Fazer

Patent No. (USA) D699,318 (CHINA) ZL201230637638.8
(EUR) 002181610-001 (TAIWAN) D156272

- Input voltage US model : AC 100-120V, 50/60Hz 6A
EU model : AC 220-240V, 50/60Hz 3.15A
- Rated power 120V 700W
240V 750W
- Warm-up time 4.5 minutes (approx.)
- Fluid consumption 3 ml/min
- Fluid tank capacity 1.3 Liters (0.34 gallon)
- Compatible fluid Antari FLG Heavy Fog Fluid
- Operating time 7 hrs at max. output
- Ambient temp. range 0°C - 40°C (32°F - 104°F)
- Control Manual, DMX 512
- DMX channels 2 channels
- Connection IEC (Power)
XLR 3-pin (DMX)
- Optional accessories Z-3 Cable Remote
FZ-350 Flight Case
- Dimension L 320 W 153 H 391 mm
(L 12.60 W 6.02 H 15.39 inch)
- Weight 8.5 kg (18.74 lbs)



Z-390 Fazer

- Input voltage US model : AC 100-120V, 50/60Hz 8.5A
EU model : AC 220-240V, 50/60Hz 6.5A
- Rated power 120V 1000W
240V 1450W
- Warm-up time 1.5 minutes (approx.)
- Fluid consumption 8 ml/min
- Fluid tank capacity 4 Liters (1.06 gallon)
- Compatible fluid Antari FLG-4 Heavy Fog Fluid
- Operating time 8 hrs at max. output
- Ambient temp. range 0°C - 40°C (32°F - 104°F)
- Control Manual, DMX 512, Timer
Wireless (Optional)
- DMX channels 2 channels
- Connection IEC (Power)
XLR 3-pin and 5-pin (DMX)
- Optional accessories Z-3 Cable Remote
WTR-20 Wireless Remote
- Dimension L 368 W 277.7 H 267.4 mm
(L 14.49 W 10.93 H 10.53 inch)
- Weight 9.45 kg (20.83 lbs)



CONFORMS TO
ANSI/UL STD.499
CERTIFIED TO
CSA STD.
C22.2 NO.64

Z-1020 Two-Way Fog Jet

Patent No. (CHINA) ZL200530066267.2

- Input voltage US model : AC 100-120V, 50/60Hz 9A
EU model : AC 220-240V, 50/60Hz 4.5A
- Rated power 1000W
- Warm-up time 13 minutes (approx.)
- Fluid consumption 90 ml/min
- Fluid tank capacity 2.4 Liters (0.63 gallon)
- Compatible fluid Antari FLC Super Light Fog Fluid
Antari FLR Light Fog Fluid
- Ambient temp. range 0°C - 40 °C (32°F - 104°F)
- Output 5 meters height
- Control Manual, DMX512
Timer (Optional)
Wireless (Optional)
- DMX channels 1 channel
- Connection IEC (Power)
XLR 3-pin (DMX)
- Optional accessories Z-40 Cable Timer Remote
Z-50 Wireless Remote
FX- 4 Flight Case
- Dimension L 408 W 295 H 199 mm
(L 16.06 W 11.61 H 7.83 inch)
- Weight 9.8 kg (21.61 lbs)



Z-1520 RGB Two-Way Fog Jet

Patent No. (CHINA) ZL201210471041.X ZL201220615399.0
(TAIWAN) M448321 537058

- Input voltage US model : AC 100-120V, 50/60Hz 13.5A
EU model : AC 220-240V, 50/60Hz 7A
- Rated power 1600W
- Light source 22 X 3W LED (8 Red, 7 Green, 7 Blue)
- Warm-up time 5 minutes (approx.)
- Fluid consumption 150 ml/min
- Fluid tank capacity 2.4 Liters (0.63 gallon)
- Compatible fluid Antari FLC Super Light Fog Fluid
- Ambient temp. range 0°C - 40 °C (32°F - 104°F)
- Output 6 meters height
- Control Manual, Timer, DMX 512
Master / Slave, Wireless
- DMX channels 8 channels
- Connection Neutrik Powercon (Power)
XLR 3-pin and 5-pin (DMX)
- Optional accessories FX-4 Flight Case
- Dimension L 418 W 295 H 210 mm
(L 16.46 W 11.61 H 8.27 inch)
- Weight 10.4 kg (22.93 lbs)

STAGE FOGGER



M-4 Stage Fog Jet

Patent No. (CHINA) ZL201210471041.X ZL201220615399.0
(TAIWAN) M448321 537058

- Input voltage US model : AC 100-120V, 50/60Hz 12.7A
EU model : AC 220-240V, 50/60Hz 6.4A
- Rated power 1520W
- Warm-up time 5 minutes (approx.)
- Fluid consumption 120 ml/min
- Fluid tank capacity 2.4 Liters (0.63 gallon)
- Compatible fluid Antari FLC Super Light Fog Fluid
- Ambient temp. range 0°C - 40°C (32°F - 104°F)
- Output 6 meters height
- Control Manual, Timer, DMX 512
Wireless (Optional)
Wireless DMX (Optional)
- DMX channels 1 channel
- Connection Neutrik Powercon (Power)
XLR 3-pin and 5-pin (DMX)
- Optional accessories W-DMX-PCBR Wireless DMX
WTR-30 Wireless Remote
WTR-100 Wireless DMX and Remote
- Dimension L 344 W 193 H 381 mm
(L 13.54 W 7.60 H 15 inch)
- Weight 11 kg (24.25 lbs)



M-5 Stage Fog Machine

Patent No. (TAIWAN) 363449 099885 D155178

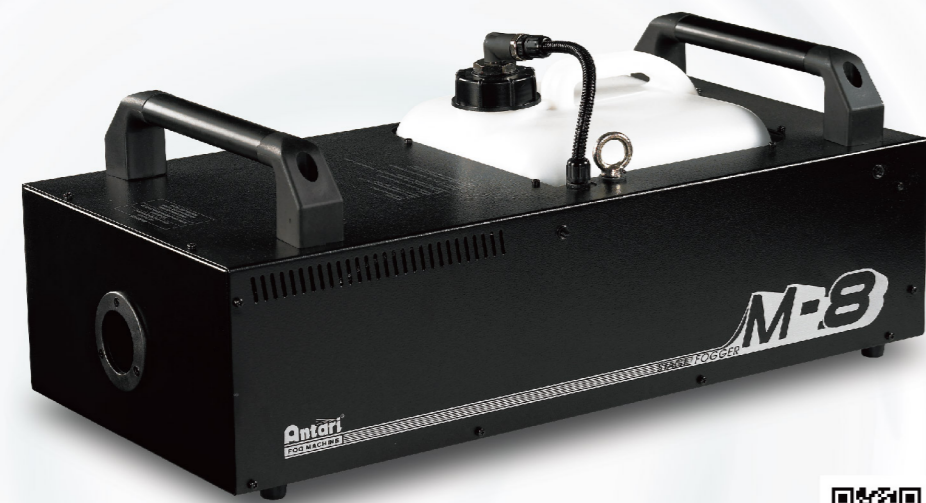
- Input voltage US model : AC 100-120V, 50/60Hz 12.5A
EU model : AC 220-240V, 50/60Hz 6.6A
- Rated power 1500W
- Warm-up time 8 minutes (approx.)
- Fluid consumption 160 ml/min
- Fluid tank capacity 10 Liters (2.64 gallon)
- Compatible fluid Antari FLG-10 Heavy Fog Fluid
Antari FLR-10 Light Fog Fluid
- Ambient temp. range 0°C - 40°C (32°F - 104°F)
- Control Manual, Timer, DMX512
Wireless (Optional)
- DMX channels 1 channel
- Connection Neutrik Powercon (Power)
XLR 3-pin and 5-pin (DMX)
- Optional accessories M-30 Pro Wireless Control Module
FX-5 Flight Case
M-5-HB Hanging Bracket
- Dimension L 668 W 320 H 276 mm
(L 26.30 W 12.60 H 10.87 inch)
- Weight 15.5 kg (34.17 lbs)



M-7X RGB Stage Fog Jet

Patent No. (CHINA) ZL201210471041.X ZL201220615399.0
(TAIWAN) M448321 537058

- Input voltage US model : AC 100-120V, 50/60Hz 13A
EU model : AC 220-240V, 50/60Hz 6.5A
- Rated power 1516W
- Light source 22 X 3W LED (5Red, 6Green, 6Blue, 5Amber)
- Warm-up time 7 minutes (approx.)
- Fluid consumption 200 ml/min
- Fluid tank capacity 2.4 Liters (0.63 gallon)
- Compatible fluid Antari FLC Super Light Fog Fluid
- Ambient temp. range 0°C - 40°C (32°F - 104°F)
- Output 10 meters height
- Control Manual, Timer, DMX 512,
Master / Slave, Wireless
Wireless DMX (Optional)
- DMX channels 9 channels
- Connection Neutrik TRUE 1 Connector (Power)
XLR 3-pin and 5-pin (DMX)
- Optional accessories WTR-90 Wireless DMX
- Dimension L 346 W 193 H 383 mm
(L 13.62 W 7.6 H 15 inch)
- Weight 14 kg (30.8 lbs)



M-8 Stage Fog Machine

Patent No. (TAIWAN) 363449 099885 D155178

- Input voltage US model : AC 100-120V, 50/60Hz 14.2A
EU model : AC 220-240V, 50/60Hz 7.4A
- Rated power 1700W
- Warm-up time 9.5 minutes (approx.)
- Fluid consumption 240 ml/min
- Fluid tank capacity 10 Liters (2.64 gallon)
- Compatible fluid Antari FLG-10 Heavy Fog Fluid
Antari FLR-10 Light Fog Fluid
- Ambient temp. range 0°C - 40°C (32°F - 104°F)
- Control Manual, Timer, DMX 512
Wireless (Optional)
- DMX channels 1 channel
- Connection Neutrik Powercon (Power)
XLR 3-pin and 5-pin (DMX)
- Optional accessories M-31 Wireless Control Module
FX-5 Flight Case
M-5-HB Hanging Bracket
- Dimension L 690 W 320 H 298 mm
(L 27.17 W 12.60 H 11.73 inch)
- Weight 22 kg (48.5 lbs)



M-9 RGBAW Stage Fog Jet

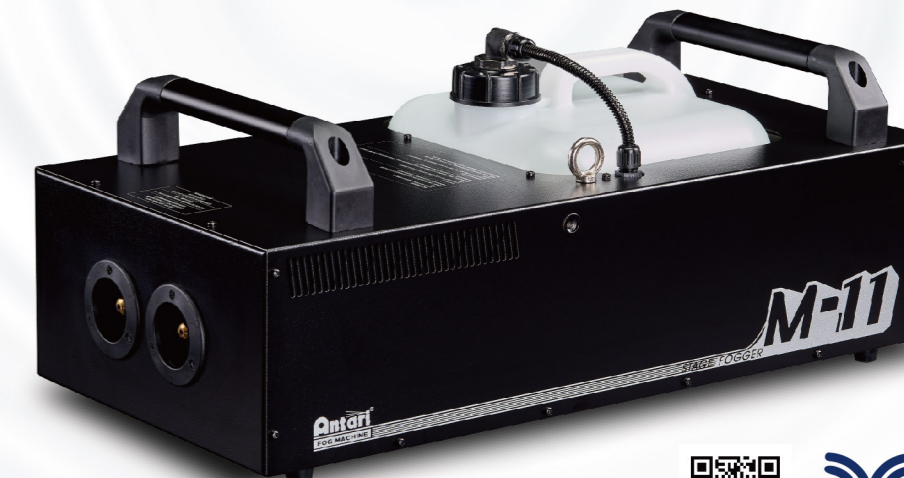
- Input voltage US model : AC 100-120V, 50/60Hz 15.2A
EU model : AC 220-240V, 50/60Hz 7.6A
- Rated power 1820W
- Light Source 27 x 8W LED (5-in-1 LED)
- Warm-up time 14 minutes (approx.)
- Fluid consumption 400 ml/min (100% output)
- Fluid tank capacity 6 Liters (1.59 gallon)
- Compatible fluid Antari FLC-6 Super Light Fog Fluid
- Ambient temp / range 0°C - 40°C (32°F - 104°F)
- Output 10 meters height
- Control Manual, Timer, DMX 512,
Master / Slave, Wireless
Wireless DMX (Optional)
- DMX channels 10 / 15 / 25 channels
- Connection Neutrik TRUE 1 Connector (Power)
XLR 3-pin and 5-pin (DMX)
- Optional accessories WTR-90 Wireless DMX
- Dimension L 393 W 321 H 420 mm
(L 15.47 W 12.63 H 16.53 inch)
- Weight 25 kg (55.1 lbs)



M-10 Stage Fog Machine

Patent No. (TAIWAN) 363449 099885 D155178

- Input voltage EU model : AC 220-240V, 50 / 60Hz 13A
- Rated power 3000W
- Warm-up time 9.5 minutes (approx.)
- Fluid consumption 250 ml/min
- Fluid tank capacity 10 Liters (2.64 gallon)
- Compatible fluid Antari FLG-10 Heavy Fog Fluid
Antari FLR-10 Light Fog Fluid
- Ambient temp. range 0°C - 40°C (32°F - 104°F)
- Control Manual, Timer, DMX512
Wireless (Optional)
- DMX channels 1 channel
- Connection Neutrik Powercon (Power)
XLR 3-pin and 5-pin (DMX)
- Optional accessories M-30 Pro Wireless Control Module
FX-5 Flight Case
- Dimension L 690 W 320 H 298 mm
(L 27.17 W 12.60 H 11.73 inch)
- Weight 21 kg (46.30 lbs)



M-11 Dual Output Stage Fog Machine

- Input voltage US model : AC 100-120V, 50/60Hz 13.3A
EU model : AC 220-240V, 50/60Hz 6.67A
- Rated power 1600W
- Warm-up time 13 minutes (approx)
- Fluid consumption 400 ml/min (100% output)
- Fluid tank capacity 10 Liters (2.64 gallon)
- Compatible fluid Antari FLG-10 Heavy Fog Fluid
Antari FLR-10 Light Fog Fluid
Antari FLZ-10 Long Hang Time Fog Fluid
- Ambient temp/ range 0°C - 40°C (32°F - 104°F)
- Control Manual, Timer, DMX 512
Wireless (Optional)
Wireless DMX (Optional)
- DMX channels 1 or 3 channels
- Connection Neutrik TRUE 1 Connector (Power)
XLR 3-pin and 5-pin (DMX)
- Optional accessories W-DMX-PCBR Wireless DMX
WTR-20 Wireless
WTR-70 Wireless DMX and Remote
WTR-80 Wireless
WTR-90 Wireless DMX
FX-5 Flight Case
- Dimension L 675 W 320 H 285 mm
(L 26.57 W 12.6 H 11.22 inch)
- Weight 25 kg (55.1 lbs)



F-1 Fazer

Patent No. (TAIWAN) 518188 D157441 537058

- Input voltage US model : AC 100-120V, 50 / 60Hz 6.8A
EU model : AC 220-240V, 50 / 60Hz 3.5A
- Rated power 800W
- Warm-up time 4.5 minutes (approx)
- Fluid consumption 8.5 ml/min
- Fluid tank capacity 2.4 Liters (0.63 gallon)
- Compatible fluid Antari FLG Heavy Fog Fluid
- Operating time 4.5 hrs at max. output
- Ambient temp. range 0°C - 40°C (32°F - 104°F)
- Control Manual, DMX512, Timer
Wireless (Optional)
Wireless DMX (Optional)
- DMX channels 2 channels
- Connection Neutrik Powercon (Power)
XLR 3-pin and 5-pin (DMX)
- Optional accessories W-DMX-PCBR Wireless DMX 512
WTR-10 Wireless Remote
WTR-40 Wireless DMX 512 and Remote
WTR-50 Wireless Remote
WTR-60 Wireless DMX 512
- Dimension L 618 W 275 H 327 mm
(L 24.33 W 10.83 H 12.87 inch)
- Weight 14.1 kg (31.09 lbs)



F-4 Fazer

- Input voltage US model : AC 100-120V, 50 / 60Hz 12.5A
EU model : AC 220-240V, 50 / 60Hz 6.3A
- Rated power 1450W
- Warm-up time 1 minutes (approx.)
- Fluid consumption 6.7 ml/min
- Fluid tank capacity 5 Liters (1.32 gallon)
- Compatible fluid Antari FLG-5E Heavy Fog Fluid
- Operating time 12 hrs at max. output
- Ambient temp. range 0°C - 40°C (32°F - 104°F)
- Control Manual, DMX512, Timer
Wireless DMX (Optional)
- DMX channels 2 channels
- Connection XLR 3-pin and 5-pin (DMX)
- Optional accessories W-DMX-PCBR Wireless DMX
- Dimension L 545 W 458 H 285 mm
(L 21.46 W 18.03 H 11.22 inch)
- Weight 20.3 kg (44.75 lbs)



F-7 Smaze

Patent No. (CHINA) ZL201210471041.X ZL201220615399.0
(TAIWAN) 363449 099885 D155178 M448321

- Input voltage US model : AC 100-120V, 50/60Hz 13.5A
EU model : AC 220-240V, 50/60Hz 7A
- Rated power 1600W
- Warm-up time 8 minutes (approx.)
- Fluid consumption Fog mode : 140 ml/min
Faze mode : 28 ml/min
- Fluid tank capacity 5 Liters (1.32 gallon)
- Compatible fluid Antari FLG-5E Heavy Fog Fluid
- Operating time Faze mode : 2.8 hrs at max. output
- Ambient temp. range 0°C - 40°C (32°F - 104°F)
- Control Manual, DMX512, Timer, Wireless DMX
- DMX channels 3 channels
- Connection Neutrik Powercon (Power)
XLR 3-pin and 5-pin (DMX)
- Dimension L 728 W 428 H 719 mm
(L 28.66 W 16.85 H 28.31 inch)
- Weight 52.5 kg (115.74 lbs)



HAZER



HZ-100 Haze Machine

Patent No. (TAIWAN) 278419 302767

- Input voltage US model : AC 100-120V, 50/60Hz 1.5A
EU model : AC 220-240V, 50/60Hz 0.8A
- Rated power 180W
- Fluid consumption 0.7 ml/min
- Fluid tank capacity 2.5 Liters (0.66 gallon)
- Compatible fluid Antari HZL Haze Fluid
- Operating time 60 hrs at max. output
- Ambient temp. range 0°C - 40°C (32°F-104°F)
- Control Manual
Timer (Optional)
Wireless (Optional)
- Connection IEC (Power)
- Optional accessories HC-1 Cable Timer Remote
HCR-1 Wireless Remote
- Dimension L 484 W 250 H 294 mm
(L 19.06 W 9.84 H 11.57 inch)
- Weight 12 kg (26.46 lbs)



HZ-350 Haze Machine

Patent No. (TAIWAN) 278419 302767

- Input voltage US model : AC 100-120V, 50/60Hz 3.25A
EU model : AC 220-240V, 50/60Hz 1.7A
- Rated power 390W
- Fluid consumption 0.8 ml/min
- Fluid tank capacity 2.5 Liters (0.66 gallon)
- Compatible fluid Antari HZL Haze Fluid
- Operating time 52 hrs at max. output
- Ambient temp. range 0°C - 40°C (32°F - 104°F)
- Control Manual, Timer, DMX, Wireless
- DMX channels 1 channel
- Connection IEC (Power)
XLR 5-pin (DMX)
- Optional accessories HC-1 Cable Timer Remote
- Dimension L 492 W 273 H 315 mm
(L 19.37 W 10.75 H 12.40 inch)
- Weight 14.2 kg (31.31 lbs)



HZ-400 Haze Machine

Patent No. (TAIWAN) 278419 302767

- Input voltage US model : AC 100-120V, 50/60Hz 3.92A
EU model : AC 220-240V, 50/60Hz 2A
- Rated power 470W
- Fluid consumption 1.1 ml / min
- Fluid tank capacity 2.5 Liters (0.66 gallon)
- Compatible fluid Antari HZL Haze Fluid
- Operating time 37 hrs at max. output
- Ambient temp. range 0°C - 40°C (32°F - 104°F)
- Control Manual, Timer, DMX
Wireless (Optional)
- DMX channels 1 channel
- Connection IEC (Power)
XLR 3-pin (DMX)
- Optional accessories HCR-1 Wireless Remote
- Dimension L 500 W 320 H 319 mm
(L 19.69 W 12.60 H 12.56 inch)
- Weight 18.5 kg (40.79 lbs)



CONFORMS TO ANSI/UL STD.499 CERTIFIED TO CSA STD. C22.2 NO.64

HZ-500 Haze Machine

Patent No. (TAIWAN) 278419 302767

- Input voltage US model : AC 100-120V, 50/60Hz 4.2A
EU model : AC 220-240V, 50/60Hz 2A
- Rated power 120V 500W
240V 480W
- Fluid consumption 1.1 ml/min
- Fluid tank capacity 2.5 Liters (0.66 gallon)
- Compatible fluid Antari HZL Haze Fluid
- Operating time 37 hrs at max. output
- Ambient temp. range 0°C - 40°C (32°F - 104°F)
- Control Manual, Timer, DMX 512
- DMX channels 1 channel
- Connection IEC (Power)
XLR 5-pin (DMX)
- Dimension L 490 W 351 H 338 mm
(L 19.29 W 13.82 H 13.31 inch)
- Weight 31.5 kg (69.45 lbs)



HZ-1000 Haze Machine

- Input voltage US model : AC 100-120V, 50/60Hz 9.6A
EU model : AC 220-240V, 50/60Hz 4.8A
- Rated power 1150W
- Fluid consumption 2.2 ml/min
- Fluid tank capacity 6.4 Liters (1.69 gallon)
- Compatible fluid Antari HZL Haze Fluid
- Operating time 40 hrs max. output
- Ambient temp. range 0°C - 40°C (32°F - 104°F)
- Control Manual, Timer, DMX 512
Wireless DMX (Optional)
- DMX channels 2 channels
- Connection Neutrik TRUE 1 Connector (Power)
XLR 3-pin and XLR 5-pin (DMX)
- Optional accessories W-DMX-PCBR Wireless DMX
- Dimension L 690 x W 510 x H 610 mm
(L 27.16 x W 20.07 x H 24.01 inch)
- Weight 74.6 kg (164.46 lbs)



WIRELESS CONTROL



CONFORMS TO ANSI/UL STD.499 CERTIFIED TO CSA STD. C22.2 NO.64

W-508 Wireless Control Fog Machine

- Input voltage US model : AC 100-120V, 50/60Hz 6.7A
EU model : AC 220-240V, 50/60Hz 3.5A
- Rated power 800W
- Warm-up time 2 minutes (approx.)
- Fluid consumption 13 ml/min
- Fluid tank capacity 0.8 Liters (0.21 gallon)
- Compatible fluid Antari FLG Heavy Fog Fluid
Antari FLR Light Fog Fluid
- Operating time 60 mins at max. output
- Ambient temp. range 0°C - 40°C (32°F - 104°F)
- Control Manual, Wireless
- Dimension L 315 W 128 H 218 mm
(L 12.40 W 5.04 H 8.58 inch)
- Weight 3.8 kg (8.38 lbs)



CONFORMS TO
ANSI/UL STD.499
CERTIFIED TO
CSA STD.
C22.2 NO.64

W-510 Wireless Control Fog Machine

- Input voltage US model : AC 100-120V, 50/60Hz 8.5A
EU model : AC 220-240V, 50/60Hz 4.5A
- Rated power 120V 1000W
240V 1070W
- Warm-up time 13 minutes (approx.)
- Fluid consumption 90 ml/min
- Fluid tank capacity 2.8 Liters (0.74 gallon)
- Compatible fluid Antari FLG Heavy Fog Fluid
Antari FLR Light Fog Fluid
- Operating time 30 mins at max. output
- Ambient temp. range 0°C - 40°C (32°F - 104°F)
- Control DMX512, Wireless
- DMX channels 1 channel
- Connection IEC (Power)
XLR 3-pin (DMX)
- Optional accessories W-510-HB Hanging Bracket
- Dimension L 487 W 250 H 223 mm
(L 19.17 W 9.84 H 8.78 inch)
- Weight 11.4 kg (25.13 lbs)



W-515D Wireless & WDMX Control Fog Machine

Patent No. (CHINA) ZL201210471041.X Z1L201220615399.0
(TAIWAN) M448321

- Input voltage US model : AC 100-120 V, 50/60 Hz 9A
EU model : AC 220-240 V, 50/60 Hz 4.5A
- Rated power 1500W
- Warm-up time 10 minutes (approx.)
- Fluid consumption 100 ml/min
- Fluid tank capacity 6 Liters (1.59 gallon)
- Compatible fluid Antari FLG-6 Heavy Fog Fluid
Antari FLR-6 Light Fog Fluid
- Ambient temp. range 0°C - 40°C (32°F - 104°F)
- Control Manual, Timer, DMX 512,
Wireless, Wireless DMX
- DMX channels 1 channel
- Connection Neutrik Powercon (Power)
XLR 3-pin and 5-pin (DMX)
- Optional accessories FX-5 Flight case
W-515-HB Hanging Bracket
- Dimension L 561 W 278 H 265 mm
(L 22.09 W 10.94 H 10.43 inch)
- Weight 14.5 kg (31.97 lbs)



W-530D Wireless & WDMX Control Fog Machine

Patent No. (CHINA) ZL201210471041.X Z1L201220615399.0
(TAIWAN) M448321

- Input voltage EU model : AC 220-240V, 50/60Hz 4.5A
- Rated power 2570W
- Warm-up time 12 minutes (approx.)
- Fluid consumption 160 ml/min
- Fluid tank capacity 6 Liters (1.59 gallon)
- Compatible fluid Antari FLG-6 Heavy Fog Fluid
Antari FLR-6 Light Fog Fluid
- Ambient temp. range 0°C - 40°C (32°F - 104°F)
- Control Manual, Timer, DMX 512
Wireless, Wireless DMX
- DMX channels 1 channel
- Connection Neutrik Powercon (Power)
XLR 3-pin and 5-pin (DMX)
- Optional accessories FX-5 Flight case
W-515-HB Hanging Bracket
- Dimension L 581 W 278 H 265 mm
(L 22.87 W 10.94 H 10.43 inch)
- Weight 19.1 kg (42.11 lbs)



W-101 Wireless Control Bubble Machine

Patent No. (CHINA) ZL201030229414.4

- Input voltage US model : AC 100-120V, 50/60Hz 0.25A
EU model : AC 220-240V, 50/60Hz 0.13A
- Rated power 30W
- Fluid consumption 8.3 ml/min
- Fluid tank capacity 0.7 Liters (0.18 gallon)
- Compatible fluid Antari BL Bubble Fluid
- Operating time 1.4 hrs at max. output
- Ambient temp. range 5 °C - 40 °C (41°F-104 °F)
- Control Manual, Wireless
- Dimension L 350 W 170 H 217 mm
(L 13.78 W 6.69 H 8.54 inch)
- Weight 4.8 kg (10.58 lbs)



W-715 Fog Jet

Patent No. (CHINA) ZL201210471041.X ZL201220615399.0
(TAIWAN) M448321 537058

- Input voltage US model : AC 100-120V, 50/60Hz 14A
EU model : AC 220-240V, 50/60Hz 7A
- Rated power 1680W
- Warm-up time 7.5 minutes (approx.)
- Fluid consumption 300 ml/min
- Fluid tank capacity 2.4 Liters (0.63 gallon)
- Compatible fluid Antari FLC Super Light Fog Fluid
- Ambient temp. range 0 °C - 40 °C (32 °F-104 °F)
- Output 8 meters height
- Control Manual, Timer, DMX 512, Wireless
- DMX channels 1 channel
- Connection Neutrik Powercon (Power) XLR 3-pin and 5-pin (DMX)
- Optional accessories FX-4 Flight case
- Dimension L 448 W 295 H 210 mm
(L 17.64 W 11.61 H 8.27 inch)
- Weight 15.5 kg (34.17 lbs)



IP-1000 IP-Rated Fog Machine

Patent No. (TAIWAN) M400357 D142035

- Input voltage US model : AC 100-120V, 50/60Hz 9A
EU model : AC 220-240V, 50/60Hz 4.5A
- Rated power 1070W
- Warm-up time 11.5 minutes (approx.)
- Fluid consumption 90 ml/min
- Compatible fluid Antari FLG Heavy Fog Fluid
Antari FLR Light Fog Fluid
- Ambient temp. range 0°C - 40°C (32°F - 104°F)
- Control Manual
- Dimension L 355 W 249 H 203 mm
(L 13.98 W 9.80 H 7.99 inch)
- Weight 8.8 kg (19.40 lbs)



IP-1500 IP-Rated Fog Machine

Patent No. (TAIWAN) M400357 D142035

- Input voltage US model : AC 100-120V, 50/60Hz 13A
EU model : AC 220-240V, 50/60Hz 6.5A
- Rated power 1550W
- Warm-up time 9 minutes (approx.)
- Fluid consumption 100 ml/min
- Compatible fluid Antari FLG Heavy Fog Fluid
Antari FLR Light Fog Fluid
- Ambient temp. range 0°C - 40°C (32°F - 104°F)
- Control Manual, Timer, DMX 512, Wireless
- DMX channels 1 channel
- Connection XLR 5-pin (DMX)
- Dimension L 465 W 222 H 250 mm
(L 18.31 W 8.74 H 9.84 inch)
- Weight 13.5 kg (29.76 lbs)





DNG-100 Fog Cooler

Patent No. (TAIWAN) 113549

- Input voltage US model : AC 100-120V, 50/60Hz
EU model : AC 220-240V, 50/60Hz
- Rated power 120V 750W
240V 600W
- Refrigerant 120V R- 404A , 1.39LB (0.63 Kg)
240V R- 404A , 1.39LB (0.63 Kg)
- Start Current 120V / 61A
240V / 21A
- Rated Current 120V / 6.7A
240V / 3.2 A
- Ambient temp.range 5°C - 40°C (41°F - 104°F)
- Control On/Off switch control
- Optional accessories FTA-1, FTA-2A, FTA-3, FTA-11
- Dimension L 784 W 608 H 479 mm
(L30.86 W 23.93 H 18.85 inch)
- Weight 72 kg (158.73 lbs)

ICE-101 ICE Fog Machine

Patent No. (TAIWAN) 518189 540418

- Input voltage US model : AC 100-120V, 50/60Hz 9.5A
EU model : AC 220-240V, 50/60Hz 5A
- Rated power 1130W
- Warm-up time 4.5 minutes (approx.)
- Fluid consumption 25 ml/min
- Fluid tank capacity 2.5 Liters (0.66 gallon)
- Compatible fluid Antari FLL Low Fog Effects Fluid
Antari FLC Super Light Fog Fluid
Antari FLR Light Fog Fluid
- Ambient temp. range 0°C - 40°C (32°F - 104°F)
- Output 43 m2 / min
- Control Manual, Timer, DMX 512
- DMX channels 1 channel
- Connection IEC (Power)
XLR 3-pin (DMX)
- Included accessories Z-8 Cable Timer Remote
- Dimension L 660 W 355 H 443 mm
(L 25.98 W 13.98 H 17.44 inch)
- Weight 24.4 kg (53.79 lbs)



DNG-200 Low Fog Generator

- Input voltage US model : AC 100-120V, 50/60Hz
EU model : AC 220-240V, 50/60Hz
- Refrigerant 120V R- 404A , 1.98LB (0.9Kg)
240V R- 404A , 1.98LB (0.9Kg)
- Start current 120V / 61A
240V / 21A
- Rated power 120V / 6.7A
240V / 3.2A
- Fog power consumption 120V / 1400W 12A
240V / 2500W 10.5A
- Warm-up time 120V / 24 minutes (approx)
240V / 12 minutes (approx)
- Fluid consumption 100 ml/min
- Fluid tank capacity 10 Liters (2.64 gallon)
- Compatible fluid Antari FLL-10 Low Fog Effects Fluid
- Ambient temp.range 5°C - 40°C (41°F - 104°F)
- Output 80 m2 / min
- Control Manual, Timer, DMX 512
- DMX channels 1 channel
- Optional Accessories FDNG-250 Flight Case
L 780 W 608 H 715 mm
(L30.7 W 23.93 H 28.15 inch)
- Dimension
- Weight 120 kg (264.55 lbs)

DNG-250 Low Fog Generator

- Input voltage US model : AC 100-120V, 50/60Hz
EU model : AC 220-240V, 50/60Hz
- Refrigerant 120V R- 404A , 1.76LB (0.8Kg)
240V R- 404A , 1.76LB (0.8Kg)
- Start current 120V / 77.4A
240V / 36.1A
- Rated power 120V / 14.2A
240V / 6.5A
- Fog power consumption 120V / 1600W 13.5A
240V / 1600W 6.8A
- Warm-up time 6 minutes (approx.)
- Fluid consumption 100 ml/min
- Fluid tank capacity 10 Liters (2.64 gallon)
- Compatible fluid Antari FLL-10 Low Fog Effects Fluid
- Ambient temp.range 5°C - 40°C (41°F - 104°F)
- Output 120 m2 / min
- Control Manual, Timer, DMX 512
- DMX channels 1 channel
- Connection Neutrik Powercon (Power)
XLR 3-pin and 5-pin (DMX)
- Optional Accessories FDNG-250 Flight Case
L 780 W 608 H 715 mm
(L 30.7 W 23.93 H 28.15 inch)
- Dimension
- Weight 130 kg (286.6 lbs)



BATTERY POWERED



MB-1 Mobile Fog Machine

- Input voltage DC 12V (Battery)
AC 100-240V, 50/60Hz (Battery charger)
- Rated power 75W
- Warm-up time 1 second (approx.)
- Fluid consumption 1.1 ml/min (MAX Output)
- Fluid tank capacity 110 ml (0.03 gallon)
- Compatible fluid Antari FLM-05S Fog Fluid
- Ambient temp/ range 0°C - 40°C (32°F - 104°F)
- Control Manual
Timer (Optional)
Wireless (Optional)
- Optional accessories DCP-12 Power Adaptor and Dummy Battery
MCT-2 Cable Timer Remote
MCR-1F Wireless Remote
- Dimension L 228 W 66 H 112 mm
(L 8.98 W 2.60 H 4.41 inch)
- Weight 1 kg (without Battery) (2.2 lbs)
1.8 kg (with Battery) (3.97 lbs)



MB-20X Mobile Fog Machine

- Input voltage DC 12V (Battery)
AC 100 - 240V, 50/60Hz (Battery charger)
- Rated power 600W
- Warm-up time 1 second (approx.)
- Fluid consumption 16 ml/min
- Fluid tank capacity 0.4Liter (0.11 gallon)
- Compatible fluid Antari FLM-05P Fog Fluid
- Ambient temp. range 0°C - 40°C (32°F - 104°F)
- Control Manual, DMX512
Wireless (Optional)
Cable Remote (Optional)
- DMX channels 1 channel
- Connection XLR 3-pin (DMX)
Z-3 Cable Remote
- Optional accessories WTR-20 Wireless Remote
MB-20S Power Base
- Dimension L 293 W 108 H 238 mm
(L 11.54 W 4.25 H 9.37 inch)
- Weight 8.5 kg (18.74 lbs)



MB-55 Mobile Fog Machine

- Input voltage US model : AC 100-120V, 50/60Hz 12A
EU model : AC 220-240V, 50/60Hz 6A
- Rated power 1450W
- Warm-up time 7.5 minutes (approx.)
- Fluid consumption 110 ml/min
- Compatible fluid Antari FLP-700 Aerosol
- Ambient temp. range 0°C - 40°C (32°F - 104°F)
- Control Manual
IEC (Power)
- Connection FCR-1 Wireless Remote (For AF-5XR Only)
- Dimension L346 W152 H251 mm
(L13.62 W5.98 H9.88 inch)
- Weight 10.2 kg (22.49 lbs)



S-100X Snow Machine

- Input voltage US model : AC 100-120V, 50/60Hz 7.5A
EU model : AC 220-240V, 50/60Hz 3.8A
- Rated power 880W
- Fluid consumption 160 ml/min
- Fluid tank capacity 5 Liters (1.32 gallon)
- Compatible fluid Antari SL-5 Snow Foam Fluid
Antari SL-5A Snow Foam Fluid
Antari SL-5N Snow Foam Fluid
Antari SL-5AN Snow Foam Fluid
Antari SL-5H Snow Foam Fluid
Antari SL-5C Snow Foam Fluid
- Ambient temp. range 5°C - 40°C (41°F - 104°F)
- Control Manual, DMX 512
- DMX channels 1 channel
- Connection IEC (Power)
XLR 3-pin (DMX)
- Optional accessories SW-300-FB Floor Bracket
- Dimension L 505 W 276 H 310 mm
(L 19.88 W 10.87 H 12.2 inch)
- Weight 11 kg (24.25 lbs)



S-200X Snow Machine

- Patent No. (TAIWAN) 309095 M444496 I487558
- Input voltage US model : AC 100-120V, 50/60Hz 7.5A
EU model : AC 220-240V, 50/60Hz 3.8A
 - Rated power 880W
 - Fluid consumption 140 ml/min
 - Fluid tank capacity 5 Liters (1.32 gallon)
 - Compatible fluid Antari SL-5 Snow Foam Fluid
Antari SL-5A Snow Foam Fluid
Antari SL-5N Snow Foam Fluid
Antari SL-5AN Snow Foam Fluid
Antari SL-5H Snow Foam Fluid
Antari SL-5C Snow Foam Fluid
 - Ambient temp. range 5°C - 40°C (41°F - 104°F)
 - Control Manual, DMX 512
 - DMX channels 1 channel
 - Connection IEC (Power)
XLR 3-pin (DMX)
 - Optional accessories SW-300-FB Floor Bracket
 - Dimension L 505 W 276 H 310 mm
(L 19.88 W 10.87 H 12.20 inch)
 - Weight 11.5 kg (25.35 lbs)

SW-250 & SW-250X Wireless Snow Machine

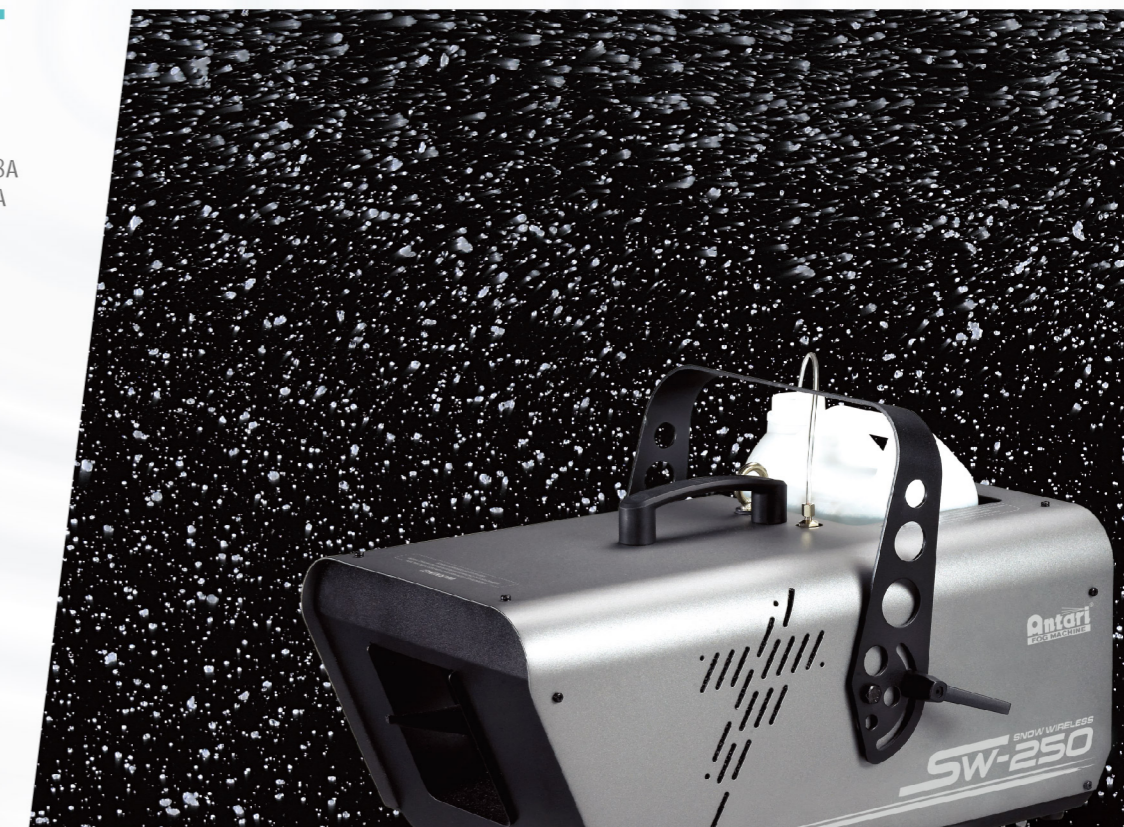
Patent No. (TAIWAN) 309095 M444496 I487558

SW-250 Specification

- Input voltage US model : AC 100-120V, 50/60Hz 10.8A
EU model : AC 220-240V, 50/60Hz 3.8A
- Rated power 1290W
240V 880W
- Fluid consumption 140 ml/min
- Fluid tank capacity 5 Liters (1.32 gallon)
- Compatible fluid Antari SL-5 Snow Foam Fluid
Antari SL-5A Snow Foam Fluid
Antari SL-5N Snow Foam Fluid
Antari SL-5AN Snow Foam Fluid
Antari SL-5H Snow Foam Fluid
Antari SL-5C Snow Foam Fluid
- Ambient temp. range 5°C - 40°C (41°F - 104°F)
- Control Manual, Timer,
DMX 512, Wireless
- DMX channels 1 channel
- Connection IEC (Power)
XLR 5-pin (DMX)
- Optional accessories SC-2 Cable Remote
SW-300-FB Floor Bracket
- Dimension L 539 W 276 H 310 mm
(L 21.22 W 10.87 H 12.20 inch)
- Weight 11.5 kg (25.35 lbs)

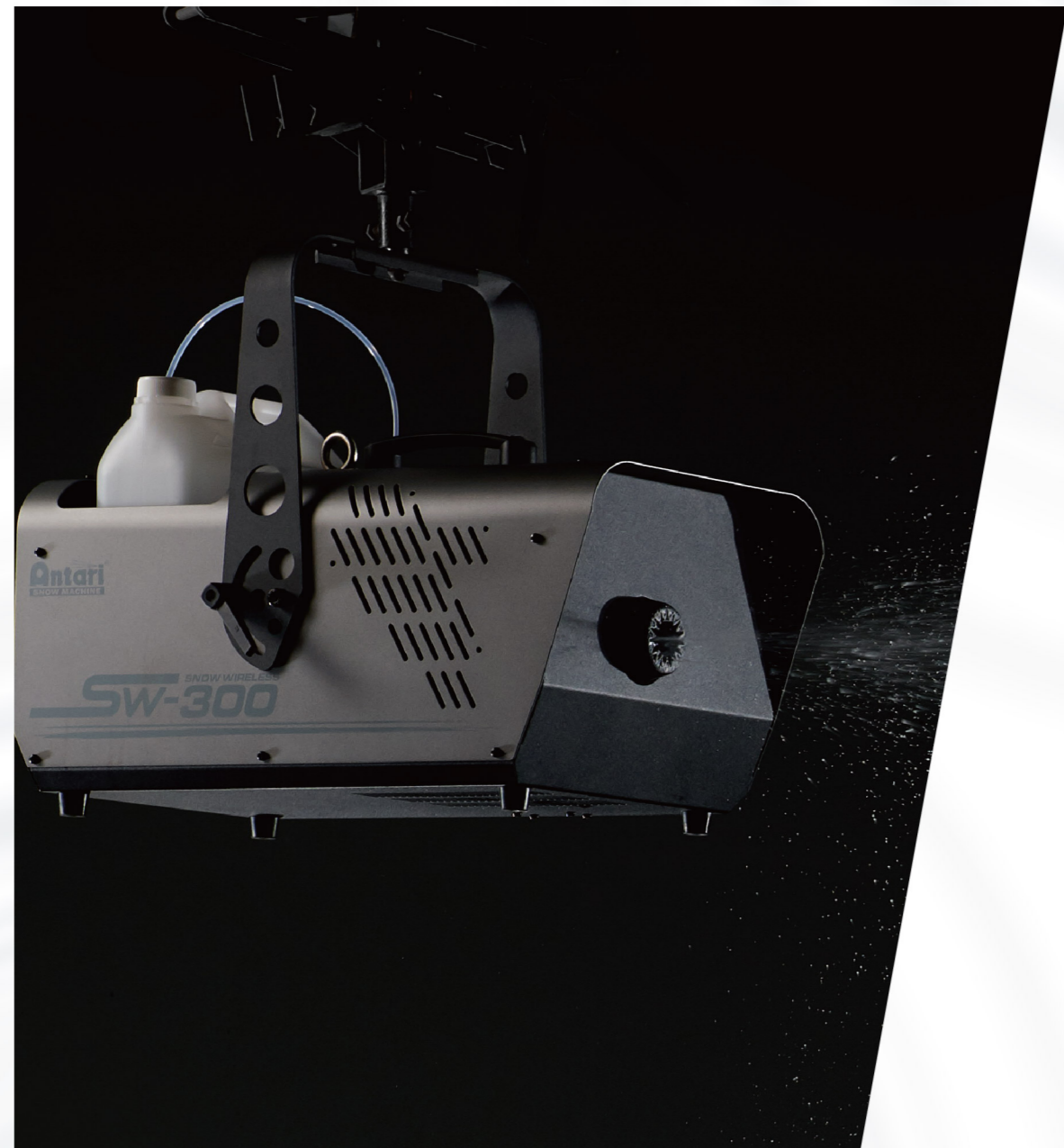
SW-250X Specification

- Optional accessories WTR-10 Wireless Remote
SC-2 Cable Remote
SW-300-FB Floor Bracket



CONFORMS TO
ANSI/UL STD.73
CERTIFIED TO
CAN/CSA STD.
C22.2 NO.68-09





SW-300 Snow Machine



- Input voltage US model : AC 100-120V, 50/60Hz 7.5A
EU model : AC 220-240V, 50/60Hz 3.8A
- Rated power 880W
- Fluid consumption 280 ml/min (100% output)
- Fluid tank capacity 5 Liters (1.32 gallon)
- Compatible fluid Antari SL-5N Snow Foam Fluid
Antari SL-5AN Snow Foam Fluid
Antari SL-5H Snow Foam Fluid
Antari SL-5C Snow Foam Fluid
- Ambient temp / range 5°C - 40°C (41°F - 104°F)
- Control Manual, Timer, DMX 512, Wireless
- DMX channels 2 channels
- Connection IEC(POWER)
XLR 5-pin (DMX)
- Optional accessories SC-3 Cable Remote
SW-300-FB Floor Bracket
- Dimension L 500 W 276 H 311.8 mm
(L19.68 W 10.87 H 12.27 inch)
- Weight 11.5 kg (25.35 lbs)

S-500 & S-500L Snow Machine

Patent No. (USA) US9696080B2
(CHINA) ZL201520868201.3
(TAIWAN) M515900 104135697

- Input voltage US model : AC 100-120V, 50/60Hz 7.5A
EU model : AC 220-240V, 50/60Hz 3.8A
- Rated power 120V 900W
240V 890W
- Fluid consumption 400 ml/min
- Fluid tank capacity 20 Liters (5.28 gallon)
- Compatible fluid Antari SL-20N Snow Foam Fluid
Antari SL-20AN Snow Foam Fluid
Antari SL-20H Snow Foam Fluid
Antari SL-20C Snow Foam Fluid
- Ambient temp. range 5°C - 40°C (41°F - 104°F)
- Control Manual, Timer, DMX 512
Wireless (Optional)
Wireless DMX (Optional)
- DMX channels 2 channels
- Connection Neutrik Powercon (Power)
XLR 3-pin and 5-pin (DMX)
- Optional accessories W-DMX-PCBR Wireless DMX 512
WTR-20 Wireless Remote
WTR-70 Wireless DMX 512 and Remote
WTR-80 Wireless Remote
WTR-90 Wireless DMX
SC-3 Cable Remote
ST-10 10 Meter Extension Hose
PM-1 Pan Motor
- Dimension L 592 W 551 H 651 mm
(L 23.31 W 21.69 H 25.63 inch)
- Weight 37.2 kg (82.01 lbs)

S-500L Specification

- Dimension L 803 W 603 H 651 mm
(L 31.61 W 23.74 H 25.63 inch)
- Weight 46.4 kg (102.29 lbs)



CONFORMS TO
ANSI/UL STD.73
CERTIFIED TO
CAN/CSA STD.
C22.2 NO.68-09





S-120 Foam Machine

- Input voltage	US model : AC 100-120V, 50/60Hz 7.5A EU model : AC 220-240V, 50/60Hz 3.8A
- Rated power	880W
- Fluid consumption	350 ml/min
- Fluid tank capacity	5 Liter (1.32 gallon)
- Compatible fluid	Antari SL Snow Foam Fluid
- Operating time	14 mins at max. output
- Ambient temp. range	5°C - 40°C (41°F - 104°F)
- Control	Manual
- Connection	IEC (Power)
- Dimension	L 600 W 260 H 300 mm (L 23.62 W 10.24 H 11.8 inch)
- Weight	12 kg (26.46 lbs)



B-100 / B-100X Bubble Machine

- Input voltage	US model : AC 100-120V, 50/60Hz 0.25A EU model : AC 220-240V, 50/60Hz 0.13A
- Rated power	120V 30W 240V 32W
- Fluid consumption	8.3 ml/min
- Fluid tank capacity	0.7 Liters (0.18 gallon)
- Compatible fluid	Antari BL Bubble Fluid
- Operating time	1.4 hrs at max. output
- Ambient temp. range	5°C - 40°C (41°F - 104°F)
- Control	Manual Timer (Optional) Wireless (Optional)
- Optional accessories	Z-10 Cable Remote (B-100X) BCT-1 Timer Remote (B-100X) BCR-1 Wireless Remote (B-100X)
- Dimension	L 341 W 170 H 217 mm (L 13.43 W 6.69 H 8.54 inch)
- Weight	4.2 kg (9.26 lbs)



CONFORMS TO
ANSI/UL STD. 73
CERTIFIED TO
CAN/CSA STD.
C22.2 NO. 68-09



B-200 High Output Bubble Machine

- Input voltage	US model : AC 100-120V, 50/60Hz 1A EU model : AC 220-240V, 50/60Hz 0.5A
- Rated power	120W
- Fluid consumption	50 ml/min
- Fluid tank capacity	2 Liters (0.53 gallon)
- Compatible fluid	Antari BL Bubble Fluid
- Operating time	40 mins at max. output
- Ambient temp. range	5°C - 40°C (41°F - 104°F)
- Control	Manual, DMX 512 Timer (Optional) Wireless (Optional)
- DMX Channels	1 channel
- Connection	IEC (Power) XLR 5-pin (DMX)
- Optional accessories	BCT-1 Timer Remote BCR-1 Wireless Remote
- Dimension	L 421 W 250 H 213 mm (L 16.57 W 9.84 H 8.39 inch)
- Weight	11 kg (24.25 lbs)



WIND



AF-3 / AF-3X Effects Fan

- Input voltage	US model : AC 100-120V, 50/60Hz 1.1A EU model : AC 220-240V, 50/60Hz 0.53A
- Rated power	127W
- Ambient temp. range	0°C - 40°C (32°F - 104°F)
- Air flow	530 CFM(50Hz) 600 CFM(60Hz)
- Fan speed	750 - 2550 rpm (50Hz) 750 - 2800 rpm (60Hz)
- Control	Manual, DMX 512 Wireless (Optional)
- DMX channels	1 channel
- Connection	Neutrik Powercon (Power) XLR 5-pin (DMX)
- Optional accessories	WTR-10 Wireless Remote Z-3 Cable Remote
- Dimension	L 124 W 316 H 368 mm (L 4.88 W 12.44 H 14.49 inch)
- Weight	6 kg (13.23 lbs)



AF-4 / AF-4R Effects Fan

- Input voltage	US model : AC 100-120V, 50/60Hz 0.85A EU model : AC 220-240V, 50/60Hz 0.42A
- Rated power	100W
- Ambient temp. range	0°C - 40°C (32°F - 104°F)
- Air flow	1187 CFM (AC 110V / 60 Hz) 1035 CFM (AC 220V / 60 Hz)
- Fan speed	1242 - 1480 rpm (AC 110V / 60Hz) 1175 - 1289 rpm (AC 220V / 60Hz)
- Control	Manual, Timer, DMX 512 Wireless (Optional)
- DMX channels	1 channel
- Connection	XLR 5-pin (DMX)
- Optional accessories	WTR-20 Wireless Remote (AF- 4R) Z-3 Cable Remote
- Dimension	L 353 W 377 H 517 mm (L 13.90 W 14.84 H 20.35 inch)
- Weight	9 kg (19.84 lbs)



AF-5X / AF-5XR Effects Fan

- Input voltage	US model : AC 100-120V, 50/60Hz 13A EU model : AC 220-240V, 50/60Hz 7.25A
- Rated power	1600W
- Ambient temp. range	0°C - 40°C (32°F - 104°F)
- Air flow	1743 CFM (High) 1567 CFM (Medium) 1351 CFM (Low)
- Fan speed	1242 - 1480 rpm (AC 110V / 60Hz) 1175 - 1289 rpm (AC 220V / 60Hz)
- Housing Material	Flame Retardant Plastic (PE 9731)
- Control	Manual, Timer, DMX 512 Wireless (Optional)
- DMX channels	1 channel
- Connection	XLR 5-pin (DMX)
- Optional accessories	WTR-10 Wireless Remote (For AF-5XR Only) AF-5-HB Hanging Bracket
- Dimension	L 558 W 465 H 578 mm (L 21.97 W 18.31 H 22.76 inch)
- Weight	17.5 kg (38.58 lbs)



FT-20X DC12V Battery-Operated Portable Smoke Generator

- Input voltage DC 12V (Battery)
AC 100-240V, 50-60Hz (Battery charger)
- Rated power 600W
- Warm-up time 1 second (approx.)
- Fluid consumption 16 ml/min
- Fluid tank capacity 0.4 Liters (0.11 gallon)
- Compatible fluid Antari FLM-05P Fog Fluid
- Ambient temp. range 0 °C - 40 °C (32 °F-104 °F)
- Control DMX512, Manual, Wireless (Optional), Cable Remote (Optional)
- DMX channels 1 channel
- Connection XLR 3-pin (DMX)
- Optional accessories WTR-20 Wireless Remote, Z-3 Cable Remote, FT-20XS Power Base
- Dimension L293 W108 H238 mm
(L11.54 W4.25 H9.37 inch)
- Weight 8.5 kg (18.74 lbs)



FT-50 / FT-55 Pumps Off-Mains Capable Smoke Generator

Patent No. (TAIWAN) 537058

- Input voltage US model : AC 100-120V, 50 / 60Hz 12A
EU model : AC 220-240V, 50 / 60Hz 6A
- Rated power 1450W
- Warm-up time 7.5 minutes (approx.)
- Fluid consumption 110 ml/min
- Compatible fluid Antari FLP-700 Aerosol
- Ambient temp. range 0 °C - 40 °C (32 °F-104 °F)
- Control Manual
- Connection IEC (Power)
- Dimension L346 W152 H251 mm
(L13.62 W5.98 H9.88 inch)
- Weight 9.8 kg (21.61 lbs)

FT-55 Specification

- Optional accessories FCR-1 Wireless Remote
- Dimension L346 W152 H251 mm
(L13.62 W5.98 H9.88 inch)
- Weight 10.2 kg (22.49 lbs)



FT-100 Fire Training Smoke Generator

- Input voltage US model : AC 100-120V, 50 / 60Hz 12A
EU model : AC 220-240V, 50 / 60Hz 6A
- Rated power 120V 1500W
240V 1450W
- Warm-up time 8.5 minutes (approx.)
- Fluid consumption 100 ml/min
- Fluid tank capacity 6 Liters (1.59 gallon)
- Compatible fluid Antari FLP Fire Training Fog Fluid
- Ambient temp. range 0 °C - 40 °C (32 °F-104 °F)
- Control Manual, Timer, DMX512, Wireless
- DMX channels 1 channel
- Connection Neutrik Powercon (Power), XLR 5-pin (DMX)
- Optional accessories Z-3 cable remote
- Dimension L580 W279 H265 mm
(L22.84 W10.99 H10.44 inch)
- Weight 14.6 kg (32.19 lbs)



FT-200 Fire Training Smoke Generator

Patent No. (TAIWAN) 537058

- Input voltage US model : AC 100-120V, 50 / 60Hz 13.5A
EU model : AC 220-240V, 50 / 60Hz 7A
- Rated power 1600W
- Warm-up time 7.5 minutes (approx.)
- Fluid consumption 270 ml/min
- Fluid tank capacity 2.4 Liters (0.63gal)
- Compatible fluid Antari FLP Fire Training Fog Fluid
- Ambient temp. range 0 °C - 40 °C (32 °F-104 °F)
- Output 8 meters height
- Control Manual, Timer, DMX512, Wireless
- DMX channels 1 channel
- Connection Neutrik Powercon (Power), XLR 5-pin (DMX)
- Optional accessories Z-3 cable remote
- Dimension L301 W195 H414 mm
(L11.85 W7.68 H16.3 inch)
- Weight 16 kg (35.28 lbs)

ACCESSORIES

LIQUID SUPPLY / CONTROL MODULE / REMOTE
FLIGHT CASE / BRACKET / ADAPTOR



LCU-2S Liquid Supply System

- Input voltage US model : AC 100-120V, 50/60Hz 0.46A
EU model : AC 220-240V, 50/60Hz 0.23A
- Rated power 55W
- Compatible fluid Antari Fluid
- Ambient temp. range 5°C - 40°C (41°F - 104°F)
- Control Auto
- Connection IEC (Power)
XLR 3-pin (Data)
- Dimension Supply unit
L 179 W 167 H 84 mm
(L7.05 W 6.57 H 3.31 inch)
Tank unit
L 158 W 103 H 248 mm
(L6.22 W 4.06 H 9.76 inch)
- Weight Supply unit 1.95 kg (4.30 lbs)
Tank unit 1.8 kg (3.97 lbs)



LCU-1S Smart Liquid Control Unit

- Input voltage US model : AC 100-120V, 50/60Hz 0.35A
EU model : AC 220-240V, 50/60Hz 0.18A
- Rated power 40W
- Fluid consumption 400 ml / min
- Compatible fluid Antari Fluid
- Ambient temp. range 5°C - 40°C (41°F - 104°F)
- Control Manual , Timer, DMX 512
- DMX channels 1 channel
- Connection XLR 3-pin (DMX)
- Optional accessories Z-8 Remote Control
SC-2 Remote Control
- Dimension L 203 W 179 H 96 mm
(L 7.99 W 7.05 H 3.78 inch)
- Weight 3.3 kg (7.28 lbs)



W-1 Wireless Radio Transmitter

- Working Distance : Up to 50 M
- Function : Wireless ON/OFF
- There are 2 radio frequencies can be chosen. They are 315MHz and 433MHz respectively.
- Compatible With : AF-3, AF-5, F-1, HZ-350, IP-1500, M-4, SW-250, SW-300, W-101, W-510, W-508, W-515D, W-530D, W-715

Main Features :

1. Simple setting and operation : one click to register ; one click to go ; and one click to stop.
2. Interchangeability : W-1 wireless radio transmitter is compatible with all Antari W series (signal receivers)
3. Modern metallic design honors your vision and professional.



W-2 Wireless Radio Transmitter

- Working Distance : Up to 50 M
- Function : Wireless ON/OFF and Volume UP/DOWN
- There are 2 radio frequencies can be chosen. They are 315MHz and 433MHz respectively.
- Compatible With : AF-4R, M-7X RGBA, M-9, M-11, MB-20, S-500, Z-390, Z-1520

W-2 is the advanced version of W-1 wireless radio transmitter. Compare to W-1, the biggest difference is W-2 comes with 4 buttons, which makes it more versatile.



W-1 RECEIVER



W-2 RECEIVER



W-DMXW1R
W-DMX and W-1 Receiver



W-DMXW2R
W-DMX and W-2 Receiver



W-DMX-PCB



W-DMXR
W-DMX Receiver

Wireless distance may vary depending on the interference.



01



02



03



04



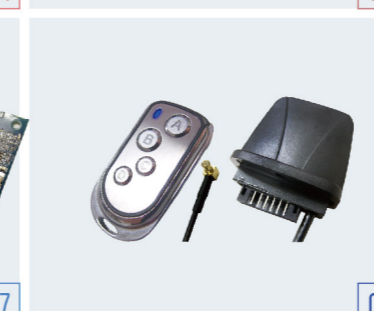
05



06



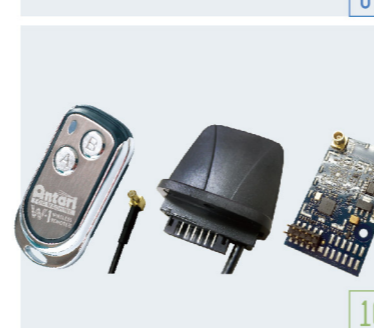
07



08



09



10



11

There are 2 radio frequencies can be chosen. They are 315MHz and 433MHz respectively.

Wireless distance may vary depending on the interference.

01 WTR-10
W-1 Transmitter x 1
W-1 Receiver x 1

Compatible With :
AF-3, AF-5X, F-1
SW-250X

02 WTR-20
W-2 Transmitter x 1
W-2 Receiver x 1

Compatible With :
AF-4R, FT-20X, MB-20,
M-11, S-500, S-500L,
Z-390

03 WTR-30
W-1 Transmitter x 1
W-2 Receiver x 1

Compatible With :
M-4

04 WTR-40
W-1 Transmitter x 1
W-DMXW1R x 1
W-DMX-PCB x 1

Compatible With :
F-1

05 WTR-50
W-1 Transmitter x 1
W-DMXW1R x 1

Compatible With :
F-1

06 WTR-60
W-DMX W1R x 1
W-DMX-PCB x 1

Compatible With :
F-1

07 WTR-70
W-2 Transmitter x 1
W-DMX-PCB x 1
W-DMXW2R x 1

Compatible With :
M-11, S-500, S-500L

08 WTR-80
W-2 Transmitter x 1
W-DMXW2R x 1

Compatible With :
M-11, S-500, S-500L

09 WTR-90
W-DMX-PCB x 1
W-DMXW2R x 1

Compatible With :
M-7X RGBA, S-500,
S-500L, M-9, M-11

10 WTR-100
W-1 Transmitter x 1
W-DMX-PCB x 1
W-DMXW2R x 1

Compatible With :
M-4

11 W-DMX-PCBR
W-DMX-PCB x 1
W-DMXR x 1

Compatible With :
CH-1, F-1, F-4, M-4, M-11
HZ-1000, S-500, S-500L

**01** D-20

- Cable Length : 2 M
- Connector : 5 Pin XLR
- Function : Timer with interval, duration and volume; 4 Volume output choices (with non-stop fogging); Set DMX addresses; manual ON/OFF. (All above functions are displayed on a LCD screen & can be set precisely in seconds or percentage)
- Compatible With : DNG-200

02 M-20

- Cable Length : 2 M
- Connector : 5 Pin XLR
- Function : Timer with interval, duration and volume; set DMX address; continuous fogging; manual ON/OFF. (All above functions are displayed on a LCD screen and can be set precisely in seconds or percentage)
- Compatible With : M-5, M-10

03 M-21

- Cable Length : 2 M
- Connector : 5 Pin XLR
- Function : Timer with interval, duration and volume; set DMX address; manual ON/OFF. (All above functions are displayed on a LCD screen)
- Compatible With : M-8

04 M-30PRO

The M-30 PRO Wireless Control Module, as its name suggests, adds wireless operation to your M-5 and M-10 machines. The M-30 PRO delivers radio frequency technology you can depend on. You have the flexibility of wireless technology and the functionality you expect from Antari.

- Cable Length : 2 M
- Working Distance : Wireless, up to 50 M
- Connector : 5 Pin XLR
- For W-1 Wireless Transmitter, there are 2 radio frequencies can be chosen. They are 315MHz and 433MHz respectively.
- Compatible With : M-5, M-10

05 M-31

The M-31 Wireless Control Module, as its name suggests, adds wireless operation to your M-8 machine. The M-31 delivers radio frequency technology you can depend on. You have the flexibility of wireless technology and the functionality you expect from Antari.

- Cable Length : 2 M
- Working Distance : Wireless, up to 50 M
- Connector : 5 Pin XLR
- For W-1 Wireless Transmitter, there are 2 radio frequencies can be chosen. They are 315MHz and 433MHz respectively.
- Compatible With : M-8

06 Z-20

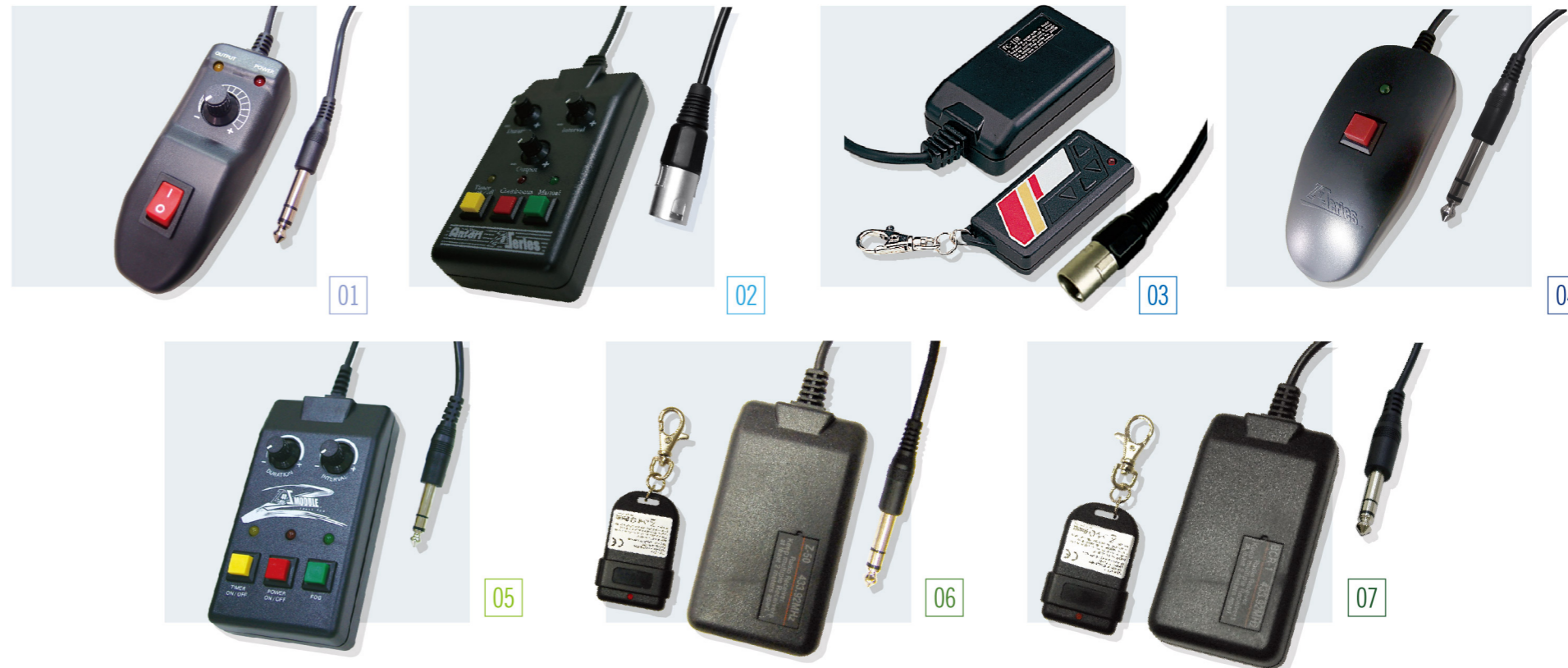
- Cable Length : 2 M
- Connector : 5 Pin XLR
- Function : Timer with interval, duration and volume; set DMX address; continuous fogging; manual ON/OFF. (All above functions are displayed on a LCD screen and can be set precisely in seconds or percentage)
- Compatible With : Z-1500II, Z-3000II

07 Z-30PRO

The Z-30PRO Wireless Control Module, as its name suggests, adds wireless operation to your Z-1500II and Z-3000II machines. The Z-30PRO delivers radio frequency technology you can depend on. You have the flexibility of wireless technology and the functionality you expect from Antari.

- Cable Length : 2 M
- Working Distance : Wireless, up to 50 M
- Connector : 5 Pin XLR
- For W-1 Wireless Transmitter, there are 2 radio frequencies can be chosen. They are 315MHz and 433MHz respectively.
- Compatible With : Z-1500II, Z-3000II

Wireless distance may vary depending on the interference.

**01** Z-3 Remote

- Cable Length : 3M
- Connector : 1/4 Stereo
- Function : Volume , ON/OFF
- Compatible With : AF-3, AF-4, FT-20X, FT-200 MB-20, Z-350, Z-390

02 Z-8 Timer Remote

- Cable Length : 25 ft
- Connector : 4 Pin XLR
- Function : Timer with interval, duration and volume; continuous fogging; manual ON/OFF
- Compatible With : Z-1200II, ICE-101, LCU-1S

03 Z-9 Wireless Remote

- Working Distance : Up to 50 M
- Connector : 4 Pin XLR
- Function : Wireless ON/OFF
- Compatible With : Z-1200II

04 Z-10 Remote

- Cable Length : 25 ft
- Connector : 1/4 Stereo
- Function : ON/OFF (Toggle Switch)
- Compatible With : Z-800II, Z-1000II, Z-1020, B-100X

05 Z-40 Timer Remote

- Cable Length : 25 ft
- Connector : 1/4 Stereo
- Function : Timer with interval and duration; manual ON/OFF
- Compatible With : Z-800II, Z-1000II, Z-1020

06 Z-50 Wireless Remote

- Working Distance : Up to 50 M
- Connector : 1/4 Stereo
- Function : Wireless ON/OFF
- Compatible With : Z-800II, Z-1000II, Z-1020

07 BCR-1 Wireless Remote

- Working Distance : Up to 50 M
- Connector : 1/4 Stereo
- Function : Wireless ON/OFF
- Compatible With : B-100X, B-200

Wireless distance may vary depending on the interference.

BCT-1 Timer Remote

- Cable Length : 25 ft
- Connector : 1/4 Stereo
- Function :
Timer with interval and duration; manual ON/OFF
- Compatible With : B-100X, B-200



HC-1 Timer Remote

- Cable Length : 25 ft
- Connector : 1/4 Stereo
- Function :
Timer with interval and duration; manual ON/OFF
- Compatible With : HZ-100, HZ-350, HZ-400



HCR-1 Wireless Remote

- Working Distance : Up to 50 M
- Connector : 1/4 Stereo
- Function : Wireless ON/OFF
- Compatible With : HZ-100, HZ-400



MCR-1F Wireless Remote

- Working Distance : Up to 50 M
- Connector : 4 Pin DIN
- Function : Wireless ON/OFF
- Compatible With : MB-1



MCT-2 Timer Remote

- Cable Length : 25 ft
- Connector : 4 Pin DIN
- Function :
Timer with interval and duration; manual ON/OFF
- Compatible With : MB-1



MC-1 Remote

- Cable Length : 5M
- Function : Manual ON/OFF
- Compatible With : FT-55, MB-55



SC-2 Remote

- Cable Length : 25 ft
- Connector : 4 Pin XLR
- Function : ON/OFF and volume
- Compatible With : LCU-1S, S-100X, S-200X, SW-250, SW-250X

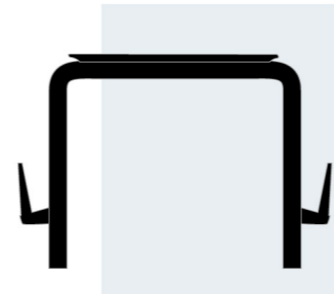


SC-3 Remote

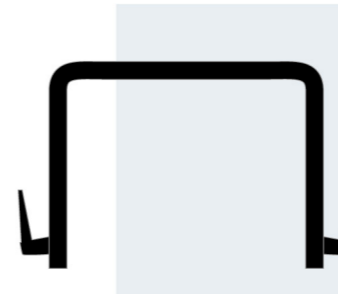
- Cable Length : 25 ft
- Connector : 4 Pin XLR
- Function : Volume and Fan; manual ON/OFF
- Compatible With : SW-300, S-500(L)

Wireless distance may vary depending on the interference.

Hanging Bracket Sets

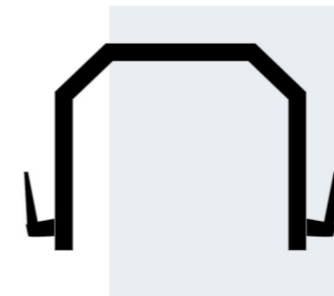


M-5-HB
Hanging Bracket
For M-5, M-8

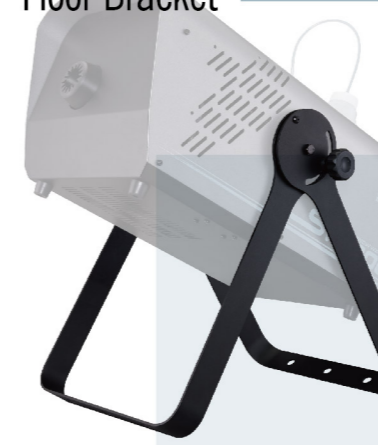


W-510-HB **W-515-HB**
Hanging Bracket Hanging Bracket
For W-510 For W-515D, W-530D

Floor Bracket



IP-1500-HB
Hanging Bracket
For IP-1500



SW-300-FB
Floor Bracket
S-100X, S-200X, SW-250,
SW-250X, SW-300

Fluid Tubes / Adaptors / Filters



- FT-4 : 4mm Fluid tube
- FT-6 : 6mm Fluid tube
- FLF-4 : Fluid filter for 4mm tube
- FLF-6 : Fluid filter for 6mm tube
- FTA-64 : Adaptor for 4mm to 6mm tube connection
- FTA-66 : Adaptor for 6mm to 6mm tube connection
- FTA-664 : T-type adaptor for two 6mm tubes to one 4mm tube connection

Remote Control Extension Cables



EXT-1
25 ft. extension cable
with 1/4 stereo plug



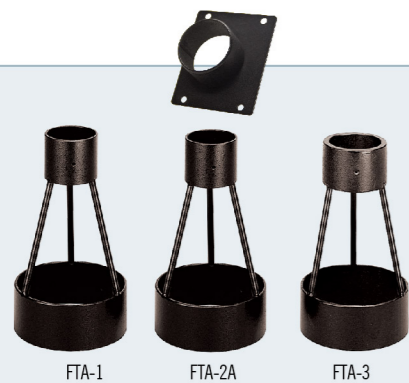
EXT-3
25 ft. extension cable with
5-pin XLR connectors



EXT-5
25 ft. extension cable with
5-pin DIN connectors

EXT-4
25 ft. extension cable with
3-pin XLR connectors

EXT-6
25 ft. extension cable with
4-pin XLR connectors



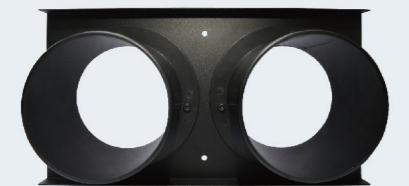
Fog Hose Adaptor

Adaptor for connecting fog conducting hose FT-10 for DNG-100 Fog Cooler to the desired Antari fog machine.

- FTA-1 : Adaptor for connecting fog conducting hose FT-10 to M-5, M-10, W-510, W-515D, W-530D, IP-1000 and IP-1500 fog machines, in order to achieve strategic fog placement.

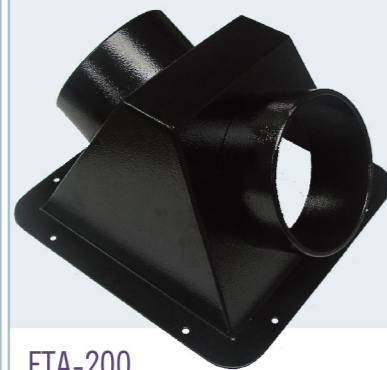
- FTA-2A : The same function as the FTA-1, specifically designed for Z-1000II and Z-1200II fog machines.

- FTA-3 : The same function as the FTA-1, specifically designed for Z-1500II and Z-3000II fog machines.



FTA-11

Fog conducting hose adaptor for DNG-100. The hoses adaptor can be installed on it and this can split low fog output into two.



**FTA-200
Fog Conducting Hose Adaptor**

Fog conducting hose adaptor for DNG-200 and DNG-250. The hoses adaptor can be installed on it and this can split low fog output into two.



FT-10 Fog Conducting Hose

Fog conducting hose with 12cm diameter and is 10 meters in length. The DNG-100 Low fog cooler is equipped with one FT-10 to connect to the fog machine. This additional hose is needed to redirect the fog output coming out of the DNG-100. With this optional hose, fog can be extended anywhere within 10m of the DNG-100.

Flight Case



FCH-1

- Dimensions (mm) : L 900 x W 574 x H 938
- Weight : 51.6 kg
- Compatible With : CH-1



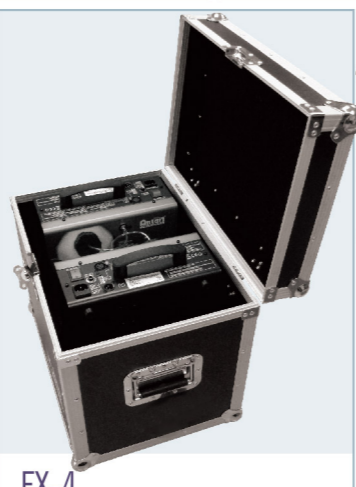
FDNG-250

- Dimensions (mm) : L 865 W 695 H 1020
- Weight : 46.5 kg
- Compatible With : DNG-200, DNG-250



FZ-350

- Dimensions (mm) : L 429 W 230 H 478
- Weight : 8.9 kg
- Compatible with : Z-350



FX-4

- Dimensions (mm) : L 495 W 418 H 500
- Weight : 12.3 kg
- Compatible With : Z-1020, Z-1520, W-715, Z-350
- Two units in one case



FX-5

- Dimensions (mm) : L 844 W 453 H 378
- Weight : 12.3 kg
- Compatible With : M-5, M-8, M-10, M-11, W-515D, W-530D



				
<p>FLG Heavy Fog Fluid</p> <p>Produces fog which has a longer lasting time.</p>	<p>FLR Light Fog Fluid</p> <p>Produces fog which disappears in the air faster.</p>	<p>FLC Super Light Fog Fluid</p> <p>Produces fog which dissipates in the air fastest.</p>	<p>FLL Low Fog Effects Fluid</p> <p>It is a specifically made water-based fog fluid for low fog machines capable of creating the optimized low fog effect.</p>	<p>FLZ Faze Effects Fluid Long hang Time</p> <p>FLZ Long Hang Time Fog Fluid produces fog which has the longest lasting time.</p>

Antari fog fluid are optimized for use with all Antari fog machines and are suitable for most models of foggers. They are all water-based composition that leaves no oily residue. All of the fluid are odorless, non-irritating, non-toxic, and non-flammable. They preserve the longevity of your machines. Our Material Safety Data Sheets (MSDS) and safety reports from SGS are compiled by an independent laboratory for strictest tests. The Antari fog fluid are eco-friendly to our environment and to human contact.

They are available in 1, 2, 4, 5, 6, 10, 20 and 200 Liter.



The choice of fog fluid will depend on which Antari machine is used and also the density of fog you look for



There are 6 types of snow fluids among Antari range. The different features are listed as follows:

- SL**
- Mildest formula. Artificial snowflakes produced by it with the least irritating smell.
 - Perfect for indoor operation.

- SL-A**
- Compare to SL, the snowflakes created by SL-A are slightly larger in size and can dissipate in air quicker.
 - Good for indoor operation.

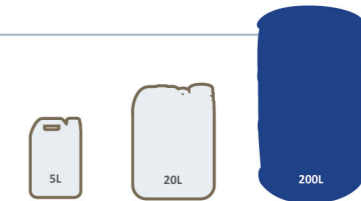
- SL-N (New Formula)**
- Artificial snowflake produced by SL-N is the finest (smallest in size and lightest in weight) among Antari snow fluids, which is the driest and leaves least wet residue when it falls on the ground.
 - Good for indoor operation.

- SL-AN (New Formula)**
- Compare to SL-N, the snowflakes created by SL-AN are slightly larger in size and can dissipate in air quicker.
 - Good for outdoor operation.

- SL-H**
- SL-H can produce higher snow volume than the snow effects from SL.
 - Good for outdoor operation.

- SL-C (Anti-Freezing Snow Liquid)**
- Anti-freezing snow fluid can satisfy the requirements of operating snow machines in low temperature environment.
 - The lowest working temperature is -10°C (14°F)

SL-UV
The artificial snow-flakes produced by UV snow fluids react to UV lights and glow in the dark with UV light sources.



They are all available in 5, 20 and 200 Liters.



CHL-2 Haze Liquid

CHL-2 is a high quality oil based liquid for CH-1 cinema hazer to produce fine and translucent haze to fill the stage. The haze produced by CH-1 & CHL liquid can set off the stage lighting beautifully and create a wonderful stage design.



Bubble Fluid

Antari bubble fluid is a water-based composition that creates vivid, transparent bubbles. The liquid is colorless, odorless and non-flammable. The Antari bubble fluid is available in either one or five liter containers.

BL-1 : Bubble fluid (1 liter)
BL-5 : Bubble fluid (5 liter)



FLM Fog Fluid

FLM-05S and FLM-05P are special formulated water based fluid for MB-1 and MB-20 mobile fogger. With best quality, no artificial colors are added. Capable to generate pure and clean fog when goes with compatible models



Oil Based Haze Fluid

HZL : Specially composed haze fluid, HZL is a non-toxic solution that produces a pure, translucent haze with an extremely long hanging time and low moisture content. Colorless, odorless and non-flammable, HZL leaves no residue or contamination and complies with the strictest health and safety regulations. Its composition will increase machine's lifespan for HZ-100 / 350 / 400 / 500 / 1000

HZL-1 : Haze fluid (1 liter)
HZL-5 : Haze fluid (5 liter)



MG-550 Magican

The world's smallest haze spray ; the Magican produces a long lasting haze with 1-2 hours of hanging time. One Magican will haze continuously for five minutes.

A haze effect can be achieved after approximately 20 seconds of spraying in an average sized room, allowing for approximately 15 hazing sessions per can. The Magican is designed for situations where only a relatively small amount of haze is needed. It is perfect for mobile DJs and home parties.



C-300

Antari C-300 designed for maintaining pump of effects machine on its best performance. By applying this special formulated solution on a regular basis will keep the pump at optimal condition. Use this maintenance solution before storage will prevent the pump from dry out and clogging.



P-1 : Rose

P-2 : Mint



P-4 : Apple

P-6 : Lemon



P-7 : Strawberry

P-9 : Orange

Scent

Simply put a few drops of these high quality scent into the fluid tank. You will have scented fog right away! 6 fragrances are available in a standard 20 ml bottle. The ideal mix ratio of scent and fluid is 1:1000 For instance: adding 1ml scent into 1liter fog fluid can have the best effect of scented fog.

FLP Fire Training Smoke Fluid



FLM-05 Smoke Fluid

FOR USE IN :
For MB-1, MB-20X, FT-20X mobile fogger Used.



FLP-700 Fog Fluid in a Pressurized Canister

FLP-700 is water based FLP fog fluid filled in a pressurized canister which can be installed in fog machines without fluid pump. For FT-50, FT-55, MB-55.



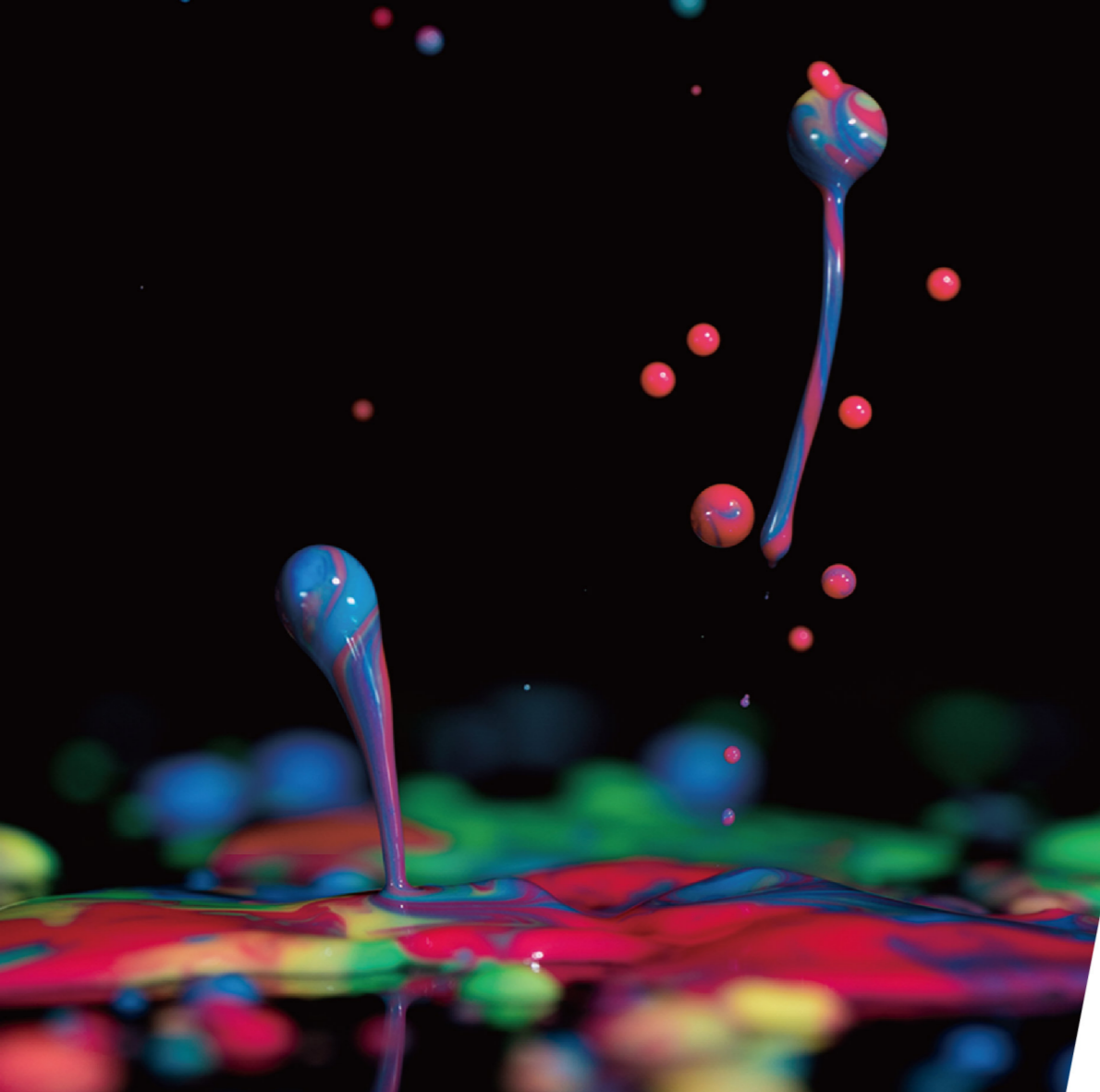
FLP Fire Training Smoke Fluid

Antari FLP fog fluid is specifically made for Fire Training machines. It can produce high density fog and is ideal for fire drill or rescue training...etc.



DarkFX

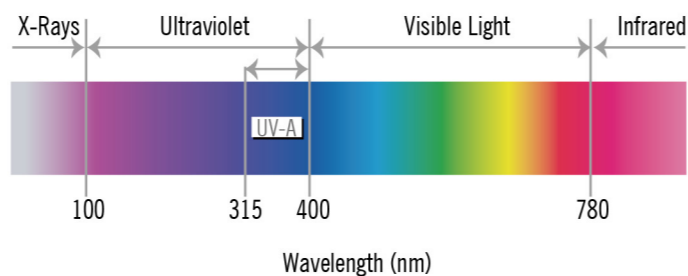
DARKFX / UV EFFECTS



Intro

The prodigious DarkFX Series has adopted the latest LED technology with a peak wavelength of 365nm. Because, 365nm is in the middle of UV-A wavelength the emitted light evenly covers the whole spectrum producing a traditional blacklight effect without the visible light associated with most LED based blacklights. All UV reactive material reflects perfectly with stunning bright and vivid colors.

Traditional blacklight fixtures emit long-wave ultraviolet (UV) light without much visible light. The UV spectrum ranges from 100 to 400 nanometers (nm), emitting light that is generally invisible to the human eye*, however the higher the "nm" rating the more visible light. Traditionally the entertainment industry has used the UV-A spectrum (315-400nm), which is not harmful to humans, widely adopted in light fixtures, counterfeit detection, medical use and industrial curing.



*Typical human eye will respond to wavelength from 390 to 700nm



Painted by Ami Hung

UV reactive material such as UV Paint, UV Make-up, and fluorescent minerals produce the best "glow" effect without any ambient light. Most LED blacklights in the market today have a peak wavelength between 390-410nm which is where the UV and visible light spectrums begin to overlap, in these cases the ambient light generated is very purple or blueish making the end result less than ideal when trying to create a true blacklight environment.

Application Area

Theater, Amusement Parks, TV & Film, Themed Architecture and Entertainment Venues

Dark FX UV Paint

UV paint is also known as black light paint. Articles with UV paint applied react to UV light source and glow.

Available colors: Bright Green, Bright Orange, Bright Red, Brilliant Yellow, Deep Blue, Deep Violet, Deep Yellow, Hot Pink, Magenta, and Invisible Blue.

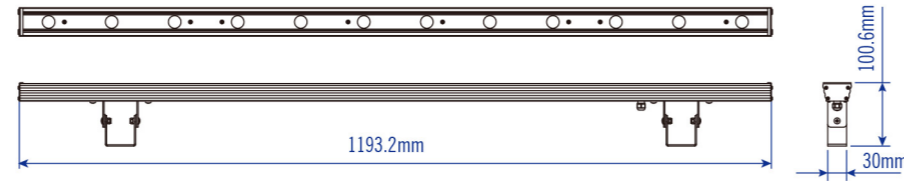
Available capacities: 6 fluid ounce (177 ml) and 1 gallon (3.78 Liter).





DARKFX STRIP 1020

Dimensions



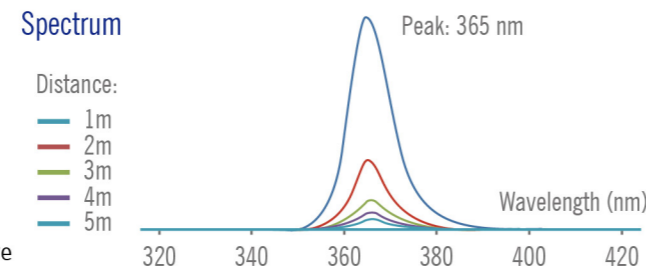
Specification

- Input voltage	DC 48V @ 0.5A	- Peak wavelength	365nm
- Rated power	24W	- Cable connection	22 AWG wire cable
- LED	12 x 1.9W High Power UV LED	- Housing	Aluminum Extrusion
- Optics	40 degrees	- Protection rating	IP-20 Indoor use only
- Radiant flux output	9000 mW	- Dimension	L 1193.2 x W 30 x H 100.6 mm
- Project lamp life	20,000 hrs L70 at 25C	- Dry weight	1.9 kg

Illuminance measurement

Distance (m)	1	2	3	4	5
Intensity	450($\mu\text{W}/\text{cm}^2$) 4.50(W/m ²)	158($\mu\text{W}/\text{cm}^2$) 1.58(W/m ²)	79($\mu\text{W}/\text{cm}^2$) 0.79(W/m ²)	42($\mu\text{W}/\text{cm}^2$) 0.42(W/m ²)	31($\mu\text{W}/\text{cm}^2$) 0.31(W/m ²)
Intensity degradation rate (compare with 1m)	0%	64.9%	82.5%	90.7%	93.0%

Spectrum



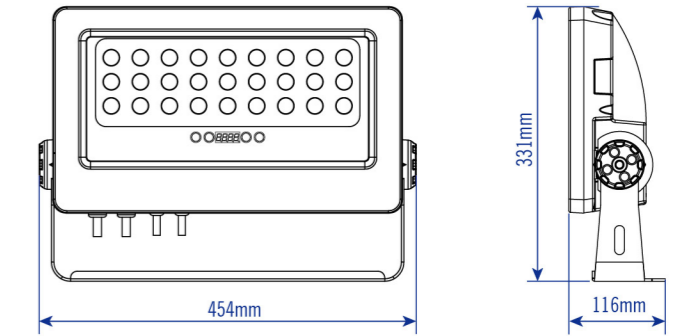
Features

- High efficiency UV LED
- Peak wavelength at 365nm
- Minimum visible light
- High output 9000mW at full intensity
- Special optics will not degrade by high UV exposure
- Flicker free



DARKFX WASH 2000 IP

Dimensions



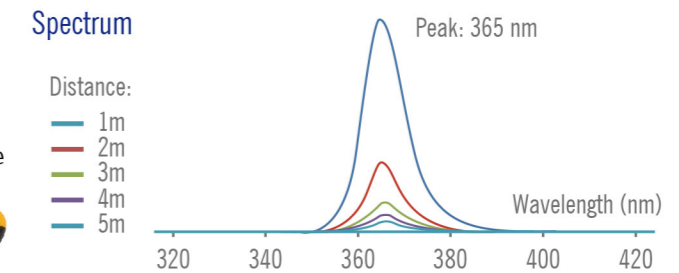
Specification

- Input voltage	AC100-240V 50-60Hz	- DMX channels	1, 2
- Rated power	70W	- Operation	Digital display with 4 buttons
- LED	33 x 1.9W High Power UV LED	- Power connection	3-Pin waterproof connector
- Refresh rate	500 Hz	- Data connection	3-Pin waterproof connector
- Optics	25 degrees	- Housing	Aluminum die-cast
- Output	24800mW	- Protection rating	IP-65
- Project lamp life	20,000 hrs L70 at 25 degrees	- Dimension	L 454 x W 116 x H 331 mm
- Color range	365nm	- Weight	10.4 Kg
- Control option	DMX 512, Manual		

Illuminance measurement

Distance (m)	1	2	3	4	5
Intensity	5462($\mu\text{W}/\text{cm}^2$) 54.62(W/m ²)	1572($\mu\text{W}/\text{cm}^2$) 15.72(W/m ²)	718($\mu\text{W}/\text{cm}^2$) 7.18(W/m ²)	409($\mu\text{W}/\text{cm}^2$) 4.09(W/m ²)	251($\mu\text{W}/\text{cm}^2$) 2.51(W/m ²)
Intensity degradation rate (compare with 1m)	0%	71.2%	86.8%	92.5%	95.4%

Spectrum



Features

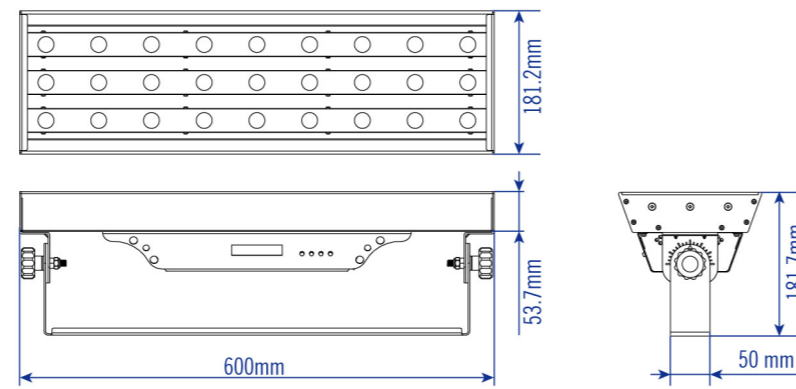
- High efficiency UV LED
- Peak wavelength at 365nm
- Special optics will not degrade to high UV exposure
- Minimum visible light
- High output 24800mW at full intensity
- Flicker free
- Weather proof IP-65
- Neutrik Power CON True1 connector





DARKFX WASH 2000

Dimensions



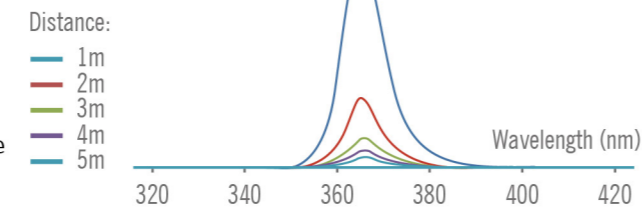
Specification

- Input voltage	AC100-240V 50-60Hz	- Operation	8 bit DMX 512
- Rated power	55W	- LED	2 x 16 digit display with 4 buttons
- LED	27 x 1.9W High Power UV LED	- Refresh rate	500 Hz
- Refresh rate	500 Hz	- Optics	25 degrees
- Optics	25 degrees	- Radiant flux output	20290 mW
- Radiant flux output	20290 mW	- Project lamp life	20,000 hrs L70 at 25C
- Project lamp life	20,000 hrs L70 at 25C	- Peak wavelength	365nm
- Peak wavelength	365nm	- Control option	DMX 512, Manual
- Control option	DMX 512, Manual	- DMX channels	1, 2
- DMX channels	1, 2	- Power connection	Neutrik Powercon in / through
		- DMX data connection	5-pin XLR
		- Housing	Metal
		- Protection rating	IP-20 Indoor use only
		- Dimension	L 600 x W 181.2 x H 181.7 mm
		- Dry weight	6.37 kg

Illuminance measurement

Distance (m)	1	2	3	4	5
Intensity	4184($\mu\text{W}/\text{cm}^2$) 41.84(W/m ²)	1737($\mu\text{W}/\text{cm}^2$) 17.37(W/m ²)	933($\mu\text{W}/\text{cm}^2$) 9.33(W/m ²)	648($\mu\text{W}/\text{cm}^2$) 6.48(W/m ²)	526($\mu\text{W}/\text{cm}^2$) 5.26(W/m ²)
Intensity degradation rate (compare with 1m)	0%	66.3%	83.8%	87.7%	90.9%

Spectrum



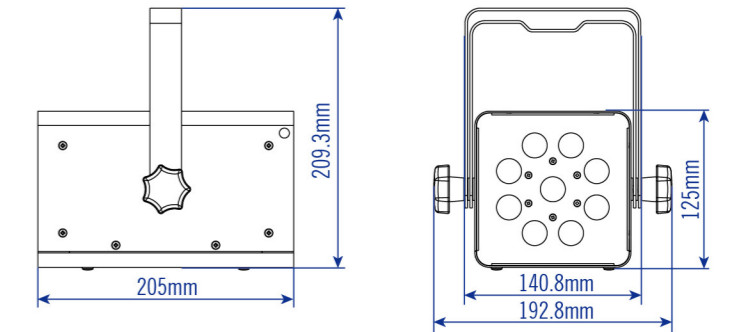
Features

- High efficiency UV LED
- Peak wavelength at 365nm
- Minimum visible light
- High output 20290mW at full intensity
- Special optics will not degrade by high UV exposure
- Flicker free
- Adjustable modular strips to maximize coverage



DARKFX SPOT 670

Dimensions



Specification

- Input voltage	AC100-240V 50-60Hz	- DMX channels	1, 2
- Rated power	21W	- Operation	2 x 16 digit display with 4 buttons
- LED	9 x 1.9W High Power UV LED	- Power connection	Neutrik Powercon in/through
- Refresh rate	500 Hz	- DMX data connection	5-pin XLR
- Optics	15 degrees	- Housing	Metal
- Radiant flux output	6760 mW	- Protection rating	IP-20 Indoor use only
- Project lamp life	20,000 hrs L70 at 25C	- Dimension	L 205 x W 125 x H 125 mm
- Peak wavelength	365nm	- Dry weight	2.64 kg
- Control option	RDM, DMX 512, Manual		

IP Enclosure Specification

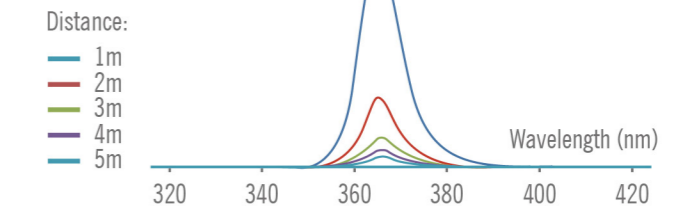
- Housing	Metal
- Protection rating	IP-63
- Dimension	L 320.5 x W 173 x H 141.2 mm
- Dry weight	3.08 kg



Illuminance measurement

Distance (m)	1	2	3	4	5
Intensity	4976($\mu\text{W}/\text{cm}^2$) 49.76(W/m ²)	1675($\mu\text{W}/\text{cm}^2$) 16.75(W/m ²)	807($\mu\text{W}/\text{cm}^2$) 8.07(W/m ²)	614($\mu\text{W}/\text{cm}^2$) 6.14(W/m ²)	451($\mu\text{W}/\text{cm}^2$) 45.1(W/m ²)
Intensity degradation rate (compare with 1m)	0%	66.3%	83.8%	87.7%	90.9%

Spectrum



Features

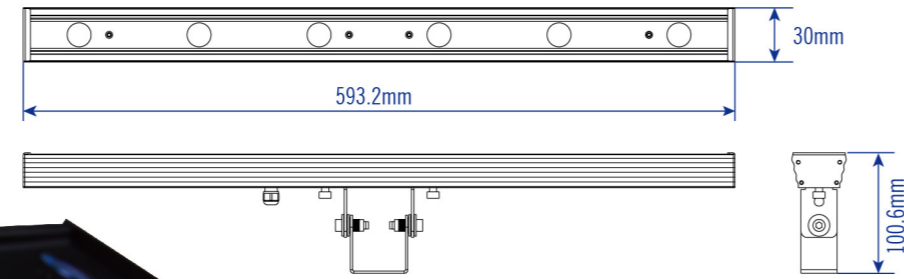
- High efficiency UV LED
- Peak wavelength at 365nm
- Minimum visible light
- High output 6760mW at full intensity
- Special optics will not degrade by high UV exposure
- Flicker free
- 15 degrees narrow beam angle





DARKFX STRIP 510

Dimensions



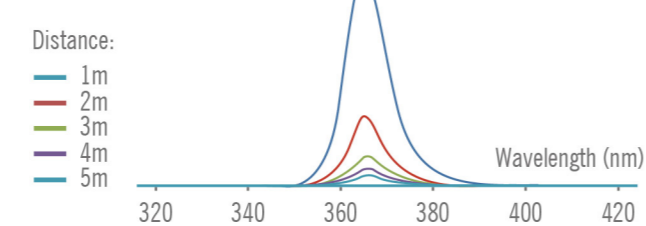
Specification

- Input voltage	DC 20-24V	- Peak wavelength	365nm
- Rated power	12W	- Cable connection	22 AWG wire cable
- LED	6 x 1.9W High Power UV LED	- Housing	Aluminum Extrusion
- Optics	25 degrees	- Protection rating	IP-20 Indoor use only
- Radiant flux output	4500 mW	- Dimension	L 593.2 x W 30 x H 100.6 mm
- Project lamp life	20,000 hrs L70 at 25C	- Dry weight	1.08 kg

Illuminance measurement

Distance (m)	1	2	3	4	5
Intensity	700($\mu\text{W}/\text{cm}^2$) 7.00(W/m ²)	211($\mu\text{W}/\text{cm}^2$) 2.11(W/m ²)	99($\mu\text{W}/\text{cm}^2$) 0.99(W/m ²)	54($\mu\text{W}/\text{cm}^2$) 0.54(W/m ²)	38($\mu\text{W}/\text{cm}^2$) 0.38(W/m ²)
Intensity degradation rate (compare with 1m)	0%	69.8%	85.9%	92.2%	94.5%

Spectrum



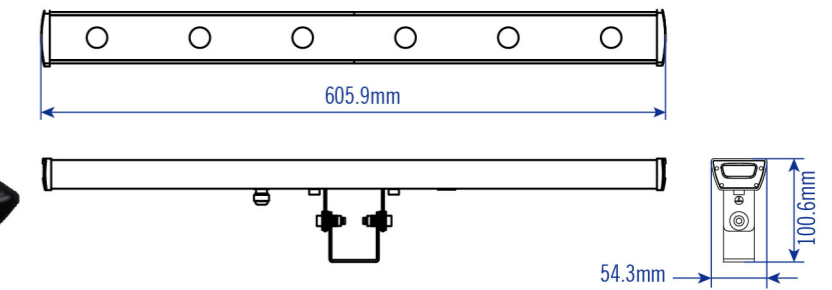
Features

- High efficiency UV LED
- Peak wavelength at 365nm
- Minimum visible light
- High output 4500mW at full intensity
- Special optics will not degrade by high UV exposure
- Flicker free



DARKFX STRIP 510 IP

Dimensions



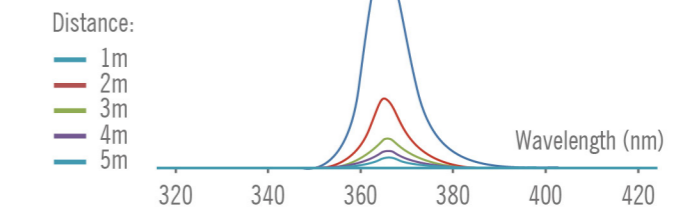
Features

- Input voltage	DC 20-24V	- Peak wavelength	365nm
- Rated power	12W	- Cable connection	22 AWG wire cable
- LED	6 x 1.9W High Power UV LED	- Housing	Aluminum Extrusion
- Optics	25 degrees	- Protection rating	IP-65
- Radiant flux output	4500 mW	- Dimension	L 605.9 x W 54.3 x H 100.6 mm
- Project lamp life	20,000 hrs L70 at 25C	- Dry weight	1.08 kg

Illuminance measurement

Distance (m)	1	2	3	4	5
Intensity	700($\mu\text{W}/\text{cm}^2$) 7.00(W/m ²)	211($\mu\text{W}/\text{cm}^2$) 2.11(W/m ²)	99($\mu\text{W}/\text{cm}^2$) 0.99(W/m ²)	54($\mu\text{W}/\text{cm}^2$) 0.54(W/m ²)	38($\mu\text{W}/\text{cm}^2$) 0.38(W/m ²)
Intensity degradation rate (compare with 1m)	0%	69.8%	85.9%	92.2%	94.5%

Spectrum



Features

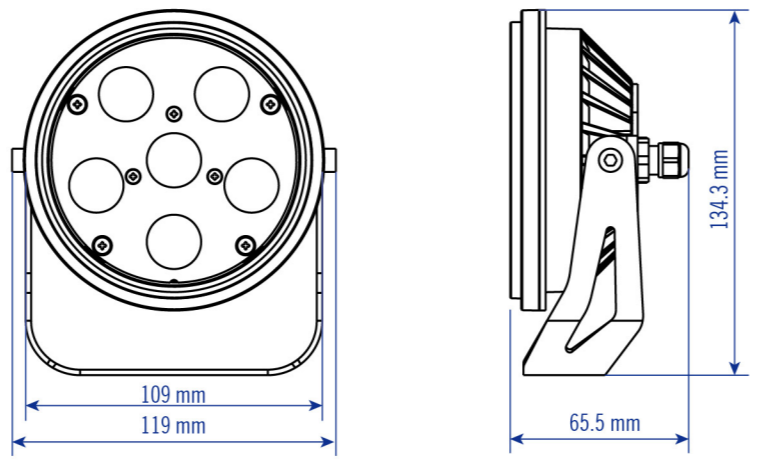
- High efficiency UV LED
- Peak wavelength at 365nm
- Minimum visible light
- High output 4500mW at full intensity
- Special optics will not degrade by high UV exposure
- Flicker free





DARKFX SPOT 510 IP

Dimensions



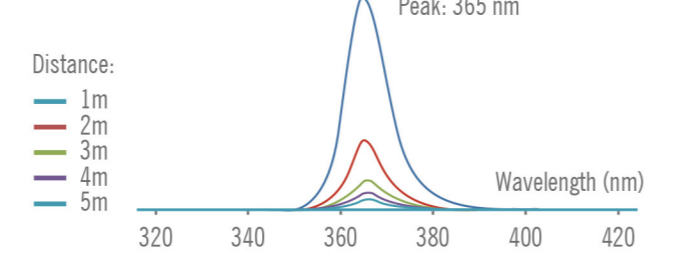
Specification

- Input voltage DC 20-24V
- Rated power 12W
- LED 6 x 1.9W High Power UV LED
- Optics 15 degrees
- Radiant flux output 4500mW
- Project lamp life 20,000 hours L70 at 25C
- Peak wavelength 365nm
- Cable connection 22 AWG wire cable
- Housing Aluminum Die Casting
- Protection rating IP-65
- Dimension W 110.5 x D 48.8 x H 134.3 mm
- Dry weight 0.71 kg

Illuminance measurement

Distance (m)	1	2	3	4	5
Intensity	2062($\mu\text{W}/\text{cm}^2$) 20.62(W/m^2)	534($\mu\text{W}/\text{cm}^2$) 5.34(W/m^2)	213($\mu\text{W}/\text{cm}^2$) 2.13(W/m^2)	126($\mu\text{W}/\text{cm}^2$) 1.26(W/m^2)	76($\mu\text{W}/\text{cm}^2$) 0.76(W/m^2)
Intensity degradation rate (compare with 1m)	0%	74.1%	89.6%	93.9%	96.3%

Spectrum



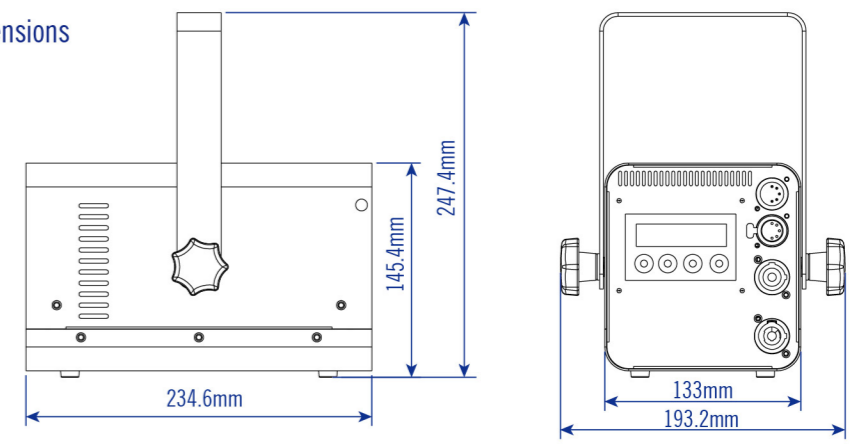
Features

- High efficiency UV LED
- Peak wavelength at 365nm
- Minimum visible light
- High output 4500mW at full intensity
- Special optics will not degrade by high UV exposure
- Flicker free
- Weather proof IP-65



DARKFX SPOT 1750

Dimensions



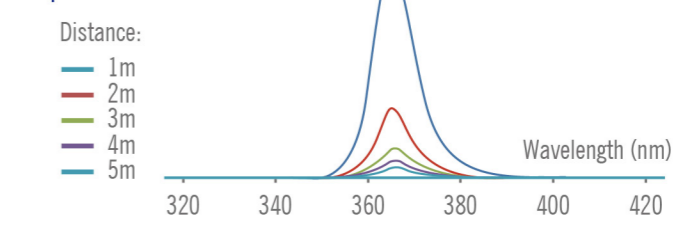
Specification

- Input voltage AC100-240V 50-60Hz
- Rated power 72W
- LED 4 x 16W High Power UV LED
- Refresh rate 600 Hz
- Optics 20 degrees
- Radiant flux output 19080 mW
- Project lamp life 20,000 hrs L70 at 25C
- Peak wavelength 365nm
- Control option RDM, DMX 512, Manual
- DMX channels 1, 2
- Operation 2 x 16 digit display with 4 buttons
- Power connection Neutrik Powercon in / through
- DMX data connection 5-pin XLR
- Housing Metal
- Protection rating IP-20 Indoor use only
- Dimension L 234.6 x W 193.2 x H 247.4 mm
- Dry weight 3.2 kg

Illuminance measurement

Distance (m)	1	2	3	4	5
Intensity	6573($\mu\text{W}/\text{cm}^2$) 65.73(W/m^2)	1760($\mu\text{W}/\text{cm}^2$) 17.6(W/m^2)	769($\mu\text{W}/\text{cm}^2$) 7.69(W/m^2)	43.9($\mu\text{W}/\text{cm}^2$) 4.39(W/m^2)	38($\mu\text{W}/\text{cm}^2$) 0.38(W/m^2)
Intensity degradation rate (compare with 1m)	0%	73.2%	88.3%	93.3%	95.6%

Spectrum



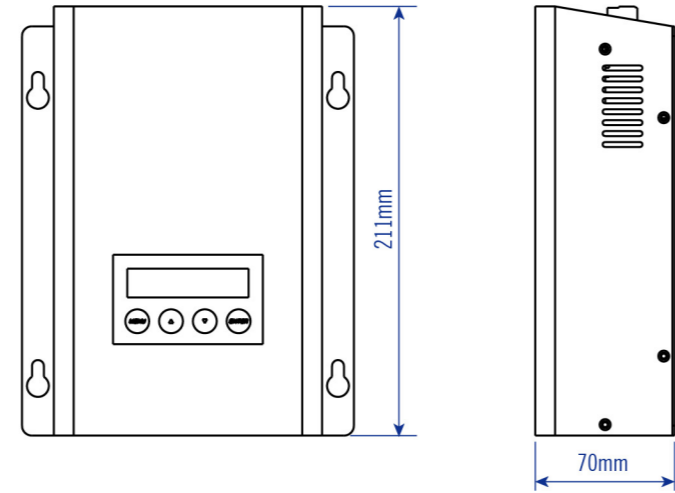
Features

- High efficiency UV LED
- Peak wavelength at 365nm
- Minimum visible light
- High output 19080mW at full intensity
- Special optics will not degrade by high UV exposure
- Flicker free
- 15 degrees narrow beam angle



DARKFX DRIVE 4 MKII

Dimensions

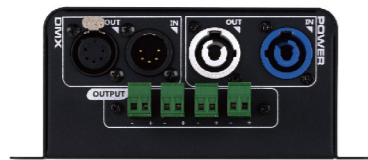


Features

- Compact and robust design
- 4 output terminals for DarkFX UV fixtures
- Neutrik powercon in/thru
- 2 x 16 digit LCD display interface
- DMX control option
- RDM feature set

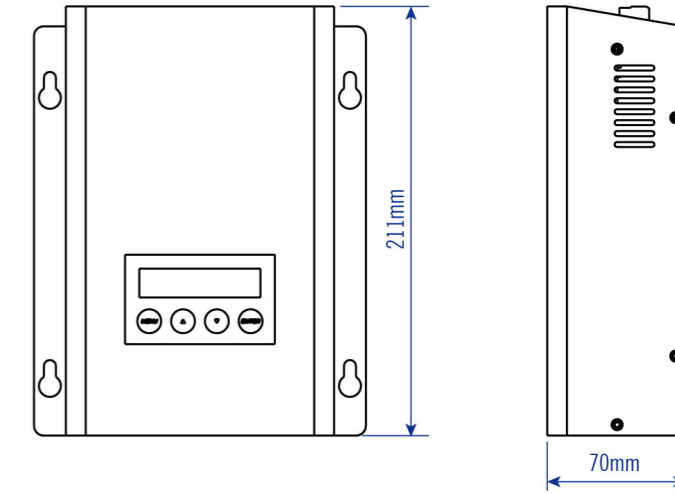
Specification

- | | |
|-----------------------|-------------------------------------|
| - Input voltage | AC100-240V 50-60Hz |
| - Rated power | 100W |
| - Refresh rate | 600Hz |
| - Output current | Constant 500mA Max. per channel |
| - Control option | RDM, DMX 512, Manual |
| - DMX channels | 1, 2 |
| - Operation | 2 x 16 digit display with 4 buttons |
| - Fixture output | 4 terminal block |
| - Power connection | Neutrik Powercon in/through |
| - DMX data connection | 5-pin XLR |
| - Housing | Metal |
| - Protection rating | IP-20 Indoor use only |
| - Dimension | L 211 x W 167 x H 70 mm |
| - Dry weight | 1.62 kg |



DARKFX DRIVE 4

Dimensions



Features

- Compact and robust design
- 4 output terminals for DarkFX UV fixtures
- Neutrik powercon in/thru
- 2 x 16 digit LCD display interface
- DMX control option

Specification

- | | |
|-----------------------|-------------------------------------|
| - Input voltage | AC100-240V 50-60Hz |
| - Rated power | 75W |
| - Refresh rate | 500Hz |
| - Output current | Constant 500mA Max. per channel |
| - Control option | DMX 512, Manual |
| - DMX channels | 1, 2 |
| - Operation | 2 x 16 digit display with 4 buttons |
| - Fixture output | 4 terminal block |
| - Power connection | Neutrik Powercon in/through |
| - DMX data connection | 5-pin XLR |
| - Housing | Metal |
| - Protection rating | IP-20 Indoor use only |
| - Dimension | L 211 x W 167 x H 70 mm |
| - Dry weight | 1.62 kg |





“Although a watch is a statement of character and fashion, its primary purpose is to measure and communicate our most important resource. That resource is time.

Time is the one thing in which we are all equal. We cannot make more of it no matter how much we try. No amount of money or effort will influence its passing. In the time we have available, every moment must be seized, every opportunity taken.

In a day an idea is borne of inspiration

In a week ideas develop into projects

In a month a prototype is realised, ready for testing

In a year a product enters the market, the end result of time invested and passion committed

A lifetime a record of achievements, of developed ideas, of effort and enthusiasm, from beginnings through growth to maturity; from obscurity to recognition.

This is our commitment to you. Our time is devoted to our partners, supporters and clients – to reach our shared aspirations.”



MODEL	RATED POWER	WARM UP TIME (approx.)	OUTPUT (Cuft / min)	FLUID TANK CAPACITY (LITER)	HANGING BRACKET	REMOTE CONTROL	DMX ON-BOARD	W-DMX ON-BOARD	TIMER REMOTE	WIRELESS REMOTE	25 ft. REMOTE EXTENSION	COMPATIBLE WITH DNG-100	DNG-100 ADAPTOR	MACHINE LINKABLE
AF-3 / AF-3X	127W	N/A	N/A	N/A	YES	• Z-3	YES	N/A	N/A	• WTR-10	EXT-1	N/A	N/A	YES
AF-4 / AF-4R	100W	N/A	N/A	N/A	YES	• Z-3	YES	N/A	N/A	AF-4R : WTR-20	EXT-1	N/A	N/A	YES
AF-5X / AF-5XR	1600W	N/A	N/A	N/A	• AF-5-HB	N/A	YES	N/A	N/A	AF-5R : WTR-10	N/A	N/A	N/A	YES
B-100 / B-100X	120V /30W, 240V / 32W	N/A	N/A	0.7	YES	• B-100X : Z-10	N/A	N/A	• B-100X : BCT-1	• B-100X : BCR-1	B-100X : EXT-1	N/A	N/A	N/A
B-200	120W	N/A	N/A	2	YES	N/A	YES	N/A	• BCT-1	• BCR-1	EXT-1	N/A	N/A	YES
NEW !! CH-1	120V / 700W, 240V / 1250W	8 minutes	N/A	2.5	N/A	N/A	YES	• W-DMX-PCBR	N/A	N/A	N/A	N/A	N/A	YES
DNG-100	120V / 750W, 240V / 600W	N/A	N/A	N/A	N/A	N/A	N/A	N/A	N/A	N/A	N/A	-	-	N/A
DNG-200	120V / 1400W	120V / 24 minutes	80m ² /min	10	N/A	N/A	YES	N/A	N/A	N/A	EXT-3	-	-	N/A
DNG-250	240V / 2500W	240V / 12 minutes	120m ² /min	10	N/A	N/A	YES	N/A	N/A	N/A	EXT-3	-	-	YES
F-1	800W	4.5 minutes	N/A	2.4	N/A	N/A	YES	• W-DMX-PCBR	N/A	• WTR-10	N/A	N/A	N/A	YES
F-4	1450W	1 minutes	N/A	5	N/A	N/A	YES	• WTR-40	N/A	• WTR-40	N/A	N/A	N/A	YES
F-7	1600W	8 minutes	N/A	5	N/A	N/A	YES	• W-DMX-PCBR	N/A	N/A	N/A	N/A	N/A	YES
FT-20	600W	1sce	N/A	0.4	N/A	• Z-3	YES	N/A	N/A	• WTR-20	EXT-1	N/A	N/A	YES
FT-50/FT-55	1450W	7.5 minutes	N/A	N/A	N/A	• FT-55 : FC-1	N/A	N/A	N/A	• FT-55 : FCR-1	N/A	N/A	N/A	N/A
FT-100	120V 1500W, 240V 1450W	8.5 minutes	N/A	6	N/A	• Z-3	YES	N/A	N/A	W-2	EXT-1	YES	FTA-1	YES
FT-200	1600W	7.5 minutes	8 meters height	2.4	N/A	• Z-3	YES	N/A	N/A	W-2	EXT-1	N/A	N/A	YES
HZ-100	180W	N/A	N/A	2.5	N/A	N/A	N/A	N/A	• HC-1	• HCR-1	EXT-1	N/A	N/A	N/A
HZ-350	390W	N/A	N/A	2.5	N/A	N/A	YES	N/A	• HC-1	W-1	EXT-1	N/A	N/A	YES
HZ-400	470W	N/A	N/A	2.5	N/A	N/A	YES	N/A	HC-1	• HCR-1	EXT-1	N/A	N/A	YES
HZ-500	120V / 500W, 240V / 480W	N/A	N/A	2.5	N/A	N/A	YES	N/A	N/A	N/A	N/A	N/A	N/A	YES
HZ-1000	1150W	N/A	N/A	6.4	N/A	N/A	YES	• W-DMX-PCBR	N/A	N/A	N/A	N/A	N/A	YES
ICE-101	1130W	4.5 minutes	43 m ² /min	2.5	N/A	N/A	YES	N/A	Z-8	N/A	EXT-6	N/A	N/A	YES
IP-1000	1070W	11.5 minutes	N/A	N/A	N/A	IP-10	N/A	N/A	N/A	N/A	N/A	YES	FTA-1	N/A
IP-1500	1550W	9 minutes	N/A	N/A	YES	N/A	YES	N/A	N/A	W-1	N/A	YES	FTA-1	YES
LCU-15	40W	N/A	N/A	N/A	N/A	N/A	YES	N/A	N/A	N/A	N/A	N/A	N/A	YES
LCU-25	55W	N/A	N/A	N/A	N/A	N/A	N/A	N/A	N/A	N/A	N/A	N/A	N/A	YES
M-4	1520W	5 minutes	6 meters height	2.4	N/A	N/A	YES	• W-DMX-PCBR	N/A	• WTR-30	N/A	N/A	N/A	YES
M-5	1500W	8 minutes	N/A	10	• M-5-HB	M-20	YES	• WTR-100	N/A	• WTR-100	N/A	N/A	N/A	YES
M-7X RGBA	1516W	7 minutes	10 meters height	2.4	N/A	N/A	YES	N/A	M-20	• M-30PRO	EXT-3	YES	FTA-1	YES
M-8	1700W	9.5 minutes	N/A	10	• M-5-HB	M-21	YES	• WTR-90	N/A	W-2	N/A	N/A	N/A	YES
M-9	1820W	14 minutes	10 meters height	6	N/A	N/A	YES	N/A	M-21	• M-31	EXT-3	YES	FTA-1	YES
M-10	3000W	9.5 minutes	N/A	10	N/A	M-20	YES	• WTR-90	N/A	W-2	N/A	N/A	N/A	YES
M-11	1600W	13 minutes	N/A	10	N/A	N/A	YES	N/A	M-20	• M-30PRO	EXT-3	YES	FTA-1	YES
MB-1	75W	1 sec	N/A	110 ml	N/A	N/A	N/A	• W-DMX-PCBR	N/A	• WTR-20	N/A	N/A	N/A	YES
MB-20	600W	1 sec	N/A	0.4	N/A	N/A	YES	• WTR-70	N/A	• WTR-70	N/A	N/A	N/A	YES
MB-55	1450W	7.5 minutes	N/A	N/A	N/A	• Z-3	N/A	N/A	• MCT-2	• MCR-1F	N/A	N/A	N/A	N/A
S-120	880W	N/A	N/A	5	YES	N/A	N/A	N/A	N/A	• WTR-20	EXT-1	N/A	N/A	YES
S-100X	880W	N/A	N/A	5	YES	SC-2	YES	N/A	N/A	• WTR-20	EXT-1	N/A	N/A	YES
S-200X	880W	N/A	N/A	5	YES	SC-2	YES	N/A	N/A	• FCR-1	N/A	N/A	N/A	N/A
SW-250	120V / 1290W, 240V / 880W	N/A	N/A	5	YES	• SC-2	YES	N/A	N/A	N/A	N/A	N/A	N/A	YES
SW-300	880W	N/A	N/A	5	YES	• SC-3	YES	N/A	N/A	W-1	EXT-6	N/A	N/A	YES
S-500	120V / 900W, 240V / 890W	N/A	N/A	20	N/A	• SC-3	YES	• W-DMX-PCBR	N/A	W-1	EXT-6	N/A	N/A	YES
W-101	30W	N/A	N/A	0.7	YES	N/A	N/A	• WTR-70	N/A	• WTR-20	EXT-6	N/A	N/A	YES
W-508	800W	2 minutes	N/A	0.8	N/A	N/A	N/A	N/A	N/A	• WTR-70	EXT-6	N/A	N/A	YES
W-510	1000W	13 minutes	N/A	2.8	• W-510-HB	N/A	YES	N/A	N/A	W-1	N/A	YES	FTA-1	YES
W-515D	1500W	10 minutes	N/A	6	• W-515-HB	N/A	YES	N/A	N/A	W-1	N/A	YES	FTA-1	YES
W-530D	2570W	12 minutes	N/A	6	• W-515-HB	N/A	YES	YES	N/A	W-1	N/A	YES	FTA-1	YES
W-715	1680W	7.5 minutes	8 meters height	2.4	N/A	N/A	YES	N/A	N/A	W-1	N/A	N/A	N/A	YES
Z-800II	800W	2 minutes	N/A	0.8	N/A	Z-10	N/A	N/A	N/A	• Z-40	EXT-1	N/A	N/A	N/A
Z-1000II	120V/1000W, 240V/1050W	6 minutes	N/A	1.7	YES	Z-10	YES	N/A	N/A	• Z-40	EXT-1	YES	FTA-2A	YES
Z-1020	1000W	13 minutes	5 meters height	2.4	N/A	Z-10	YES	N/A	N/A	• Z-40	EXT-1	N/A	N/A	N/A
Z-1200II	120V/1200W, 240V/1300W	10 minutes	N/A	2.5	YES	N/A	YES	N/A	N/A	• Z-9	EXT-6	YES	FTA-2A	YES
Z-1500II	1500W	10 minutes	N/A	6	N/A	Z-20	YES	N/A	N/A	• Z-30PRO	EXT-3	YES	FTA-3	YES
Z-3000II	2500W	12 minutes	N/A	6	N/A	Z-20	YES	N/A	N/A	• Z-30PRO	EXT-3	YES	FTA-3	YES
Z-350	120V/700W, 240V/750W	4.5 minutes	N/A	1.3	N/A	• Z-3	YES	N/A	N/A	N/A	EXT-1	N/A	N/A	YES
Z-390	120V / 1000W , 240V / 1450W	1.5 minutes	N/A	4	YES	• Z-3	YES	N/A	N/A	• WTR-20	EXT-1	N/A	N/A	YES
Z-1520	1600W	5 minutes	6 meters height	2.4	N/A	N/A	YES	N/A	N/A	W-2	N/A	N/A	N/A	YES