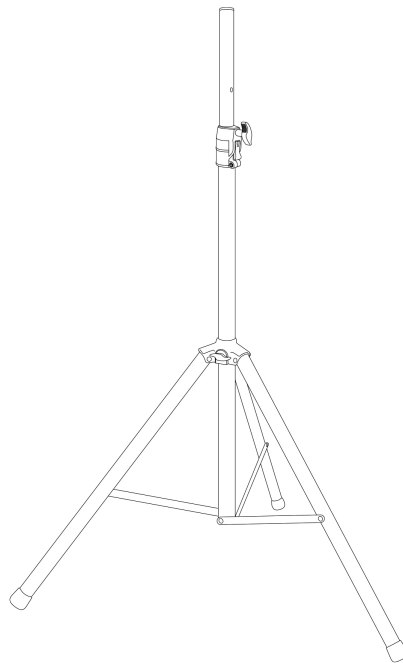


novopro

SS3R

I N S T R U C T I O N M A N U A L



Manual version 1.0

This user manual will help you assemble and operate this product safely and quickly, so please spend a couple of minutes to read through the enclosed information.

Due to continuous product development, please check for the latest version of this product manual at:

www.novopro.co.uk

Designed and engineered in the UK and manufactured in China for Novopro Ltd.

Novopro Ltd is a trade-only supplier and only supply wholesale to trade resellers.

At the end of the products working life, please take it to a recycling plant for environmentally friendly disposal.

Due to continuous product development, specifications and appearance are subject to change. E&OE. © Copyright Novopro Ltd.

Thank you for purchasing this Novopro product.

Unpacking and safety Please unpack your new product carefully. Your product should reach you in perfect condition. Please check that no damage has occurred during transit. If any damage is found, **please contact the retailer you purchased it from immediately.**

Packing list

- A:** 2 x SS3R speaker stands with auto-lock ratchet system
- B:** 1 x carry bag
- C:** 1 x instruction manual (this document)

The Novopro SS3R speaker stand has been designed for ease of use as well as safety. The stand has an integral auto-lock ratchet system which allows you to adjust the height and lock the stand to that height without the usual slipping and hassle of standard speaker stands.

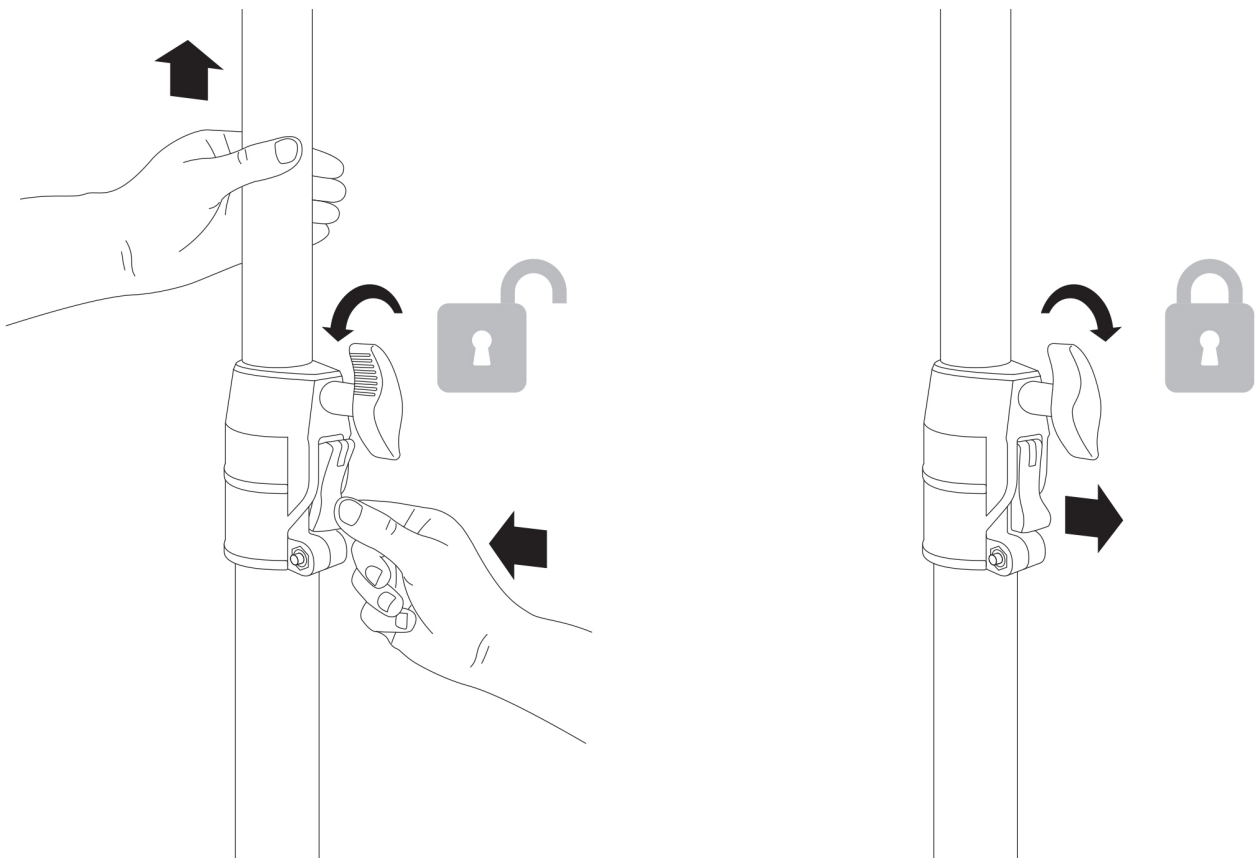
Expand the three legs of the stand by loosening the thumb screw in the middle of the stand and pulling the legs apart (see diagram on the front of this manual) and then tighten the thumb bolt to lock the leg position in place.

Unlock the adjustable section of the pole by loosening the thumb screw by rotating it anti-clockwise (see diagram below).

Now press the auto-lock ratchet button (see diagram below). **At the same time**, pull the upper pole upwards.

When the pole has reached your desired height, release (let-go-of) the auto-lock ratchet button and tighten the thumb screw by rotating it clockwise. This will **lock** the pole at the height you need.

To reduce the overall height of the pole, begin by loosening the thumb screw by rotating it anti-clockwise. Next press the auto-lock ratchet button whilst **at the same time (as a safety measure) supporting the weight of the speaker.** The upper pole and speaker will now lower down by gravity along with the gas-assisted brake. When the pole reaches your desired height, release (let-go-of) the auto-lock ratchet button and tighten the thumb screw by rotating it clockwise. This will **lock** the pole into place at your required height.



The stand will now be sufficiently stable but due diligence and appropriate safety measures must be implemented and adhered to within public areas. It is the user's responsibility to use the product in a safe manner and within current Health and Safety Guidelines.

Specifications

- Height: 1250mm – 2000mm / 49 – 78.7 inches
- Maximum load: 60Kg / 132lb
- Material: Ø 35mm / 1.37 inches aluminium pole and steel outer pole
- Surface and colour: black powder coated
- Weight: 3.7Kg / 8lb 2.5oz

Due to continuous product development, specifications and appearance are subject to change. E&OE. © Copyright Novopro Ltd.