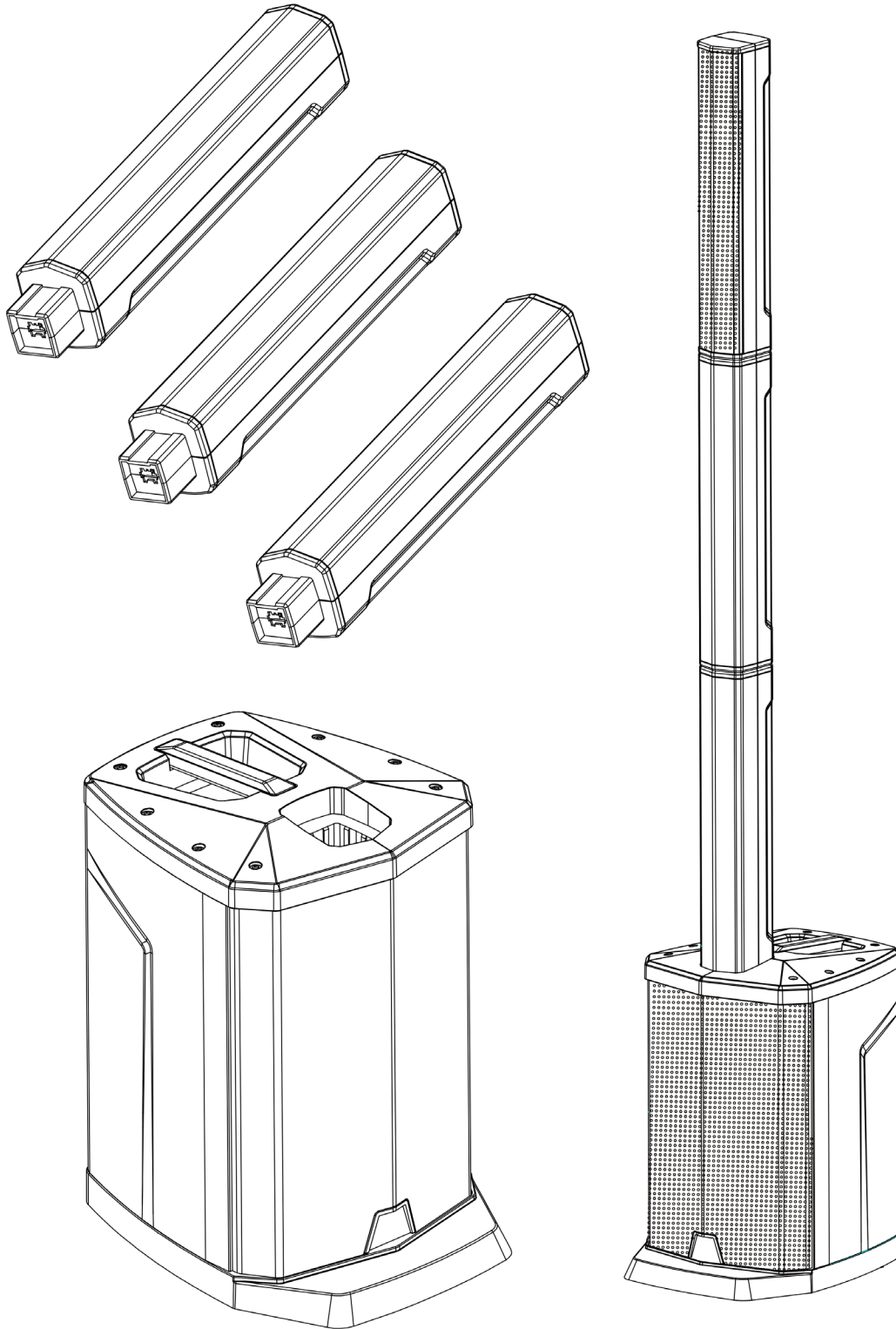


AMERICAN AUDIO



APX CS8 User Manual

©2021 ADJ PRODUCTS LLC®, all rights reserved. Information, specifications, diagrams, images, and instructions herein are subject to change without notice. ADJ® and AMERICAN AUDIO® logos and identifying product names and numbers herein are trademarks of ADJ PRODUCTS LLC. Copyright protection claimed includes all forms and matters of copyrightable materials and information now allowed by statutory or judicial law or hereinafter granted. Product names used in this document may be trademarks or registered trademarks of their respective companies and are hereby acknowledged. All non-AMERICAN AUDIO® brands and product names are trademarks or registered trademarks of their respective companies. ADJ PRODUCTS LLC and all affiliated companies hereby disclaim any and all liabilities for property, equipment, building, and electrical damages, injuries to any persons, and direct or indirect economic loss associated with the use or reliance of any information contained within this document, and/or as a result of the improper, unsafe operation of this product.

AMERICAN AUDIO® World Headquarters

6122 S. Eastern Ave. Los Angeles, CA 90040 USA

Tel: 323-582-2650

Fax: 323-582-2610

www.americanaudio.us | info@americanaudio.us

American DJ Europe

Junostraat 2

6468 EW Kerkrade

Netherlands

Tel: +31 45 546 85 00

Fax: +31 45 546 85 99

www.americandj.eu | service@americandj.eu

DOCUMENT VERSION



An updated version of this document may be available online. Please check <http://www.americanaudio.us> for the latest version of this manual.

Date	Document Version	Notes
07/01/2021	1	Initial Release
09/25/2021	2	Change "SPL Output" from "20HZ-250Hz 250Hz-19KHz" to "108dB max"

CONTENTS

General Information	4
Warranty	5
Safety Instructions Guidelines	7
Overview	9
Setup	10
Installation	11
Maintenance	12
Troubleshooting Tips	13
Specifications	14

GENERAL INFORMATION

INTRODUCTION

Please read and understand all instructions in this manual carefully and thoroughly before attempting to operate these products. These instructions contain important safety and use information.

UNPACKING

The products in this kit have been thoroughly tested and have been shipped in perfect operating condition. Carefully check the shipping carton for damage that may have occurred during shipping. If the carton appears to be damaged, carefully inspect each unit included for damage and be sure all accessories necessary to operate the units have arrived intact. In the event damage has been found or parts are missing, please contact our customer support team for further instructions. Please do not return this kit to your dealer without first contacting customer support at the number listed below. Please do not discard the shipping carton in the trash. Please recycle whenever possible.

WARRANTY RETURNS

All returned service items whether under warranty or not, must be freight pre-paid and accompany a return authorization (R.A.) number. The R.A. number must be clearly written on the outside of the return package. A brief description of the problem as well as the R.A. number must also be written down on a piece of paper and included in the shipping container. If the unit is under warranty, you must provide a copy of your proof of purchase invoice. Items returned without a R.A. number clearly marked on the outside of the package will be refused and returned at customer's expense. You may obtain a R.A. number by contacting customer support.

LIMITED WARRANTY (USA ONLY)

- A. American Audio® hereby warrants, to the original purchaser, American Audio® products to be free of manufacturing defects in material and workmanship for a period of 1 Year (365 days) from the date of purchase. This warranty shall be valid only if the product is purchased within the United States of America, including possessions and territories. It is the owner's responsibility to establish the date and place of purchase by acceptable evidence, at the time service is sought.
- B. For warranty service, send the product only to the American Audio® factory. All shipping charges must be pre-paid. If the requested repairs or service (including parts replacement) are within the terms of this warranty, American Audio® will pay return shipping charges only to a designated point within the United States. If the entire instrument is sent, it must be shipped in its original package. No accessories should be shipped with the product. If any accessories are shipped with the product, American Audio® shall have no liability whatsoever for loss of or damage to any such accessories, nor for the safe return thereof.
- C. This warranty is void if the serial number has been altered or removed; if the product is modified in any manner which American Audio® concludes, after inspection, affects the reliability of the product; if the product has been repaired or serviced by anyone other than the American Audio® factory unless prior written authorization was issued to purchaser by American Audio®; if the product is damaged because not properly maintained as set forth in the instruction manual.
- D. This is not a service contract, and this warranty does not include maintenance, cleaning or periodic check-up. During the period specified above, American Audio® will replace defective parts at its expense, and will absorb all expenses for warranty service and repair labor by reason of defects in material or workmanship. The sole responsibility of American Audio® under this warranty shall be limited to the repair of the product, or replacement thereof, including parts, at the sole discretion of American Audio®. All products covered by this warranty were manufactured after January 1, 1990, and bear identifying marks to that effect.
- E. American Audio® reserves the right to make changes in design and/or improvements upon its products without any obligation to include these changes in any products theretofore manufactured.
- F. No warranty, whether expressed or implied, is given or made with respect to any accessory supplied with products described above. Except to the extent prohibited by applicable law, all implied warranties made by American Audio® in connection with this product, including warranties of merchantability or fitness, are limited in duration to the warranty period set forth above. And no warranties, whether expressed or implied, including warranties of merchantability or fitness, shall apply to this product after said period has expired. The consumer's and or Dealer's sole remedy shall be such repair or replacement as is expressly provided above; and under no circumstances shall American Audio® be liable for any loss or damage, direct or consequential, arising out of the use of, or inability to use, this product.
- G. This warranty is the only written warranty applicable to American Audio® products and supersedes all prior warranties and written descriptions of warranty terms and conditions heretofore published.

CUSTOMER SUPPORT

American Audio® provides a customer support line, to provide set up help and to answer any question should you encounter problems during your set up or initial operation. You may also visit us on the web at www.americanaudio.us for any comments or suggestions. For service related issue please contact us.

AMERICAN AUDIO SERVICE USA - Monday - Friday 8:00am to 4:30pm PST

Voice: 323-582-2650 Fax: 323-582-2610

E-mail: service@americandj.com

AMERICAN AUDIO SERVICE EUROPE - Monday - Friday 08:30 to 17:00 CET

Voice: +31 45 546 85 30 Fax: +31 45 546 85 96

E-mail: <https://www.americandj.eu/en/contacts>

WARRANTY REGISTRATION

Please complete and mail in the enclosed warranty card to validate your purchase. All returned service items whether under warranty or not, must be freight pre-paid and accompany a return authorization (R.A.) number. The R.A. number must be clearly written on the outside of the return package. A brief description of the problem as well as the R.A. number must also be written down on a piece of paper and included in the shipping container. If the unit is under warranty, you must provide a copy of your proof of purchase invoice. Items returned without a R.A. number clearly marked on the outside of the package will be refused and returned at customer's expense. You may obtain a R.A. number by contacting customer support.

IMPORTANT NOTICE!

There are no user serviceable parts inside this device. Do not attempt any repairs yourself; doing so will void your manufactures warranty. Damages resulting from modifications to this fixture and/or the disregard of safety and general user instructions found in this user manual void the manufactures warranty and are not subject to any warranty claims and/or repairs.

SAFETY GUIDELINES

This speaker is a sophisticated piece of electronic equipment. To guarantee a smooth operation, it is important to follow all instructions and guidelines in this manual. AVANTE is not responsible for injury and/or damages resulting from the misuse of this speaker due to the disregard of the information printed in this manual. Only qualified and/or certified personnel should perform the installation of this speaker and all included and/or optional rigging accessories. Only the original included and/or optional rigging parts and accessories for this speaker should be used for proper installation. Any modifications to the speaker, included and/or optional rigging parts and accessories will void the original manufactures warranty and increase the risk of damage and/or personal injury.



PROTECTION CLASS 1 – SPEAKER MUST BE PROPERLY GROUNDED

TO REDUCE RISK OF ELECTRICAL SHOCK, DO NOT REMOVE ANY COVER.

THERE ARE NO USER SERVICEABLE PARTS INSIDE THIS SPEAKER.

DO NOT ATTEMPT ANY REPAIRS YOURSELF; DOING SO WILL VOID YOUR MANUFACTURES WARRANTY. DAMAGES RESULTING FROM MODIFICATIONS TO THIS SPEAKER AND/OR THE DISREGARD OF SAFETY INSTRUCTIONS AND GUIDELINES IN THIS MANUAL VOID THE MANUFACTURES WARRANTY AND ARE NOT SUBJECT TO ANY WARRANTY CLAIMS AND/OR REPAIRS. NEVER OPEN THIS SPEAKER WHILE IN USE! UNPLUG POWER BEFORE SERVICING SPEAKER!

KEEP FLAMMABLE MATERIALS AWAY FROM SPEAKER!



DRY LOCATIONS USE ONLY!

DO NOT EXPOSE SPEAKER TO RAIN AND/OR MOISTURE!

DO NOT SPILL WATER AND/OR LIQUIDS ON OR INTO THE SPEAKER!

This speaker is for **PROFESSIONAL USE ONLY!** Read all **INSTRUCTIONS** and follow all **WARNINGS!**

DO NOT use speaker near wet and/or damp locations. Speaker must be kept away from direct contact with liquids and must not be exposed to water/liquid dripping or splashing.

DO NOT attempt installation and/or operation without knowledge how to do so. Consult a professional sound equipment installer for proper and safe speaker installation. **ONLY** the original included, and/or optional rigging parts and accessories listed in this manual should be used for proper installation and use.

DO NOT expose any part of the speaker to open flame or smoke, or position speaker close to any flammable materials while operating. Be sure to install this speaker in an area that will allow proper ventilation. Allow approximately 6 inches (152mm) behind the speaker cabinet for proper cooling. The speaker contains an internal power amplifier that produces heat during use. Keep speaker away from heat sources such as radiators, heat registers, stoves, or other appliances (including amplifiers) that produce heat.

DO NOT operate speaker if power cord is frayed, crimped, damaged, and/or if any of the power cord connectors are damaged and do not insert into the speaker securely with ease. **NEVER** force a power cord connector into the speaker. If the power cord or any of its connectors are damaged, replace it immediately with a new one of similar power rating.

DO NOT disassemble speaker, there are NO user serviceable parts inside. Refer all servicing to qualified service personnel. Servicing is required when the speaker has been damaged in any way, such as power-supply cord or plug is damaged, liquid has been spilled and/or objects have fallen into the speaker, the speaker has been exposed to rain and/or moisture, does not operate normally, or has been dropped.

DO NOT defeat the safety purpose of the polarized or grounding-type plug. A polarized plug has two blades with one wider than the other. A grounding type plug has two blades and a third grounding prong. The wide blade or the third prong is provided for your safety. If the provided plug does not fit into your outlet, consult an electrician for replacement of the obsolete outlet.

SAFETY GUIDELINES

POWER SOURCES: This product must be connected to a power supply only of the type described in these operating instructions, or as marked on the unit. This product is Country Specific.

PROTECTIVE EARTHING TERMINAL: The speaker should be connected to a mains socket outlet with a protective earth-ground/earthing connection.

ONLY handle power cord by the plug end, never pull the plug out by tugging the wire portion of the cord.

DO NOT use solvents or glass cleaner to clean speaker. Clean only with a dry cloth.

ALWAYS disconnect speaker from main power source before performing any servicing or cleaning procedure.

CAUTION: To avoid physical damage, read the installation instructions carefully before installation.

CAUTION: Listening to speakers at high volume for extended time or within immediate proximity may damage hearing.

CAUTION: Speakers should be installed/operated by qualified and trained professionals **ONLY**.

CAUTION: Always mount speakers in a safe and stable manner.

CAUTION: Wear appropriate safety equipment during speaker installation.

CAUTION: Route power and audio cables so that they are **NOT** likely to be walked on or pinched.

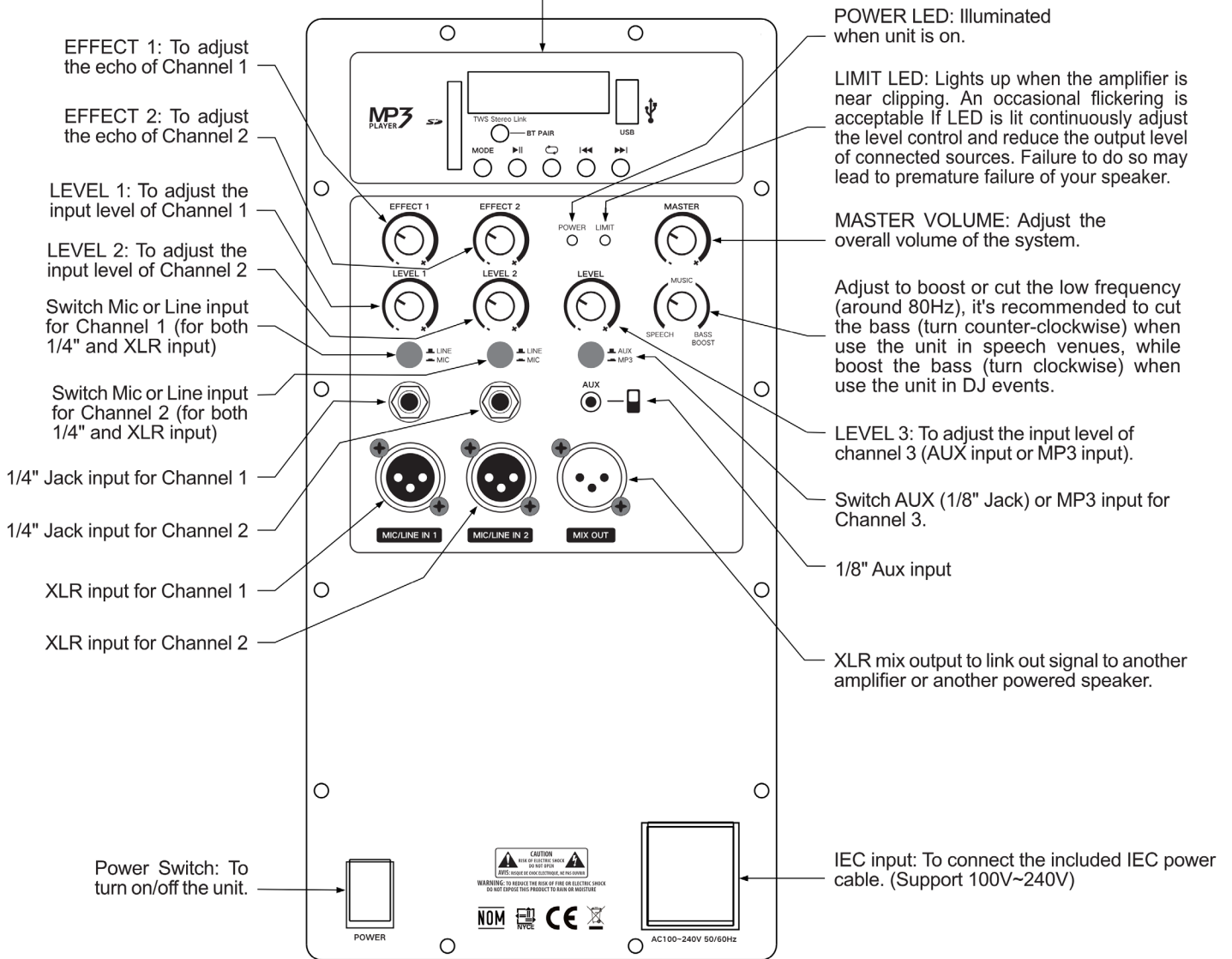
CAUTION: Unplug the speaker during lightning storms and/or when unused for long periods of time.

ONLY use the original packaging materials and/or case to transport the speaker in for service.

PLEASE recycle shipping boxes and packaging whenever possible.

OVERVIEW

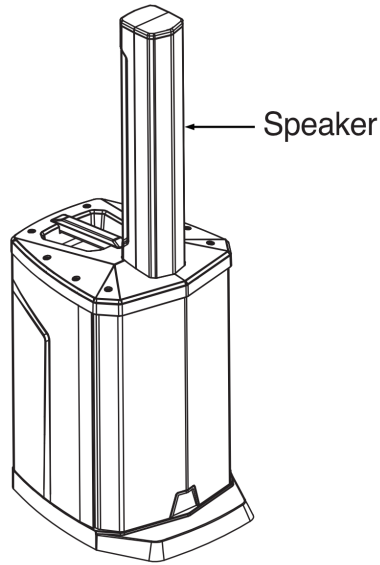
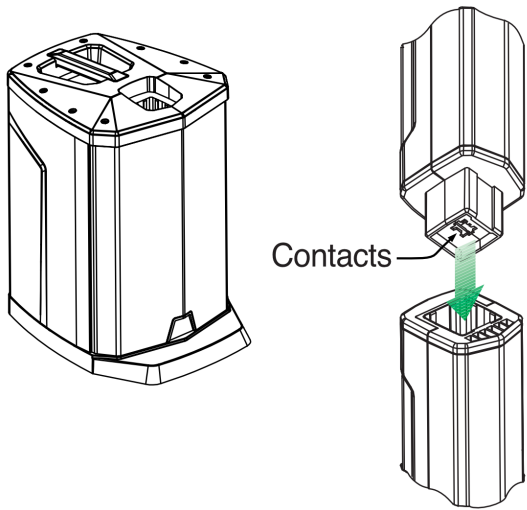
MODE	Long press to turn the MP3 module on/off, and short press to interchange USB/SD/Bluetooth modes.
▶	Play/Pause
↺	Repeat
⏮	Previous Song
⏭	Next Song
BT PAIR	TWS bluetooth pairing function to pair the other speaker



SETUP

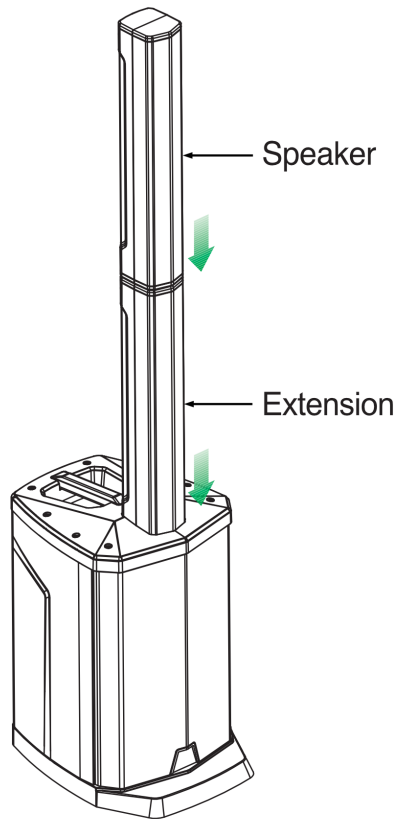
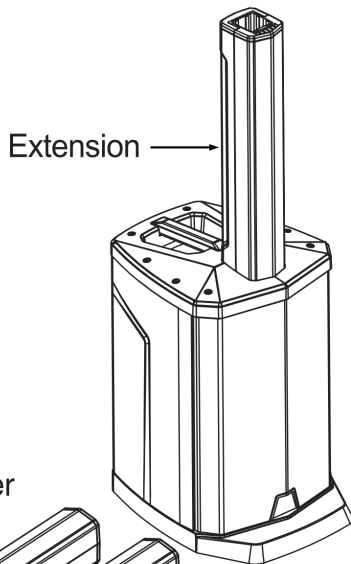
Position the APX CS8 in the desired location and ensure that the speaker is stable. Make sure the POWER switch is OFF.

Align the plug on the bottom of the Speaker with the socket on the top of the powered subwoofer, or an Extension, then push it firmly in place to fully seat device contacts.

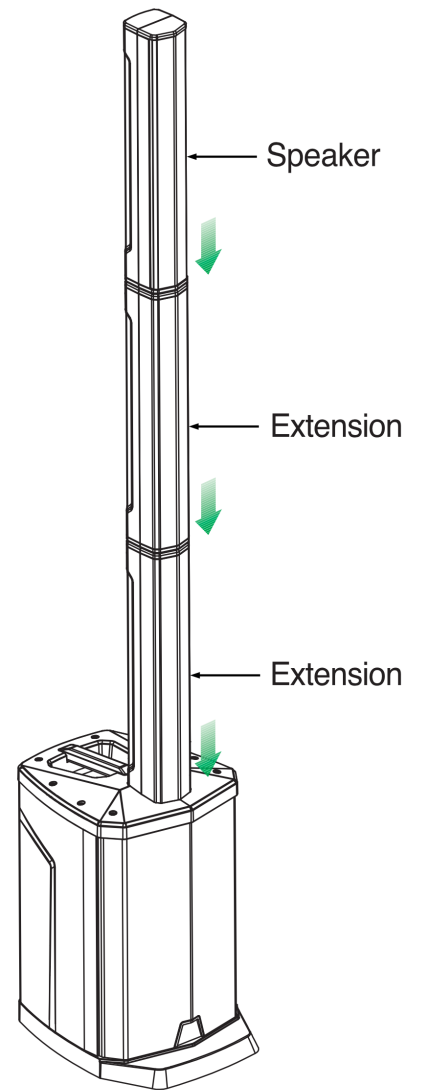


Speaker only

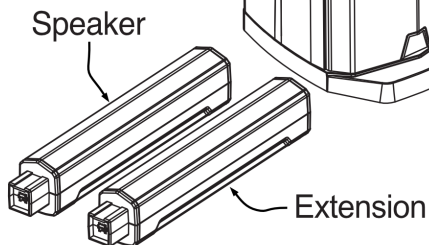
To place the speaker higher, add one or both extensions. Note that each Extension has a plug and socket, whereas the Speaker has just the plug.



Single Extension



Double Extension



INSTALLATION



**DO NOT INSTALL SPEAKERS IF YOU ARE NOT QUALIFIED TO DO SO!
INSTALLATION BY QUALIFIED TECHNICIANS ONLY!**



INSTALLATIONS SHOULD BE CHECKED BY A QUALIFIED PERSON ONCE A YEAR!



FLAMMABLE MATERIAL WARNING

Keep speaker a minimum of 5.0 feet (1.5m) away from flammable materials and/or pyrotechnics.



ELECTRICAL CONNECTIONS

A qualified electrician should complete all electrical connections and/or installations.



USE CAUTION WHEN POWER LINKING MULTIPLE SPEAKERS AS THE POWER CONSUMPTION OF OTHER SPEAKER MODELS MAY EXCEED THE MAX POWER OUTPUT ON THIS SPEAKER. CHECK SILK SCREEN ON SPEAKER FOR MAX AMPS.

WARNING! The safety and suitability of any lifting equipment, installation location/platform, anchoring/rigging/mounting method, hardware, and electrical installation is the sole responsibility of the installer.

Install speaker(s), all speaker accessories, and all anchoring/rigging/mounting hardware following all local, national, and country commercial, electrical, and construction codes and regulations.

Install speakers(s) in areas outside walking paths, seating areas, or away from areas where unauthorized personnel might reach the speaker(s) by hand.

Take all appropriate precautions and safety measures when placing equipment in potentially dangerous locations, especially where public safety is a concern.

MAINTENANCE GUIDELINES

Regular maintenance is necessary to optimize the potential functional lifespan of the speakers.

1. Read the installation and operation instructions for correct operation of the speakers.
2. Although the speakers are rugged and designed to withstand limited impact forces when installed correctly, take care to avoid impact damage when handling or transporting speakers, especially the speaker mesh screen.
3. The speakers should be serviced by a qualified service technician when:
 - A. Objects have fallen, or liquid has been spilled into the speaker.
 - B. Been exposed to rain or water conditions.
 - C. Does not appear to operate normally or exhibits a marked change in performance.
 - D. Has fallen and/or been subjected to extreme handling.
4. Check each speaker for loose screws and/or other fasteners.
5. If the speaker installation is fixed or displayed for a lengthy time, regularly inspect all rigging and installation equipment, and replace or repair it as necessary, and during long periods of non-use, disconnect the main power to the unit.
6. If while conducting an electrical test a circuit shorts, a breaker-switch trips, wires burn, and or any other abnormality appears, discontinue testing, and troubleshoot units to find the problem before continuing with any testing or operation.
7. The speakers are designed for dry locations use only.
8. When not in use, store speakers in a dry, well ventilated storage location.

TROUBLESHOOTING

Mixer and Amplifier Will Not Turn On

Is the included power cord correctly connected to a power outlet? (Is it plugged in?)

Amplifier Turns Off Suddenly

Are any vents of the mixer blocked? Since inadequate venting will cause the product to overheat, turn off the mixer and uncover the vents to allow the product and its internal amplifier to cool. After a few minutes, the product should reset itself and can return to normal playback.

Is the POWER/CLIP LED flashing continuously?

If the POWER/CLIP LED is flashing, the amplifier is being used beyond its design capabilities. Turn off and on and resume playback.

No Sound From the Speaker(s)

Are external instruments and/or microphones correctly connected to inputs? Are those sources powered on, and is all cabling functional? Are the input gain controls of all active inputs set appropriately? If using Bluetooth®, is the AUX/BLUETOOTH switch set to Bluetooth, have your source device and AS8 successfully paired, is your source device still active (not asleep or out of battery power), and audio with its output level control set appropriately?

Distortion/Noise in the Audio Signal, Low Output Level

You will generally get the lowest noise (hiss) by setting source device output to max., and then making any reductions of the volume via the input gain knobs. Are the output levels of any source devices set appropriately? Are the INPUT GAIN controls for all inputs set to appropriate levels? Are the MIC/LINE switches of each input set appropriately? Are both the STEREO jack and the -10dB LINE IN jacks on INPUT 3 being used (connected) at the same time? If the POWER/CLIP LED is lighting, you should try adjusting each INPUT GAIN knob in turn to find which is the source of clipping.

Sound Level is too loud During Voice Announcements

Is the INPUT GAIN level for the mic input set too high? Are the levels for your other inputs set too low, either on the source device(s), or at their INPUT GAIN controls.

What is the Bluetooth® audio range of the AS8 system?

Effective line-of-sight range is up to 50 feet. The wireless performance of the AS8 is significantly affected by walls or metal, interference by WiFi or other wireless devices.

SPECIFICATIONS

Description: 8 inch Column Speaker with subwoofer and 4*2.5inch drivers

System type: Powered subwoofer with four treble-reflex enclosures

SPL Output: 108dB max

AC Input: AC115V~230V 50/60HZ

Amplifier: Class-D Power System

RMS Power: 100W CLASS-D

Output Connectors: XLR outputs

MIXER Input Impedance: Ch1-4 inputs (2Mono Mic/Line,Stereo)

Signal Indicators: Main Output LED Ladder

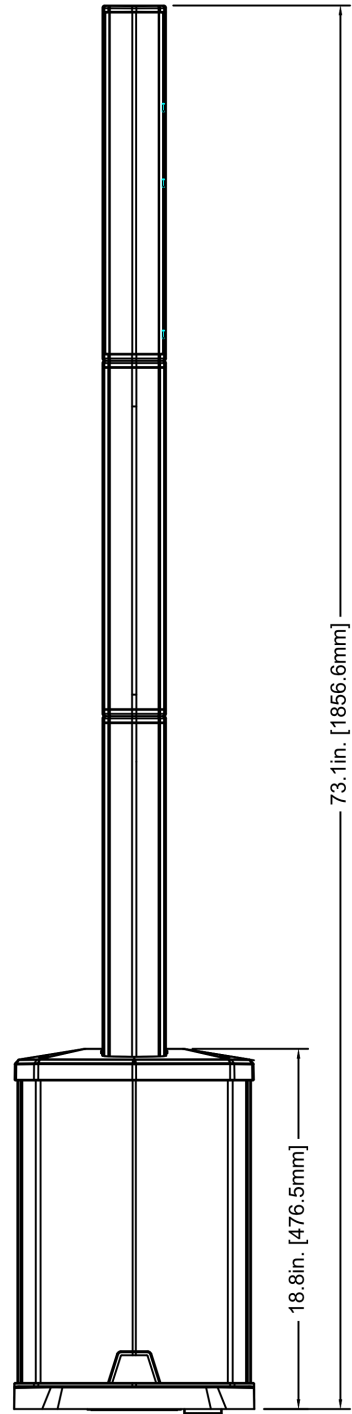
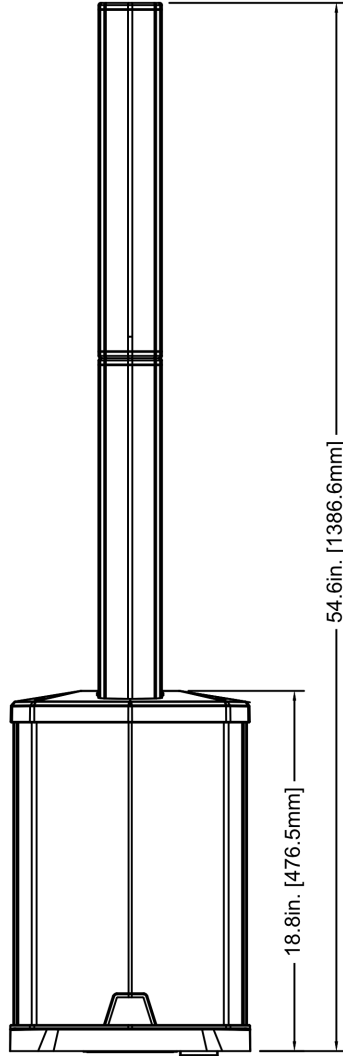
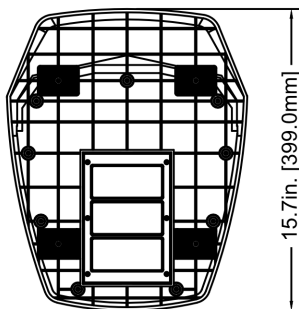
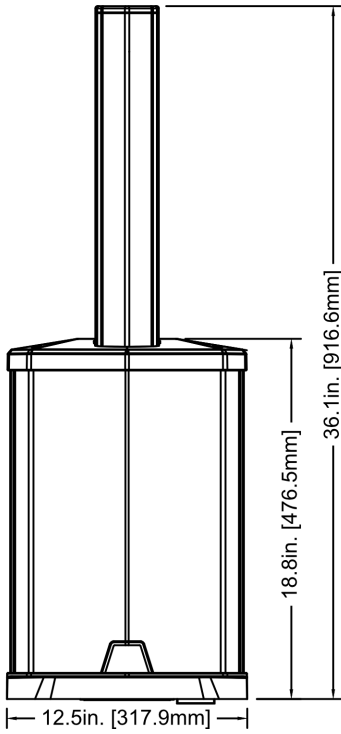
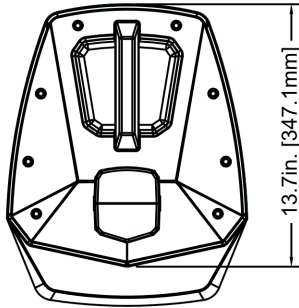
SPEAKER LF Woofer: 8" Woofer , 4*2.5" Driver

Grill: Power coated perforated steel

N.W: 18KGS

G.W:19KGS

DIMENSIONS



FCC STATEMENT

This device complies with Part 15 of the FCC Rules. Operation is subject to the following two conditions: (1) this device may not cause harmful interference, and (2) this device must accept any interference received, including interference that may cause undesired operation.

FCC RADIO FREQUENCY INTERFERENCE WARNINGS & INSTRUCTIONS

This product has been tested and found to comply with the limits as per Part 15 of the FCC Rules. These limits are designed to provide reasonable protection against harmful interference in a residential installation. This device uses and can radiate radio frequency energy and, if not installed and used in accordance with the included instructions, may cause harmful interference to radio communications. However, there is no guarantee that interference will not occur in a particular installation. If this device does cause harmful interference to radio or television reception, which can be determined by turning the device off and on, the user is encouraged to try to correct the interference by one or more of the following methods:

- Reorient or relocate the device.
- Increase the separation between the device and the receiver.
- Connect the device to an electrical outlet on a circuit different from which the radio receiver is connected.
- Consult the dealer or an experienced radio/TV technician for help.

Europe Energy Saving Notice

Energy Saving Matters (EuP 2009/125/EC)

Saving electric energy is a key to help protecting the environment. Please turn off all electrical products when they are not in use. To avoid power consumption in idle mode, disconnect all electrical equipment from power when not in use. Thank you

