



## FS Pan Glide - Installation Guide



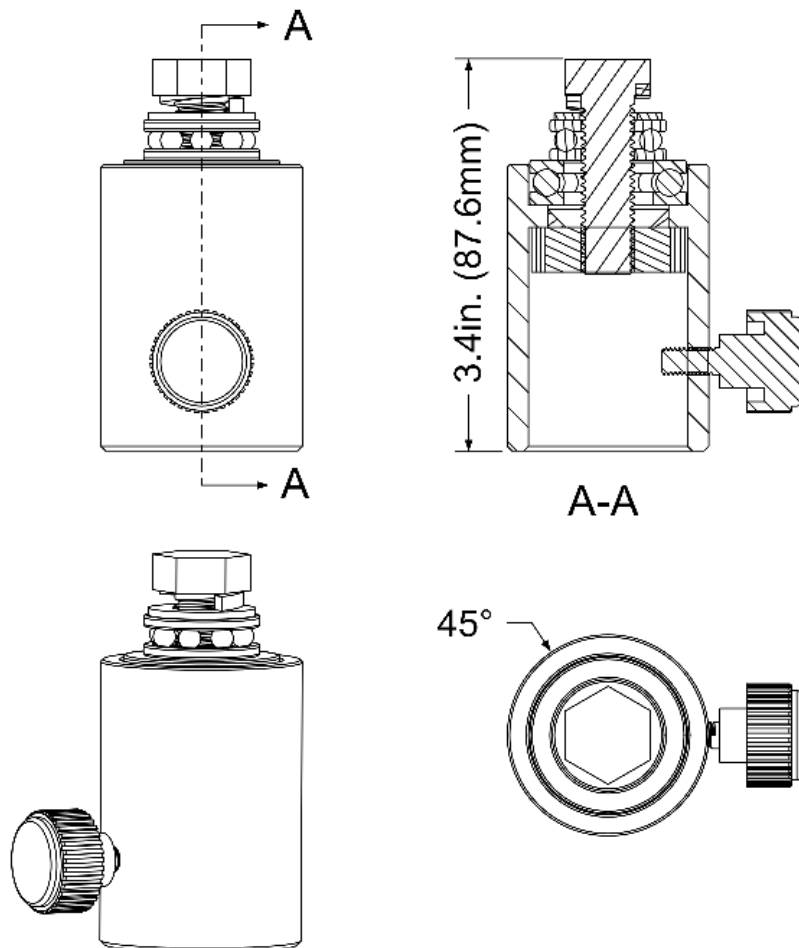
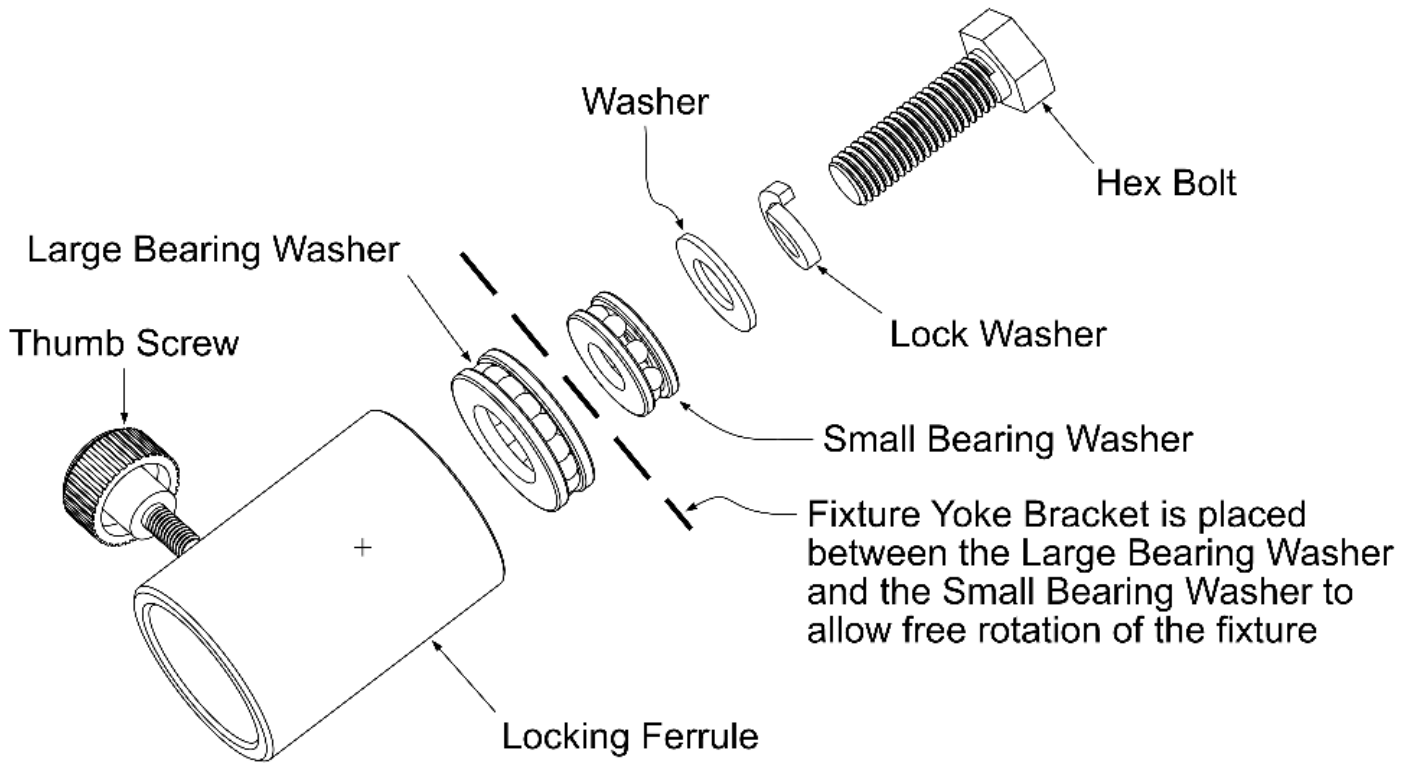
1. Align the mounting hole of the fixture yoke with the threaded hole of the Locking Ferrule on the FS Pan Glide, then insert and tighten the silver hex bolt and its washer assembly (see Washer Assembly Stack Sequence on next page). **Be careful to not drop or lose the washers in the process.** The fixture is now attached to the FS Pan Glide.



2. Slip the FS Pan Glide over the end of the shaft of the fixture stand, then tighten the Thumb Screw on the side of the Locking Ferrule of the FS Pan Glide to secure assembly.

*NOTE: When uninstalling your fixture, it is highly advisable to detach the FS Pan Glide from the vertical shaft of the fixture stand. This allows the FS Pan Glide to remain secured to the fixture yoke, thus minimizing the chance of losing or misplacing the mounting bolt or washers.*

# FS Pan Glide - Washer Assembly Stack Sequence





# Pan Glide Installation Guide

©2020 ADJ PRODUCTS LLC all rights reserved. Information, specifications, diagrams, images, and instructions herein are subject to change without notice. ADJ logo and identifying product names and numbers herein are trademarks of **ADJ PRODUCTS LLC**. Copyright protection claimed includes all forms and matters of copyrightable materials and information now allowed by statutory or judicial law or hereinafter granted. Product names used in this document may be trademarks or registered trademarks of their respective companies and are hereby acknowledged. All non-ADJ brands and product names are trademarks or registered trademarks of their respective companies. **ADJ PRODUCTS LLC** and all affiliated companies hereby disclaim any and all liabilities for property, equipment, building, and electrical damages, injuries to any persons, and direct or indirect economic loss associated with the use or reliance of any information contained within this document, and/or as a result of the improper, unsafe, insufficient and negligent assembly, installation, rigging, and operation of this product.

**ADJ PRODUCTS LLC World Headquarters** | 6122 S. Eastern Ave. | Los Angeles, CA. 90040  
323-582-2650 | 323-832-2941 fax | [www.adj.com](http://www.adj.com) | [info@adj.com](mailto:info@adj.com)

**ADJ Products Group Mexico** | AV Santa Ana 30 | Parque Industrial Lerma, Lerma, Mexico 52000  
+52 (728) 282-7070

**UNPACKING** This product has been thoroughly tested and has been shipped in perfect condition. Carefully check the shipping carton for damage that may have occurred during shipping. If the carton appears to be damaged, carefully inspect your product for damage and be sure all accessories necessary to assemble the product have arrived intact. In the event damage has been found or parts are missing, please contact our customer support team for further instructions. Please do not return this product to your dealer without first contacting customer support at the number listed below. Please do not discard the shipping carton in the trash. Please recycle whenever possible.

**CUSTOMER SUPPORT ADJ** provides a customer support line, to provide set up help and to answer any questions should you encounter problems during your set up or initial operation. Visit us on the web at [www.adj.com](http://www.adj.com) for any comments or suggestions. For service related issues please contact ADJ.

**ADJ SERVICE USA** - Monday - Friday 8:00am to 4:30pm PST | 800-322-6337 | Fax: 323-832-2941 | [support@adj.com](mailto:support@adj.com)