



BEAMER 44

LCG-1044 / LED WASH IP65

Specifications

Technical Data

LED Type: 10W RGBW 4in1 LEDs
 LED Count: 44
 LED Colors: RGBW

Movement

Resolution: 8-16 Bit
 Tilt (Degrees): 185°

Control

Control Modes: 5CH / 12CH (CTC)
 Display: LCD
 Protocol: USITT DMX-512, RDM
 RDM: Bidirectional communication
 Cooling: Temperature controlled, overheating protection

Effects

Dimmer: 0-100% electronic
 Dimmer mode: 5
 Angle: 25° (35°, 45° optional)
 Internal: 3 Color Auto Run Effects

Connectors

Signal connection: Seetronic IP65 XLR 5-Pin or 3-Pin In/Out
 Power Input: Seetronic powerCON TRUE1 In/Out

Operating Conditions

Mains voltage: 100-240V AC / 50-60Hz
 Power: 400W
 Maximum ambient temperature: -30°C / 86°F, 50°C / 122°F
 Operating Position: Any

Mounting Options

Standing: Body feet
 Hanging: Omega-Bracket
 Safety wire attachment: foldout eyelets

Shipping

Single fixture: cardboard (inner and outer cartons)
 Tourpack: 4-way Flight Case

Housing Color

Standard color: Black

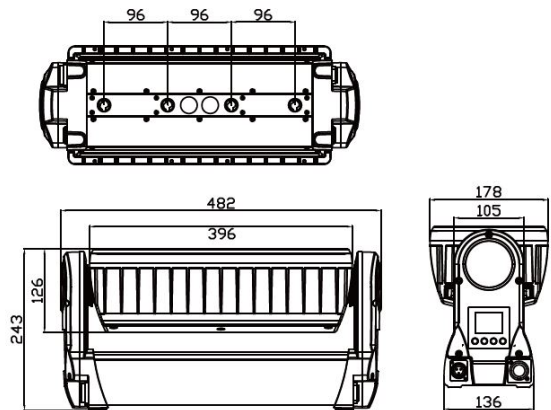
Dimensions

Length: 482 mm / 18.9 in
 Width: 178 mm / 9.0 in
 Height (head horizontal): 243 mm / 9.5 in

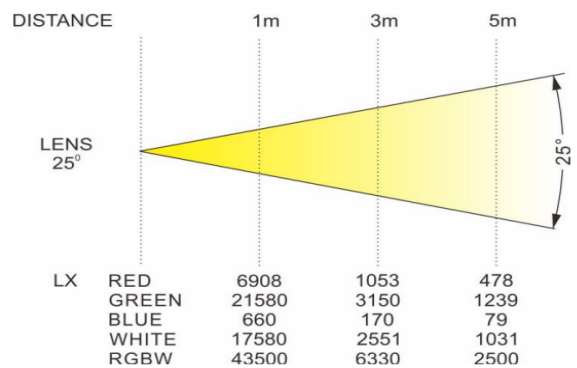
Weight N.W: 10 kg / G.W: 12.5 kg



Dimensions



Photometrics



L.C. GROUP | 422, Chemin des Prairies, Joliette, Québec, Canada, J6E 4J8
 Tel: (450) 755-6091 | Toll free: (800) 263-6091
 www.lc-group.ca | info@lc-group.ca