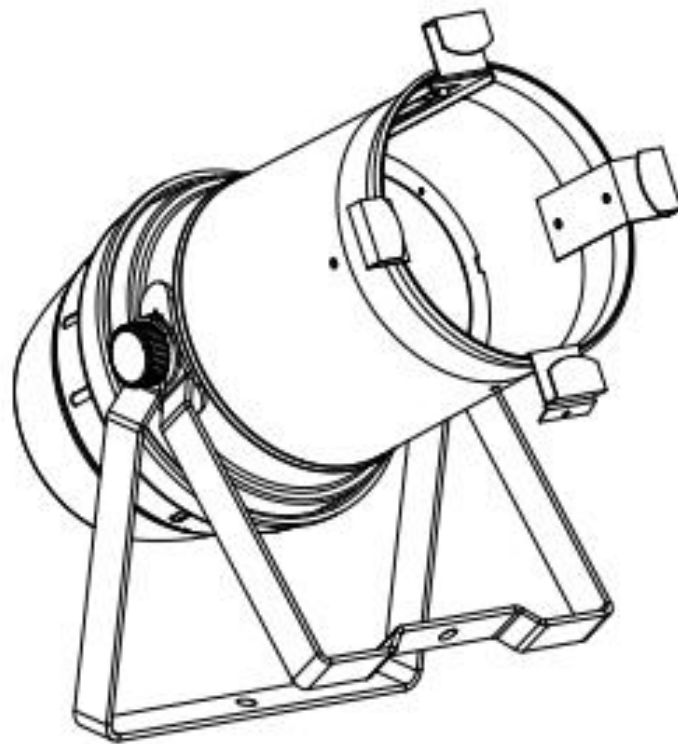




# **LED PAR 64**

# **ZOOM-RGBW**



**User Manual**

**LCG-PL64Z**

**Please read this manual carefully before use!**

Thank you for purchasing our 120W COB RGBW LED PAR64. Please read user guide for safety and operations before using. Keep this manual for future reference.

## 1. Safety Instructions



**WARNING**

Please read the instruction carefully which includes important information about the installation, usage and maintenance.

- Please keep this User Manual for future consultation. If you sell the fixture to another user, be sure that they also receive this instruction booklet.
- Please unpack and check carefully there is no transportation damage before using the fixture.
- Please disconnect main power before servicing and maintenance.
- The unit must be installed in a location with adequate ventilation, at least 50cm from adjacent surfaces. Be sure that no ventilation slots are blocked.
- The maximum ambient temperature is  $T_a:40^{\circ} \text{C}$ . DO NOT operate it where the temperature is higher than this.
- DO NOT connect the device to any dimmer pack.
- The housing must be replaced if they are visibly damaged.
- Unit surface temperature may reach up to  $85^{\circ} \text{C}$ . Don't touch the housing bare-hand during its operation. Turn off the power and allow about 15 minutes for the unit to cool down before replacing or serving.
- There are no user serviceable parts inside the fixture. Do not open the housing or attempt any repairs by yourself. In the unlikely event your fixture may require service, please contact your nearest dealer.
- In the event of serious operating problem, stop using the fixture immediately. Never try to repair the fixture by yourself. Repairs carried out by unskilled people can lead to damage or malfunction. Please contact the nearest authorized technical assistance center. Always use the same type spare parts.

## 2. Product specification

- 2/3/4/5/6/10 6 Channel Mode;
- Dimmer, Strobe;
- Ideal for Professional stages, Concerts, Clubs, Discotheques, Mobile Djs, etc.
- **Input Voltage:** AC100V~240V,50/60Hz
- **Total Power consumption:** 140W
- **Beam Angle:** Stepless manual zoom from  $10^{\circ}$  to  $40^{\circ}$
- **IP rating:** IP20
- **LED Sources:** 120W RGBW COB LED
- **Product Dimension:** 43.5x37.5x26cm

- **Weight(N.W):** 3.3Kgs

### 3. Checking Parts

Please check if the following parts are included:

1pc x 120W COB RGBW LED PAR64)

1pc x Power cable

1pc x User manual

1pc x Gel frame

2pcs x Bracket

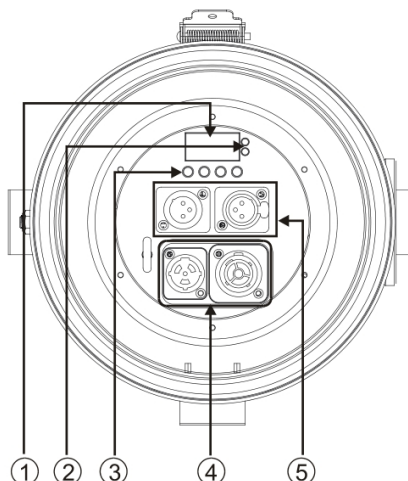
### 4. Installation and Connection

The unit should be mounted via its screw holes on the bracket. Always ensure that the unit is firmly fixed to avoid vibration and slipping while operating. Always ensure that the structure to which you are attaching the unit is secure and is able to support a weight of 10 times of the unit's weight. Also always use a safety cable that can hold 12 times of the weight of the unit when installing the fixture.

The equipment must be fixed by professionals. And it must be fixed at a place where is out of the touch of people and has no one pass by or under it. The unit should be mounted in the height of 0 to 30m.

### 5. How to set the unit

#### Rear Panel



- ① **Display** : Show the various menus and the selected functions;
- ② **LED indicator**:

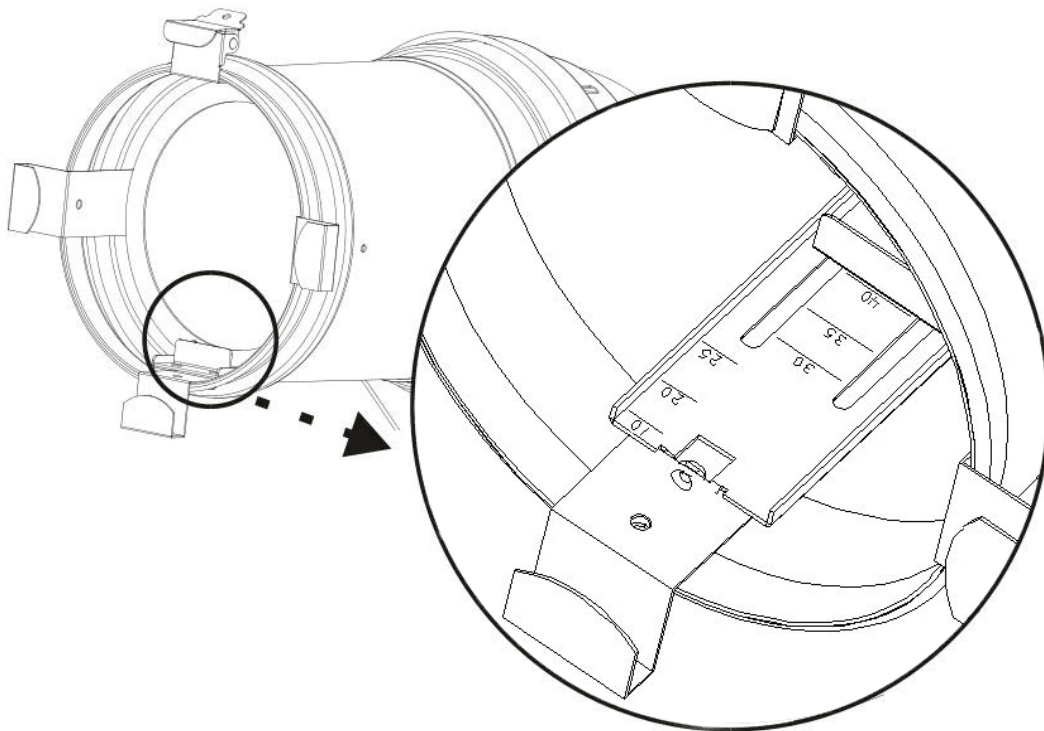
POWER	On	Power On
DMX	On	DMX input present

③ **Button:**

MENU	To select the programming functions
DOWN	To go forward in the selected functions
UP	To go backward in the selected functions
ENTER	To confirm the selected functions

- 4 **Main input/output:** PowerCon: link 8 units at 230/240V & 4 units at 110/120V
- 5 **DMX input/output:** For DMX512 link, use 3-pin XLR plug cable to input DMX signal, and to link the next unit.

The beam angle can be adjusted manually, stepless manual zoom from 10° to 40°



## 6. Main Function

To select any functions, press **MENU** button until the required one is shown on the display. Select the function by **ENTER** button. Use **DOWN** and **UP** button to change the mode. Once the required mode has been selected, press **ENTER** button to setup or it will return to the main functions without any change after idling 8 seconds automatically. Back to the functions without any change press **MENU** button.

The main function are shown below:

MENU (Nenu)	Addr(set address)	enter	+/-	set address (001-512)	Press ENTER to confirm (save and exit)
	Chnd (channel option)	enter	+/-	2Ch	
				3Ch	
				4CH	
				5CH	
				6CH	
				10Ch	
	Dind (Dimmer scene)	enter	+/-	stda (standard scene)	
				stge(stage scene)	
				tv (TV scene)	
				aral(building scene)	
				thal(theatre scene)	
	DinC( set dimmer curve)	enter	+/-	Linn(linner dimmer)	
				Inue(exponential dimmer curve)	
				Suar(logarithmic dimmer curve)	
				Scur(S curve)	
	Freq (dimmer frequency)	enter	+/-	900Hz	
				1000Hz	
				1100Hz	
				1200Hz	
				1300Hz	
				1400Hz	
				1500Hz	
				2500Hz	
				4000Hz	
				5000Hz	
				10K	
15K					
20K					
25K					
Shnd(shows)	enter	+/-	Sh_1		
			Sh_2		
			Sh_3		
SInd(set master/slave)	enter	+/-	SL 1(slave unit)		
			Mast (master unit)		
Lost(function when DMX	enter	+/-	Blac(keep black)		

	is lost)			Hold(keep last scene)
				Auto(run auto)
				Soun (sound mode)
	Sens(sound sensitivity)	enter	+/-	S000-S099
	Manu Color preset	enter	+/-	CCT (CCT marco, CCT1-CCT9)
				Clor
	Tenp (TEMPERATURE)	enter		00C-90C
	Led (set backlight)	enter		on
				off
	disp (display reverse)	enter		on
				off
	Fhrs (working hours)	enter		total working hour
	Ver (software version)	enter		software version
	defa (set default)	enter		default

## 7. DMX512 configuration

### Channel Mode:

#### 2 Channel Mode

Channel	Function	Value	Details
CH1	Color marco	000-005	No function
		006-017	Red
		018-029	Amber
		030-041	Warm yellow
		042-053	yellow
		054-065	green
		066-077	Turquoise
		078-089	Cyan
		090-101	Blue
		102-113	Lavender
		114-125	Violet
		126-137	Magenta

		138-149	Pink
		150-161	Warm white
		162-173	white
		174-185	Cold white
		186-220	Color jumping from slow to fast
		221-255	Color fading from slow to fast
CH2	CCT Macro	000-035	No function
		036-055	CCT: 2800K
		056-075	CCT: 3000K
		076-095	CCT:3200K
		096-115	CCT:3500K
		116-135	CCT:4000K
		136-155	CCT:4500K
		156-175	CCT:5000K
		176-195	CCT:5500K
		196-215	CCT:6000K
		216-235	CCT:6500K
		236-255	CCT:7200K

### 3 Channel Mode

Channel	Function	Value	Details
CH1	Red Dimmer	000-255	0-100% dimming
CH2	Green Dimmer	000-255	0-100% dimming
CH3	Blue Dimmer	000-255	0-100% dimming

### 4 Channel Mode

Channel	Function	Value	Details
CH1	Red Dimmer	000-255	0-100% dimming
CH2	Green Dimmer	000-255	0-100% dimming
CH3	Blue Dimmer	000-255	0-100% dimming
CH4	White Dimmer	000-255	0-100% dimming

## 5 Channel Mode

Channel	Function	Value	Details
CH1	Master dimmer	000-255	0-100% dimming
CH2	Red Dimmer	000-255	0-100% dimming
CH3	Green Dimmer	000-255	0-100% dimming
CH4	Blue Dimmer	000-255	0-100% dimming
CH5	White Dimmer	000-255	0-100% dimming

## 6 Channel Mode

Channel	Function	Value	Function
CH1	master dimming	000-255	Master Dimming 0-100%
CH2	Strobe	000-015	No Function (open)
		016-095	Strobe (1HZ-25HZ Slow-Fast)
		096-175	Strobe (1HZ Slow-Fast)
		176-255	Random Strobe
CH3	Red dimming	000-255	0-100% dimming
CH4	Green dimming	000-255	0-100% dimming
CH5	Blue dimming	000-255	0-100% dimming
CH6	White dimming	000-255	0-100% dimming

## 10 Channel Mode

Channel	Function	Value	Function
CH1	master dimming	000-255	Master Dimming 0-100%
CH2	Strobe	000-015	No Function (open)
		016-095	Strobe (1HZ-25HZ Slow-Fast)
		096-175	Strobe (1HZ Slow-Fast)
		176-255	Random Strobe
CH3	Red dimming	000-255	0-100% dimming
CH4	Green dimming	000-255	0-100% dimming
CH5	Blue dimming	000-255	0-100% dimming
CH6	White dimming	000-255	0-100% dimming
CH7	Color Macro	000-005	No Function
		006-017	Red
		018-029	Amber
		030-041	Warm Yellow
		042-053	Yellow



		054-065	Green
		066-077	Turquoise
		078-089	Cyan
		090-101	Blue
		102-113	Lavender
		114-125	Mauve
		126-137	Magenta
		138-149	Pink
		150-161	Warm White
		162-173	White
		174-185	Cold White
		186-220	Color Jumping Slow->Fast
		221-255	Color Fading Slow->Fast
CH8	CCT Macro	000-035	No Function
		036-055	CCT:2800K
		056-075	CCT:3000K
		076-095	CCT:3200K
		096-115	CCT:3500K
		116-135	CCT:4000K
		136-155	CCT:4500K
		156-175	CCT:5000K
		176-195	CCT:5500K
		196-215	CCT:6000K
		216-235	CCT:6500K
236-255	CCT:7200K		
CH9	Auto Program	000-015	No Function
		016-095	Show1: LED color jumping change
		096-175	Show2: LED color strobe
		176-255	Show3: LED color fading
CH10	Auto Speed/sound	000-250	Sound Off,AutoSpeed Slow->Fast
		016-095	Sound ON

## 8. Troubleshooting

Following are a few common problems that may occur during operation. Here are some suggestions for easy troubleshooting:

### A. The fixture does not work, no light

1. Check the connection of power and main fuse.
2. Measure the mains voltage on the main connector.

## **B. Not responding to DMX controller**

1. DMX LED should be on. If not, check DMX connectors, cables to see if link properly.
2. If the DMX LED is on and no response to the channel, check the address settings and DMX polarity.
3. If you have intermittent DMX signal problems, check the pins on connectors or on PCB of the fixture or the previous one.
4. Try to use another DMX controller.
5. Check if the DMX cables run near or run alongside to high voltage cables that may cause damage or interference to DMX interface circuit.

## **9. Fixture Cleaning**

The cleaning of internal must be carried out periodically to optimize light output. Cleaning frequency depends on the environment in which the fixture operates: damp, smoky or particularly dirty surrounding can cause greater accumulation of dirt on the fixture' s optics.

- Clean with soft cloth using normal glass cleaning fluid.
- Always dry the parts carefully.
- Clean the external optics at least every 15 days. Clean the internal optics at least every 30/60 days.