



Wireless DMX Transceiver

LCG-WF-WIDMX Series User Manual



Version 2.0

Thank you for choosing WIDMX Series Wireless DMX Transceiver. WIDMX LCG Series is unique in its use of advance radio technologies that are also used in military communication and mobile phones. Its user-friendly operation that simplifies all the complex communication protocols makes it possible for the users to plug and play.

WIDMX LCG Series uses 2.4GHz global open ISM band with license-free use. The Gaussian Frequency Shift Keying (GFSK) modulation, Frequency Hopping Spread Spectrum (FHSS) with 79 channels interference-free operation. WIDMX LCG Series is continually considered as a reliable wireless DMX product for lighting installations over large distances and in any environment.

There are no upgrading troubles. Because ours is now compatible with the world's leading wireless communication protocols like the Sweden's protocol or the GZ protocols.

Content

SAFETY INFORMATION	2
STATEMENT.....	3
1 INTRODUCTION.....	4
1.1 FEATURES	4
1.2 SPECIFICATIONS	5
1.3 PACKING LIS	5
1.4 INTERFACE.....	6
2 OPERATING GUIDE	7
2.1 OPERATING MODE.....	7
2.2 DESCRIPTION OF STATUS INDICATOR	9
2.3 SELECT WIRELESS GROUP	11
2.4 RESTORE FACTORY SETTINGS.....	13
2.5 CONNECTION AND DELETE CONNECTION	13
3 APPLICATIONS	15
3.1 ONE TRANSMITTER TO ONE RECEIVER	15
3.2 ONE TRANSMITTER TO MANY RECEIVERS.....	16
3.3 PARALLEL TRANSMISSION	17
3.4 REPEATER OR AMPLIFIER.....	17
4 MAINTENANCE.....	18

Safety Information

- Please keep the product far away from the heat. It should be away from the heater, radiator or any other heat source. Heat will damage and break the product, even worse it may start a fire.
- Please shutdown the product where there are slogans like “Explosion Zone”, “May Burst Area” and “Turn off the wireless transceiver” or somewhere such as Hospital, Gas Station and Airport.
- It may bring trouble for some medical electronic equipment like hearing-aid and cardiac pacemaker and so on. Please follow the warning notes and safety instructions.
- Please use the attached power adapter. It might damage the device if using unapproved power adapter.

Statement

- We will keep improving and developing our products. We reserve the right to modify and to improve the described item in this document without notice in advance.
- Unless otherwise provided by applicable laws, we do not make any type or implied warranties to the accuracy, reliability and content of it, including but not limited to the warranties of merchantability and the purposes of specific application.
- In any case, we do not take responsibility on the loss of data, property and revenue, or any special, incidental, consequential or indirect damages, whether the loss caused by any reason.
- The availability of particular products may vary by region. Please contact with your local dealer.

1 Introduction

1.1 Features

WIDMX LCG Series is unique in its use of advance radio technologies that are also used in military communication and mobile phones. Its user-friendly operation that simplifies all the complex communication protocols makes it possible for the users to plug and play.

- 2.4GHz ISM Band, license-free worldwide
- FHSS with 79 Channels, interference-free operation
- 32-bit ARM processor, DMA transfer without delay
- Standard DMX512 3-pin XLR, 5-pin XLR, transceiver
- Built-in Wireless Solution compatibility mode
- Group Mode, easy plug-and-play operation; Pairing Mode, supports more transmitter universes

1.2 Specifications

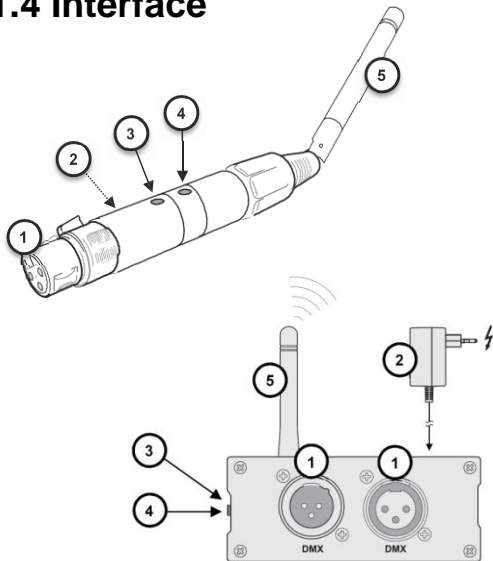
- **Band:** 2.402GHz – 2.480GHz, ISM, 79 channels
- **Spread spectrum:** FHSS, 1100 hops / sec
- **Modulation:** GFSK
- **Maximum Transmit Power:** 23dBm
- **Receiver Sensitivity:** -94dBm
- **Power:** DC 5V \pm 10%
- **Size:** 212 x 18 x 18 mm

1.3 Packing Lis

Delivery includes:

- | | |
|-----------------------------|------|
| 1) Wireless DMX Transceiver | 1pcs |
| 2) Power Adapter | 1pcs |
| 3) User Manual | 1pcs |

1.4 Interface



1, DMX512 3-pin or 5-pin male or female XLR

2, External power supply input

3, Status indicator

4, Button

5, Antenna

2 Operating Guide

2.1 Operating mode

Wireless transceiver has two operating modes: **set-up mode** and **use mode**

1, **Set-up mode**: Press and hold the button before you power up. When you see status indicator turns into the white light, release the button to enter the Set-up mode. In this mode you can select different transmission protocols. Each time you press the button, you would see the status indicator changes in follow order: **red**, **green**, **blue** and **yellow**. In the Set-up mode, different colors mean different communication protocols which are listed on the following table. Choose one of the protocols and press and hold the button (> 1S), when you see the white light, release it to enter the use mode.

Note: The wireless transceiver will remember the chosen protocol even after you disconnecting the power supply. There is no need for repeated setting.

Color	Protocol
Red	WIDMX
Green	W-DMX Receive Copy Wireless Solution
Blue	W-DMX G3 Transmit Copy Wireless Solution
Yellow	GZ Protocol Traditional 2.4G
Purple	W-DMX G4 Transmit

2、 Use mode:

- a) Powered up and enter the use mode;
- b) If it is in set up mode, press and hold the button (> 1S) until you see the white light, then release it to enter the use mode.

2.2 Description of Status Indicator

Protocol	Action	Status Description
WIDMX or GZ Protocol	Red, Green, Blue, Yellow, Cyan, Purple (, White)	6 / 7 Different Wireless Groups
	Red Flashing	Transmitting DMX
	Green Flashing	Receiving DMX Signal
W-DMX Receive	White	Connection is not Established
	Red	Deleting Connection

	Red(Fast-Flash)	Connection is Lost
	Green(Fast-Flash)	Connecting to Transmitter
	Green(Slow-Flash)	Connected, Without DMX Signal
	Green	Connected, Receiving DMX Signal
W-DMX Transmit	Red	Deleting all Receivers' Connection
	Blue(Fast-Flash)	Connecting with the Receiver(s)
	Blue(Slow-Flash)	No DMX Signal Input
	Blue	Transmitting DMX

Note:

1. **Flashing:** > 20ms ON + <180ms OFF (Depending on the refresh rate of the DMX signal)
2. **Fast-Flash:** 100ms ON + 100ms OFF
3. **Slow-Flash:** 900ms ON + 100ms OFF

2.3 Select Wireless Group

Each time you press the button, the status indicator will change different colors. In this case different colors mean different groups. Only when the indicators of the transmitter and receiver show the same color they can communicate with each other.

When the transmitter connects to the controller, the status indicator of the transmitter would flash red. If the receiver gets the DMX signal, the indicator would flash green.

NOTE: The first time when you press the button, it will not change the color but show you the group that you are in. If you press it again it will switch to other group.

WIDMX mode supports 6 groups

(FHSS, 1100 hops / sec)

- 1: RED ----- Red
- 2: GREEN ----- Green
- 3: BLUE ----- Blue
- 4: RED + GREEN ----- Yellow
- 5: GREEN + BLUE ----- Cyan
- 6: RED + BLUE ----- Purple

GZ protocol supports 7 groups

(Frequency Agile)

- 1: RED ----- Red
- 2: GREEN ----- Green
- 3: RED + GREEN ----- Yellow
- 4: BLUE ----- Blue
- 5: RED + BLUE ----- Purple
- 6: GREEN + BLUE ----- Cyan
- 7: RED+GREEN+BLUE ----- White

2.4 Restore factory settings

By pressing and holding the button (> 1S), When see the **BLUE** flashing, Then release the button, the devices would flash "**RED-GREEN-BLUE**" quickly, and then turns red. It indicates that the device has restored to factory settings successfully. The default group is red.

2.5 Connection and Delete

Connection

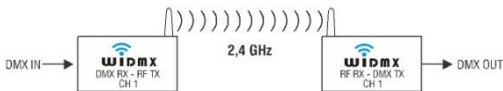
In the W-DMX G3 or G4 Transmit Mode, by pressing the button, the transmitter can be connected to all powered but not connected receivers within the coverage area; Press and hold (> 3S) the transmitter's button until the indicator turns red. The device will disconnect with all receivers within the coverage range.

In the W-DMX Receive Mode, Press and hold (> 3S) the receiver's button until the indicator turns white. The device would disconnect with the transmitter.

Note: Receiver could only be connected to the new transmitter after the old connection is deleted.

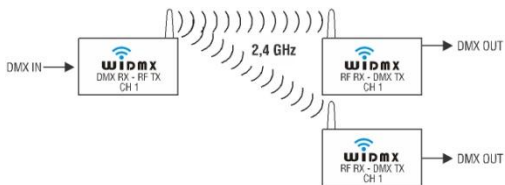
3 Applications

3.1 One transmitter to one receiver



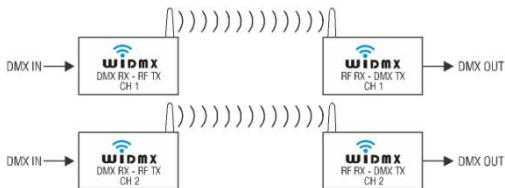
Controller inputs DMX signal onto a wireless transmitter, and the latter would send DMX signal via Radio to the receiver with the same group or to the receiver connected.

3.2 One transmitter to many receivers



Controller inputs DMX signal onto a wireless transmitter, and the latter would send DMX signal via Radio to the receivers with the same group or the other receiver connected.

3.3 Parallel Transmission



Many sets of radio transmitters can be operated simultaneously, without mutual interference.

3.4 Repeater or Amplifier



If directly connect a receiver to a transmitter (both the receiver and transmitter work in different groups or in different sets), it would become a repeater or amplifier. In this way, the working distance increases.

4 Maintenance

- Please storage and use the device within required temperature. Device may damage if the temperature is too high or too low.
- The device is not water-proof. Please keep the item and its accessories dry. Please do not use it in bathroom or other place with high humidity. Do not let water or other liquid seep into the device, or it may be damaged.
- Do not place and use the device in dusty place.
- Please use a soft, slightly moist cloth to clean the outer case. Never use alcohol, acetone or other similar solvent to clean it.
- Please do not attempt to take apart the device and repair it by yourself. If the device is detected, please contact with the dealer as soon as possible

Federal Communications Commission (FCC) Statement

This device complies with part 15 of the FCC Rules. Operation is subject to the following two conditions: (1) This device may not cause harmful interference, and (2) this device must accept any interference received, including interference that may cause undesired operation.

Warning: Changes or modifications made to this device not expressly approved by **Shenzhen 3Geyes Technology Co., Ltd.** may void the FCC authorization to operate this device.

Note: The manufacturer is not responsible for any radio or tv interference caused by unauthorized modifications to this equipment. Such modifications could void the user's authority to operate the equipment.