



# ULTRA WASH ZOOM

LCG-MHW730Z / WASH 7\*30W LED

## Technical data

### FEATURES

LED Type: 7\*30W 4in1 RGBW  
 Beam Angle: 6° to 60° linear zoom  
 Color temperature: 2700K to 8000K  
 Pixel each led controllable individually  
 Preset variable / random strobe & dimming pulse effect  
 25T/sec high speed LED shutter/strobe effect with variable speed

### Movement

Smooth & precise resolution for PAN/TILT  
 360° /540° /630° PAN & 90°/180°/270° TILT  
 Scan position memory, auto reposition after unexpected movement

### Control

Control signal: DMX512, Master/Slave, Sound activated, Auto operation  
 Control Channel: 16CH / 22CH / 50CH USITT DMX-512  
 DMX recorder and edit function integrated  
 Display: Illuminated graphic LCD

### Connectors

Signal connection: XLR 3-Pin In/Out  
 Power Input: PowerCON IN/OUT

### Operating Conditions

Input voltage: 90-260V AC / 50-60Hz  
 Power: 240W  
 Maximum ambient temperature: -30°C / 86°F, 50°C / 122°F  
 IP20 protection rating

### Mounting Options

Standing: Rubber feet  
 Hanging: 1x 1/4 turn fastening Omega clamp  
 Safety wire attachment: foldout eyelets

### Shipping

Single fixture

### Housing Colors

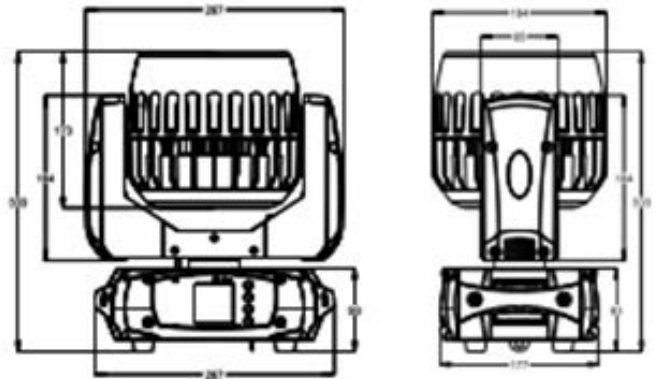
ABS die-cast plastic cover with Aluminium structure  
 Standard colors: black

### Dimensions

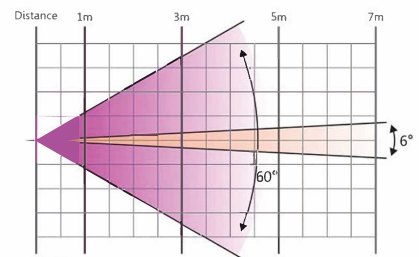
Length: 287 mm / 11.3 in  
 Width: 177 mm / 7.0 in  
 Height (head horizontal): 333 mm / 13.1 in  
 Weight N.W: 6.0kgs / N.W: 13 lbs



## Dimension



## Photometrics



6° (LUX)				
Distance	1m	3m	5m	7m
R	20460	4733	1807	1014
G	31592	5909	2439	1359
B	56287	6499	4240	2260
W	49115	10231	3966	2187
RGBW	146795	30305	8880	6086
60° (LUX)				
R	1434	205	105	47
G	2641	338	138	64
B	4259	619	247	107
W	4408	624	228	110
RGBW	12320	1943	739	272



L.C GROUP | 422, Chemin des Prairies, Joliette, Québec, Canada, J6E 4J8  
 Tel: (450) 755-6091 | Toll free: (800) 263-6091  
 www.lc-group.ca | info@lc-group.ca