



**S-600 Yeti
Snow Machine
User Manual
-English
-中文**



© 2023 Antari Lighting and Effects Ltd.

1. Introduction	1
2. Safety Information.....	1
3. Package Items.....	4
4. Product Overview.....	5
5. Technical Label Information	6
6. Snow Fluid	6
7. Setting Up.....	6
8. Operation	7
9. Machine Status Message	11
10. DMX Connection	12
11. RDM.....	12
12. Wireless Control Operation	13
13. Wireless DMX Operation (Optional)	14
14. SC-4 Wired Remote Operation (Optional).....	16
15. S-600-BH / 5-liter bottle holder (Optional).....	17
16. S-600-TKC / 20 Liter Tank Cap assembly w/5M tube (Optional).....	18
17. Service and Maintenance.....	19
18. Technical Specifications	19
19. Machine Dimension	20
20. Exploded diagram.....	21
1. 前言	23
2. 安全注意事項	23
3. 包裝內容	25
4. 機器外觀概述	27
5. 技術標籤資訊	28
6. 液體使用	28
7. 機器安裝操作步驟	28
8. 操作說明	29
9. 機器狀態說明	33
10. DMX 說明.....	34
11. RDM 說明	34
12. 無線模組配對及操作說明	36
13. 無線 DMX 安裝說明 (選配).....	37
14. SC-4 有線控制器操作說明 (選配).....	38
15. S-600 BH / 5 公升油桶座安裝說明(選配).....	39
16. S-600-TKC / 20 公升油桶蓋組，含 5 米長油管(選配).....	40
17. 機器維護保養	41
18. 技術規格	41
19. 機器尺寸圖	42
20. 機台爆炸圖	43



User Manual

1. Introduction

Please read this user manual carefully before operating the machine.

Please put this manual in a place where you can refer to it at any time.

If you encountered any problems, please contact your local Antari dealer for advice and assistance.

2. Safety Information

CAUTION!



Please read the following safety information carefully before operating the machine. This information includes important safeguards about installation, usage and maintenance. Pay attention to all warning labels and instructions in this manual and printed on the machine.

DANGER!

Electrical shock



Always connect the machine to correct voltage. It will lead to electrical shock or burned and may cause serious consequences if connecting to incorrect or improper voltage.

WARNING!

Risk of electrocution



Always connect the machine to a protected circuit and ensure it is properly grounded to avoid risk of electrocution.

※ **Damage caused by the disregard of this user manual are not subject to warranty. Antari and its dealer will not accept liability for any resulting defects or problems.**

2.1 Installation

- Keep this device dry. This machine is not waterproof. Do not expose the machine to water splashes.
- Place the machine on a flat surface. Installed in a well ventilated area. Provide at least 50 cm space around the machine.
- Make sure there are no flammable materials close to the machine while operating. Never add flammable liquid of any kind to the machine.
- Before connecting the machine to power, always check the voltage indicate on the machine matches to your local AC voltage. Do not use the machine if AC power voltage does not match.
- If the supply cord is damaged, it must be replaced by a special cord or assembly available from your local Antari dealer for replacement.
- No user serviceable and modifiable parts inside. Never try to repair this product, an unauthorized technician may lead the machine to damage or malfunction.
- This product is for indoor use only! Do not expose to rain or moisture. If fluid is spilled, disconnect AC power and clean with a damp cloth. If fluid is spilled onto electronic parts, immediately unplug the machine and contact your local Antari dealer for advice.
- Pay attention to all warning labels and instructions on the machine before operation.

2.2 Operation

- Do not operate the machine with bundled power cables. It could be a fire hazard.
- Do not operate the machine in an area with unstable voltage. This may burn out internal components and cause machine fail to work.
- Do not use the machine against human, animal or flame. Make sure there are no flammable materials close to the machine.
- For adult use only. The machine is not to be used by persons (including children) with reduced physical, sensory or mental capabilities, or lack of experience and knowledge. Never leave the machine running unattended.
- Children being supervised not to play with the machine.
- If you hear a strange sound or experience machine fails to work, stop use it immediately. Turn off and unplug the machine, and contact your local Antari dealer for service.
- Turn off and unplug the machine while it's not in use.
- Make sure the machine is turned off before unplug it.
- Do not use the machine upside down or tilt it. It may damage the machine and make it malfunction.
- Before transporting the machine, make sure the fluid tank is completely drained.
- Snow fluid may present health risks if swallowed. Do not drink snow fluid. Store it securely. In case of eye contact or if fluid is swallowed immediately look for medical advice.
- Be sure to unplug the machine before filling snow fluid.

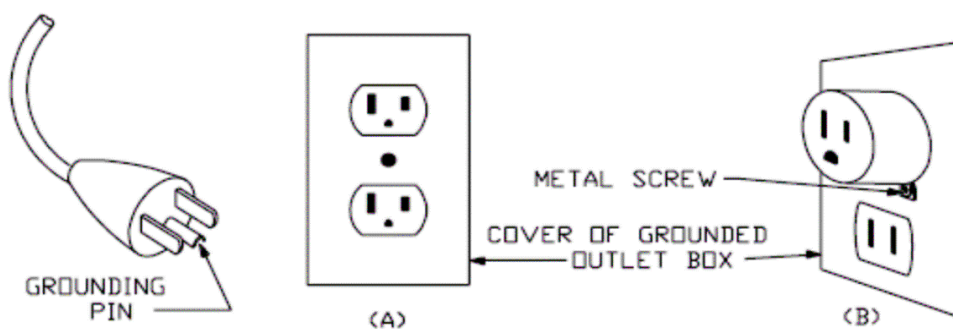
- If the machine fails to work, unplug the machine and stop operation immediately. Contact your local Antari dealer for help.

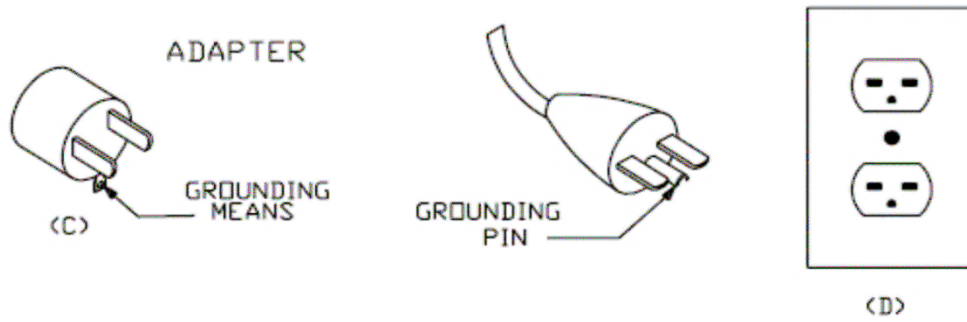
2.3 Grounding Instruction

This appliance must be grounded in the event of malfunction or breakdown, grounding provides a path of least resistance for electric current to reduce the risk of electric shock. This appliance is equipped with a cord having an equipment-grounding conductor and a grounding plug. The plug must be plugged into an appropriate outlet that is properly installed and grounded in accordance with all local codes and ordinances.

DANGER – Improper connection of the equipment-grounding conductor can result in a risk of electric shock. The conductor with insulation having an outer surface that is green with or without yellow stripes is the equipment-grounding conductor. If repair or replacement of the cord or plug is necessary, do not connect the equipment-grounding conductor to a live terminal. Check with a qualified electrician or servicemen if the grounding instructions are not completely understood, or if in doubt as to whether the appliance is properly grounded. Do not modify the plug provided with the appliance. If it will not fit the outlet, have a proper outlet installed by a qualified electrician.

This appliance is for use on a nominal 120V circuit and has a grounding plug that looks like the plug illustrated in sketch A in Figure 73.1. A temporary adaptor, which looks like the adaptor illustrated in sketches B and C, may be used to connect this plug to a 2 pole receptacle as shown in sketch B if a properly grounded outlet is not available. The temporary adaptor should be used only until a properly grounded outlet can be installed by a qualified electrician. The green colored rigid ear, lug, and the like, extending from the adaptor must be connected to a permanent ground such as a properly grounded outlet box cover. Whenever the adaptor is used, it must be held in place by the metal screw.





3. Package Items

Immediately upon receiving the machine, carefully unpack the carton, check the content to ensure that all parts are present and have been received in good condition. If any parts appear damaged or mishandled from shipping, notify the shipper immediately and retain the packing material for inspection.

3.1 Standard Package

- 1 x S-600 Snow Machine
- 1 x PowerCon True 1 Power Cord
- 1 x User Manual or scan QR code on technical label
- 1 x 5M Fluid Tank Feed Tube with Filter
- 1 x W-2 Wireless Transmitter (Receiver has been installed onto the machine)
- 1 x Hanging Bracket

3.2 Optional Accessories

Item Code	Description
TIMO-WTR-90	Two in One Receiver & Wireless DMX-PCB
SC-4	Cable Remote
S-600-BH	5-Liter Bottle Holder
S-600-TKC	20 Liter Tank Cap assembly w/5M tube

4. Product Overview



01. Control Panel	06. Wireless Receiver Antenna
02. Fluid Tube Connection	07. SC-4 Remote Connector
03. Main Power Switch & Resettable Breaker	08. Output Nozzle
04. True 1 PowerCon Connector	09. Hanging Bracket
05. XLR 5-Pin DMX Connector	10. Technical Label

5. Technical Label Information

Read the information on the technical label before operation.

Technical label is attached on one side of control panel.



1. Model Name
2. Input Voltage
3. Frequency
4. Rated Power

5. Breaker
6. QR CODE for User Manual
7. Serial No.

6. Snow Fluid



CAUTION!

Always disconnect from the mains before filling the machine. Never add flammable liquids. If fluid gets inside the machine, please contact your local Antari dealer for service.

Only use Antari SL-N, SL-AN, SL-H, SL-C, SL-UV fluid for the S-600 Snow Machine. The machine is tested and calibrated with this liquid to get the best output performance. Warranty will be void if any other type of liquid is used, improper use of liquid may lead to machine failure and malfunction.

7. Setting Up



CAUTION!

Risk of injury caused by falling objects.

Make sure installation location, fastening connecting and rigging hardware can hold at least 10 times the weight of the machine.

Make sure that the machine is installed securely and cannot fall down.

It will cause severe injuries if the machine falling down.

- Step 1.** Place the machine on a flat surface and in a suitably large area with at least 50 cm open space around the machine.
- Step 2.** Connect the 5M fluid tube to S-600 and put the filter into the tank. Please do not bend the fluid tube and fill the fluid tank with Antari snow fluid.



5M Fluid Tube with Filter



- Step 3.** Connect the machine to a suitably rated power supply. To determine the power requirement for the machine, refer to the label on the back of the machine.
- Step 4.** Turn on the machine, press the [VOLUME]/[DOWN] button on the control panel to start making snow. To stop making snow, press the [STOP] / [■] button
- Step 5.** To turn off the machine, press the [STOP] / [■] button and put the power switch to the OFF position.

※ Notice :

The motor of S-600 continues running for about 5 seconds after [STOP] / [■] button is pressed. Please turn off the main power after motor stops running.

8. Operation

S-600 Yeti snow machine can be operated in the following modes. The machine can accept 1 kind of signal at 1 time. When using different control modes at the same time, the machine will work according to built-in control priority.

- Manual: operation via control panel
- Timer: operation via control panel
- DMX 512
- SC-4 Wired Remote (Optional)
- Wireless DMX (Optional)
- W-2 Wireless Transmitter

Priority: Wireless DMX (Optional) > DMX512 > W-2 Wireless Transmitter > SC-4 Wired Remote (Optional) > Manual

Please see the following pages for instructions on your choice of operation.

8.1 Control Panel Operation

The machine can be operated in manual or timer modes with the onboard digital control interface



Button	Function
[MENU]	Scroll through setting menu
[UP]/[TIMER]	Increase setting value/Activate Timer function
[DOWN]/[VOLUME]	Decrease setting value/Activate Volume function
[STOP]	Deactivate Timer/Volume function Confirm/Leave Setting Menu

8.2 Control Menu

Menu	Description
Interval XXX min	Set interval time at timer mode from 1 to 240 minutes
Duration XXX Sec	Set duration time at timer mode from 5 to 999 seconds
Volume Out XXX%	Set snow output volume from 0 to 100%

Blower XXX%	Set blower output from 0 to 100% to adjust snowflake size. The smaller output, the bigger snowflake.								
Fan Speed XXX%	Set fan speed from 0 to 100%								
DMX512 Add: XXX	DMX-512 Address: 1-512								
Wireless On/Off	Wireless Remote: On / Off Use ▲UP and ▼DOWN buttons to switch, and press ■STOP/ENTER button to memorize settings								
Run Last Set On/Off	Run the last setting : On / Off								
LinkMode Wired/Wireless	Link Mode : Wired / Wireless								
W-DMX Unlink?	Wireless DMX Linking : Linking cancelled								
W-DMX ---	Wireless DMX status <table border="1"> <tr> <td>W-DMX ok</td> <td>W-DMX Transmitter assigned, DMX signal received.</td> </tr> <tr> <td>No DMX</td> <td>W-DMX transmitter assigned, No DMX signal</td> </tr> <tr> <td>TX Lost</td> <td>W-DMX link lost or linking to transmitter</td> </tr> <tr> <td>Unassign</td> <td>W-DMX Transmitter not assigned</td> </tr> </table>	W-DMX ok	W-DMX Transmitter assigned, DMX signal received.	No DMX	W-DMX transmitter assigned, No DMX signal	TX Lost	W-DMX link lost or linking to transmitter	Unassign	W-DMX Transmitter not assigned
W-DMX ok	W-DMX Transmitter assigned, DMX signal received.								
No DMX	W-DMX transmitter assigned, No DMX signal								
TX Lost	W-DMX link lost or linking to transmitter								
Unassign	W-DMX Transmitter not assigned								
UID 1ED8 06020001	Product UID Code								
Run Time 0000000H	Accumulated Snowing time : 0 - 9999999 hour								
W. Remote Pair/Upair	Wireless Transmitter : Pair / Unpaired Please refer to 12.3 Registering a Transmitter								
KeySound Set On/Off	Keypad Sound : On / Off Turn On or Off the beep sound of pushing buttons Use ▲UP and ▼DOWN buttons to switch, and press ■STOP/ENTER button to memorize settings								
Backlite AlwaysOn/AutoOff	Screen Backlite: Always On /Auto Off Use ▲UP and ▼DOWN buttons to switch, and press ■STOP/ENTER button to memorize settings								
Default Proceed?	Reset to factory settings Press ■STOP button to reset S-600 to Factory settings								

8.3 Control Menu (for software version v1.0)

When you scroll through setting menu, please press ■[STOP] to enter level 2 to choose required item for setting.

Menu (Level 1)	Item (Level 2)	Description	
DMX	DMX512 Add: XXX	DMX-512 Address: 1-510 (S-600 occupies 3 control channels.)	
	LinkMode Wired	Link Mode : Wired / Wireless	
	W-DMX Unlink?	W-DMX Linking : Linking cancelled	
Manual	Interval XXX min	Set interval time at timer mode from 5 to 240 minutes	
	Duration XXX min	Set duration time at timer mode from 5 to 240 minutes	
	Volume Out XXX%	Set snow output volume at volume mode from 0 to 100%	
	Blower XXX%	Set blower output from 0 to 100% to adjust snowflake size. The smaller output, the bigger snowflake.	
	Fan Speed XXX%	Set fan speed from 0 to 100%	
Info	W-DMX ---	W-DMX ok	W-DMX Transmitter assigned, DMX signal received.
		No DMX	W-DMX transmitter assigned, No DMX signal
		TX Lost	W-DMX link lost or linking to transmitter
		Unassign	W-DMX Transmitter not assigned
	UID 1ED8 06020001	Product UID Code	
	Run Time 0000000H	Accumulated Snowing time : 0 - 9999999 hour	
Setting	W.Remote Pair	Wireless Transmitter : Pair / Unpair Please refer to 12.3 Registering a Transmitter	
	Run Last Set Off	Run the last setting : On / Off Press ■STOP button to reset S-600 to Factory settings	
	KeySound Set On	Keypad Sound : On / Off Turn On or Off the beep sound of pushing buttons	

		Use ▲UP and ▼DOWN buttons to switch, and press ■STOP/ENTER button to memorize settings
	Backlite AlwaysOn	Screen Backlite: On /Off / AlwaysOn Use ▲UP and ▼DOWN buttons to switch, and press ■STOP/ENTER button to memorize settings
	Default Proceed?	Reset to factory settings Use ▲UP and ▼DOWN buttons to switch, and press Press ■STOP button to reset S-600 to Factory settings

9. Machine Status Message

Screen	Description
S-600 v1.0	Software Version
AC Input AC-XXX	Input Voltage
Ready To Snow	Machine is ready to make snow.
Remote Out XXX%	SC-4 wired remote operating (only shows when SC-4 is connected)
Volume Out XXX%	Running at volume mode
Interval XXX min	Running at timer mode, Interval time
Duration XXX min	Running at timer mode, Duration time
DMX-512 Add: XXX	Current DMX 512 channel
Priming 100%	Activate pump at maximum output
Wrong Voltage!	Wrong input voltage
AC Power Failure	AC Power Failure

10. DMX Connection

10.1 DMX Connector Pin Assignment

The machine provides a 5-pin XLR connector for DMX connection. The diagram below indicates pin assignment information.

Pin	Function
1	Ground
2	Data-
3	Data+
4	N/A
5	N/A

10.2 DMX Channel Function

Channel	Mode	DMX Value	Function
Channel 1	Snow Output Volume	0-5	Snow off
		6-255	Snow Output 0-100%
Channel 2	Blower Output	0-5	Blower off
		6-255	Blower Output 0-100%
Channel 3	Fan Output	0-5	Fan Off
		6-255	Fan Output 0-100%

11. RDM

The S-600 snow machine Yeti is RDM enabled, allowing control system to configure, monitor and manage. See below table for supported RDM parameters.

GET Allowed	SET Allowed	Category	RDM Parameter ID's (Slot 21-22)	Value	Required
		Network Management	DISC_UNIQUE_BRANCH	0x0001	O
			DISC_MUTE	0x0002	O
			DISC_UN_MUTE	0x0003	O
O		RDM Information	QUEUED_MESSAGE	0x0020	

O			SUPPORTED_PARAMETERS	0x0050	O
O			PARAMETER_DESCRIPTION	0x0051	O
O		Product Information	DEVICE_INFO	0x0060	O
O			PRODUCT_DETAIL_ID_LIST	0x0070	
O			DEVICE_MODEL_DESCRIPTION	0x0080	
O			MANUFACTURER_LABEL	0x0081	
O	O		DEVICE_LABEL	0x0082	
O			SOFTWARE_VERSION_LABEL	0x00C0	O
O	O	DMX512 Setup	DMX_PERSONALITY	0x00E0	
O			DMX_PERSONALITY_DESCRIPTION	0x00E1	
O	O		DMX_START_ADDRESS	0x00F0	O
O			SLOT_INFO	(0x0120)	
O			SLOT_DESCRIPTION	(0x0121)	
O			DEFAULT_SLOT_VALUE	(0x0122)	
O		Sensors	SENSOR_DEFINITION	0x0200	
O	O		SENSOR_VALUE	0x0201	
O			DEVICE_HOURS	0x0400	O
O	O	Control	IDENTIFY_DEVICE	0x1000	O

12. Wireless Control Operation

S-600 is equipped with W-2 wireless control function as a standard. Receiver attached onto S-600 before shipped from factory.

12.1 W-2 Wireless Transmitter

- Battery : 27A 12V
- Effective distance : In a free open space, the effective distance is about 50 meters, actual usage depends on obstacle level; the effective distance varies.
- W-2 Wireless remote control system equipped with 4 buttons to activate, deactivate, adjust snow, motor and fan output level.



W-2 Wireless Transmitter

Button	Function
[A]	Press Once : activate output Keep pressing for 2 seconds : turn off S-600
[B]	Adjust snow output level Range: 0/20/40/60/80/100%
[C]	Adjust motor output level Range: 0/20/40/60/80/100%
[D]	Adjust fan output level Range: 0/20/40/60/80/100%



*W-2 Wireless Receiver
(attached onto machine as a standard)*

12.2 W-2 Wireless Receiver

S-600 is equipped with W-2 wireless control function as a standard. Transmitter is included in package. Receiver attached onto S-600 before shipped from factory.

12.3 Registering a Transmitter

- Transmitter can be paired or deleted from the receiver.
- Each receiver can pair up to 5 transmitters.
- Follow below steps to pair or delete transmitter.

Step 1. Press [MENU] button and select [Setting]. Scroll the menu until [W.Remote] shows on display.

UP: Pair
DOWN:Unpair

Step 2A. Press [UP / ▲] button to select [Pair] to pair a new transmitter. Press [STOP / ■] button, and press any button on the W-2 transmitter to finish pairing.

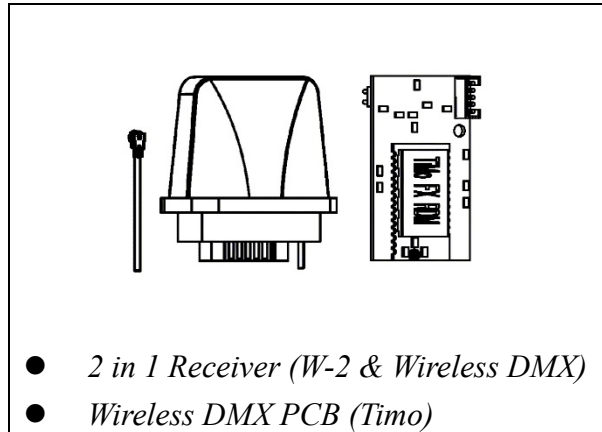
Step 2B. Press [DOWN / ▼] button to select [Unpair] to delete an existing transmitter.

13. Wireless DMX Operation (Optional)

The wireless DMX module supports both CRMX and W-DMX protocols

13.1 TIMO-WTR-90 (Optional)

TIMO-WTR-90 includes a 2 in 1 Receiver (W-2 & Wireless DMX) and a Wireless DMX-PCB.



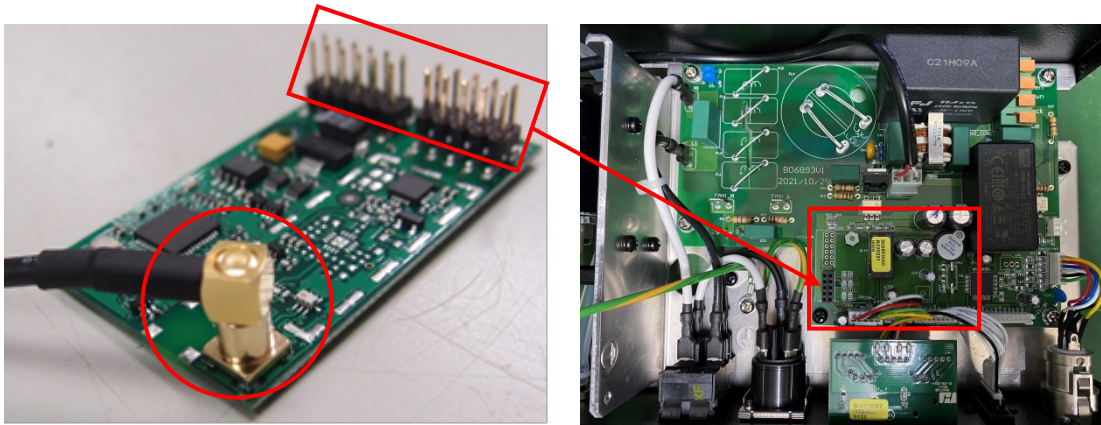
13.2 Installation Steps

Step 1. Release unscrew the receiver, and replace it by the 2 in 1 Receiver. Connect it to the cable shown as below photo and then screw it the panel.



Step 2. Connect the receiver's cable with Wireless DMX-PCB and then install the Wireless DMX-PCB onto the main PCB circled in red below.

※ Please make sure the Wireless DMX-PCB pins are firmly installed attached with S-600 main PCB.



14. SC-4 Wired Remote Operation (Optional)

Wired remote control SC-4 enables to control the machine from a remote location. With three push buttons and 3 rotary knobs to activate/deactivate, priming and snow, motor and fan output level adjustment.

Button/Knob	Function
[SNOW VOLUME] Knob	Adjust snow output level 0-100%
[BLOWER SPEED] Knob	Adjust motor output level 0-100% to adjust snowflake size.
[FAN SPEED] Knob	Adjust fan output level 0-100%
[TIMER] Button	Activate Timer Setting Interval and duration time is set on control panel. Output level is controlled by rotary knob on SC-4.
[POWER] Button	Turn On/Off SC-4 remote
[MANUAL] Button	Max snow, motor and fan output level.

※IMPORTANT NOTE:

1. Press [POWER] button to activate SC-4 remote.
2. With first time operation, a new tank of fluid or refill the fluid may not pump properly due to airlock in the pipeline, use [MANUAL] button to activate pump, motor and fan at maximum output to push the air out of the pipeline.



SC-4 Connector



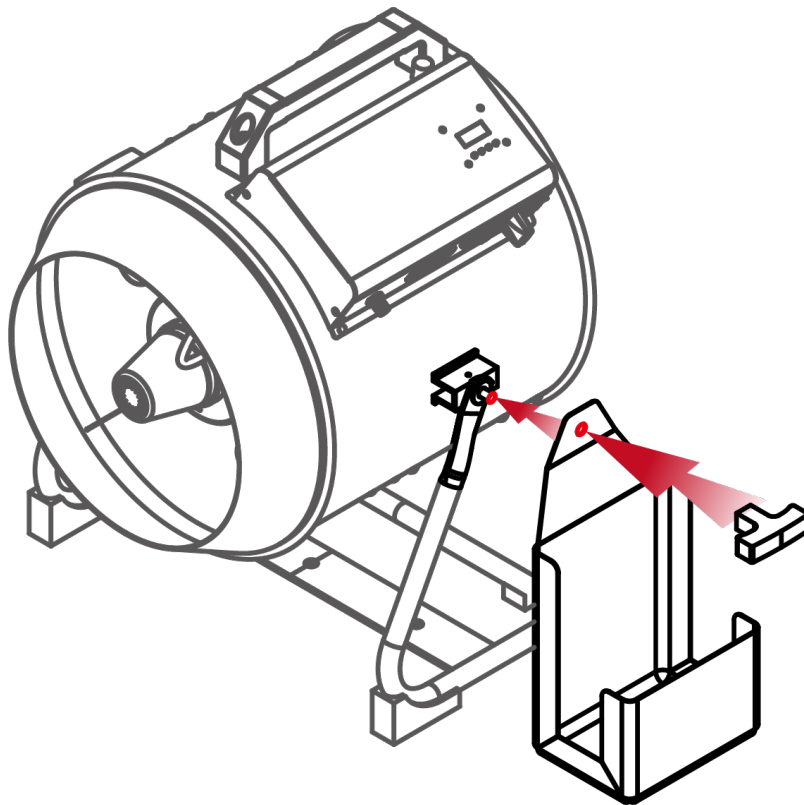
SC-4 Wired Remote

15. S-600-BH / 5-liter bottle holder (Optional)

Optional S-600-BH / 5-liter bottle holder is available to meet the needs of different occasions. Follow below steps to install the bottle holder.

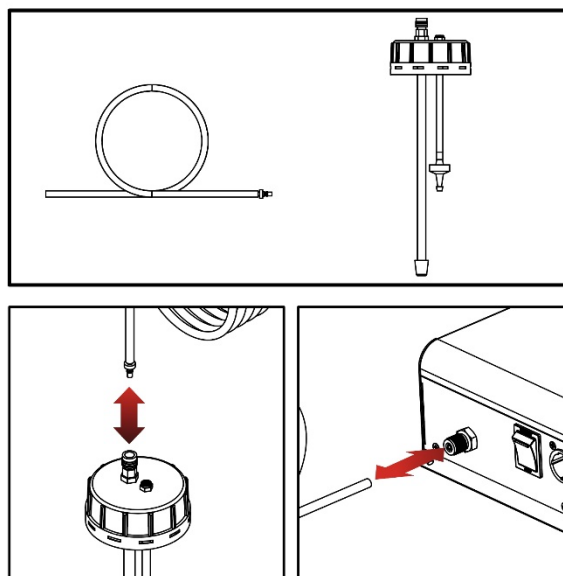


- Step 1.** Release the T shaped handle on S-600.
- Step 2.** Install S-600-BH to the machine.
- Step 3.** Screw the T shaped handle back to S-600 tightly to complete the installation.



16. S-600-TKC / 20 Liter Tank Cap assembly w/5M tube (Optional)

The tank cap assembly is designed for 20-Liter tank. Please connect the 5-meter fluid tube to S-600 and then connect the quick connector to the cap. Please do not bend the fluid tube.



17. Service and Maintenance



DANGER!

Disconnect from mains before starting maintenance operation!

- Do not allow the machine to become contaminated.
- Remove dust from air vents with air compressor, vacuum or a soft brush.
- Only use a damp cloth to clean the casing.
- It is recommended to run the machine on a monthly basis in order to achieve best performance and output condition.
- Excessive dust, liquid and dirt built up will degrade performance and cause overheating.
- Before storing away after operation, pump pure water through the system for at least 1 to 2 minutes. This will help clean out the remaining snow fluid and prevent pump from malfunction on next usage.

18. Technical Specifications

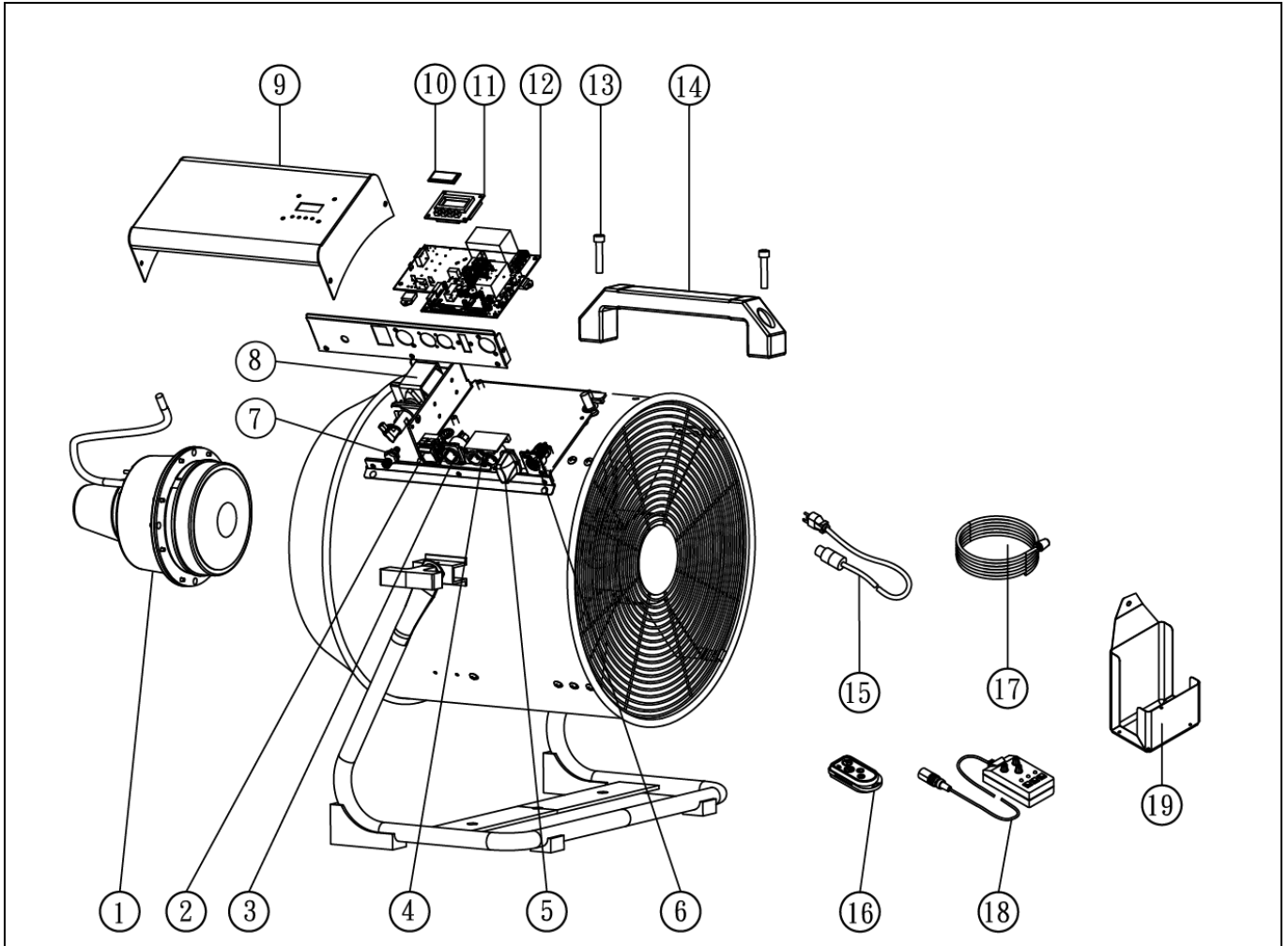
S-600	
Input voltage	US model : AC 100-120V, 50/60Hz 10A EU model : AC 220-240V, 50/60Hz 5A
Rated power	1200W
Fluid consumption	400 ml/min
Compatible fluid	Antari SL-N Snow Foam Fluid Antari SL-AN Premium Snow Foam Fluid Antari SL-H Super Dry Snow Foam Fluid Antari SL-C Anti-Freezing Snow Foam Fluid Antari SL-UV UV Snow Foam Fluid
Ambient temp/ range	5°C – 40°C (41°F – 104°F)
Control	Manual, Timer, DMX 512, Wireless Wireless DMX (Optional)
DMX channels	3 channels
Connection	Neutrik Powercon (Power) XLR 5-pin (DMX)
Included accessories	W-2 Wireless Radio Transmitter 5-Meter Fluid Tube with Filter Hanging Bracket
Optional accessories	TIMO-WTR-90 Wireless DMX SC-4 Cable Remote S-600-BH Bottle Holder (For 5-Liter Bottle. Bottle is not included)
Dimension	L 461.2 W 596 H 629.6 mm (L 18.16 W 23.47 H 24.79 inch)
Weight	24 kg (52.9 lbs)

19. Machine Dimension



20. Exploded diagram

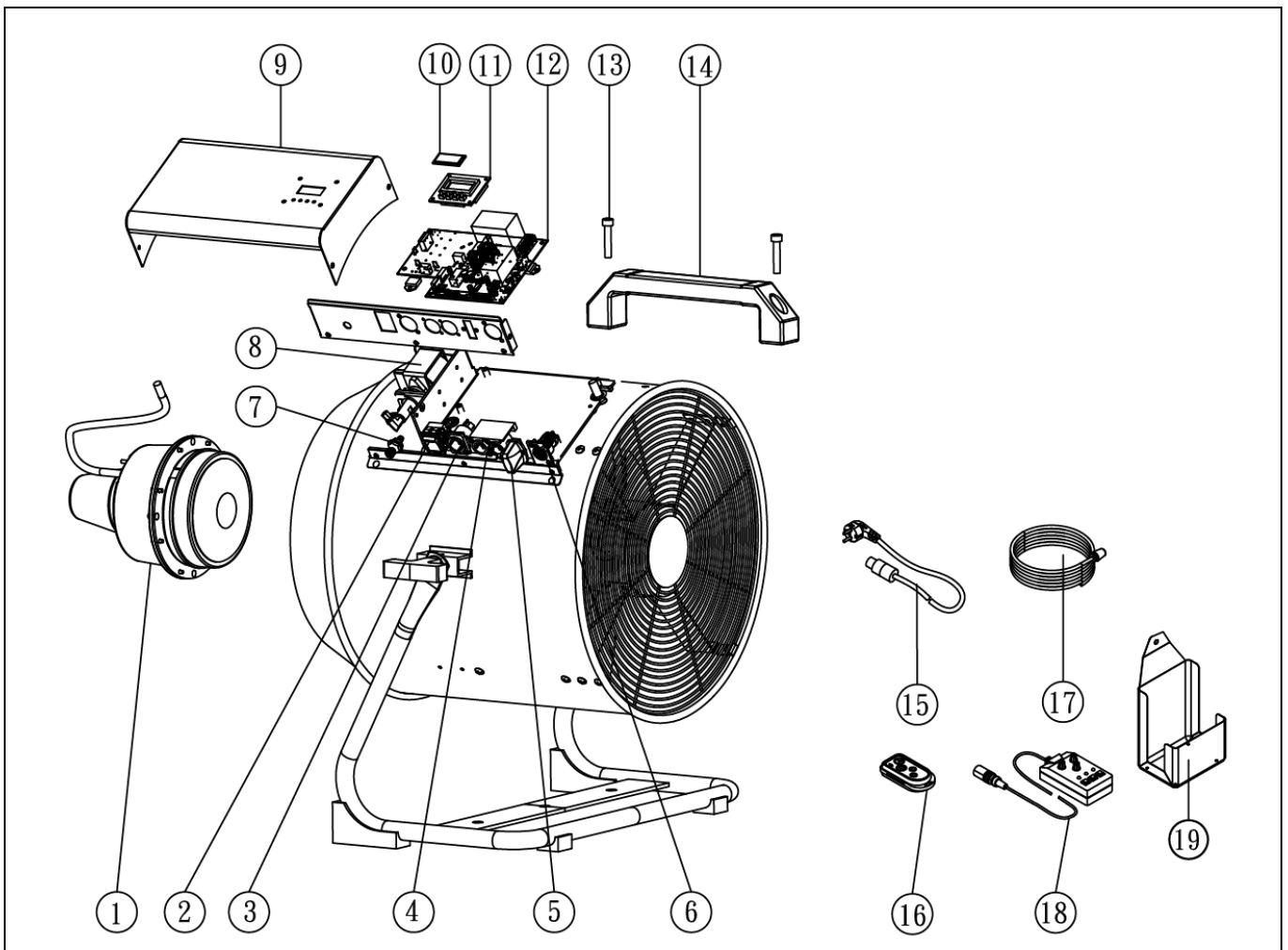
20.1 AC-120V



SPARE PARTS OF S-600

1	S-600-M	Air blower	11	S-600-PCBC	Control P.C board
2	C040039B0	Rocker switch / Power	12	S-600-PCB	Main P.C board
3	C04312621	Power socket (Inlet)	13	C01007010	Socket head cap screw
4	S-600-PCBD5	P.C board DMX 5Pin	14	C02025000	Handle
5	W-2RA	Wireless Receiver	15	S-600-PC	Power cord & Plug
6	C045E2900	Control inlet socket	16	W-2A	Wireless transmitter
7	C00013610	Fluid tube connector	17	FT-P-6-4A-5M	Fluid tube with filter / 5M
8	S-600-P	Pump (Group)	18	SC-4	Wired remote controller (Optional)
9	S60000100	Steel	19	S-600-BH	Bottle holder (Optional)
10	C02000700	Acrylic			

20.2 AC-230V



SPARE PARTS OF S-600

1	S-600E-M	Air blower	11	S-600-PCBC	Control P.C board
2	C040039A0	Rocker switch / Power	12	S-600-PCB	Main P.C board
3	C04312621	Power socket (Inlet)	13	C01007010	Socket head cap screw
4	S-600-PCBD5	P.C board DMX 5Pin	14	C02025000	Handle
5	W-2RE	Wireless Receiver	15	S-600-PC	Power cord & Plug
6	C045E2900	Control inlet socket	16	W-2E	Wireless transmitter
7	C00013610	Fluid tube connector	17	FT-P-6-4A-5M	Fluid tube with filter / 5M
8	S-600-P	Pump (Group)	18	SC-4	Wired remote controller (Optional)
9	S60000100	Steel	19	S-600-BH	Bottle holder (Optional)
10	C02000700	Acrylic			



中文使用說明書

1. 前言

使用本產品之前，請務必詳加閱讀此說明書後正確使用。

請將本說明書放置在產品使用者可隨時查閱之處存放。

如果您有任何使用上的問題，請聯繫當地的 Antari 經銷商尋求清楚的說明與協助。

2. 安全注意事項



注意!

在使用機器以前，請仔細閱讀以下說明，此份說明書包含了如何在安全的情況下安裝使用機器，且會說明機器上所有標示的標籤所代表的意義。



危險!

請務必使用正確電壓，使用危險電壓，您在接觸電線時可能會遭受危險的電擊！



警告!

請務必將機器連結到有保護的電路，並確保有正確地接地，以避免觸電的危險。

※ 因忽視本使用手冊而造成的損壞不在保修範圍內。經銷商將不對由此產生的任何損壞或問題承擔任何責任。

2.1 安裝時

- 保持機器乾燥，此機器不防水，請勿使其遭水潑濺。
- 請在穩定且堅固、通風良好及週邊無存放及使用可燃性氣體或易燃物質的地方安裝及使用機器，勿遮蓋機器散熱部份，機器周邊至少應保留 50 公分的空間。
- 在插入電源插座前，請確認電源插座無損壞或鬆動，插座電源規格與機器電壓規格是否相符，電源插頭是否清潔與乾燥，確認電源線外觀無破損、扭擰、變形，請配合接地型插座，

以避免觸電及火災的危險。

- 若電源線損壞，必須使用製造商或是其代理商提供的原廠電源線或組件進行更換。
- 請勿隨意拆卸、修理、改造機器，可能導致機器故障、損壞及造成火災或觸電危險。
- 本產品僅限室內使用，請勿將機器暴露在雨中或潮濕的環境，本產品非防水設計，遇潮濕、浸水或雪花水滲入時，請即刻拔掉插頭並以乾布擦拭乾淨後靜置，請勿連結機器與 AC 電源，請連繫您當地的 Antari 經銷商進行檢修。
- 在使用本機之前，請詳細的閱讀一次印刷在機器上的警語標示，機器上的警語標示說明如下：

WARNING! 警告!

DISCONNECT POWER BEFORE CHANGING FUSE. 更換保險絲前請務必斷開電源。

USE ONLY WITH ADULT SUPERVISION. 僅在成人監督下使用。

DO NOT OPERATE WITHOUT SNOW FLUID. 請勿在沒有雪花水的情況操作本機台。

FOR INSIDE USE ONLY. KEEP DRY. 僅限室內使用。請保持乾燥。

NO USER SERVICEABLE PARTS INSIDE. 內部無維修用之零備件。

LIQUID PLEASE USE ANTARI SNOW FLUID ONLY. 僅使用 ANTARI 的雪花水。

ATTENTION! NEVER ADD FLAMMABLE SUBSTANCES. 注意! 切勿添加易燃物質。

2.2 使用時

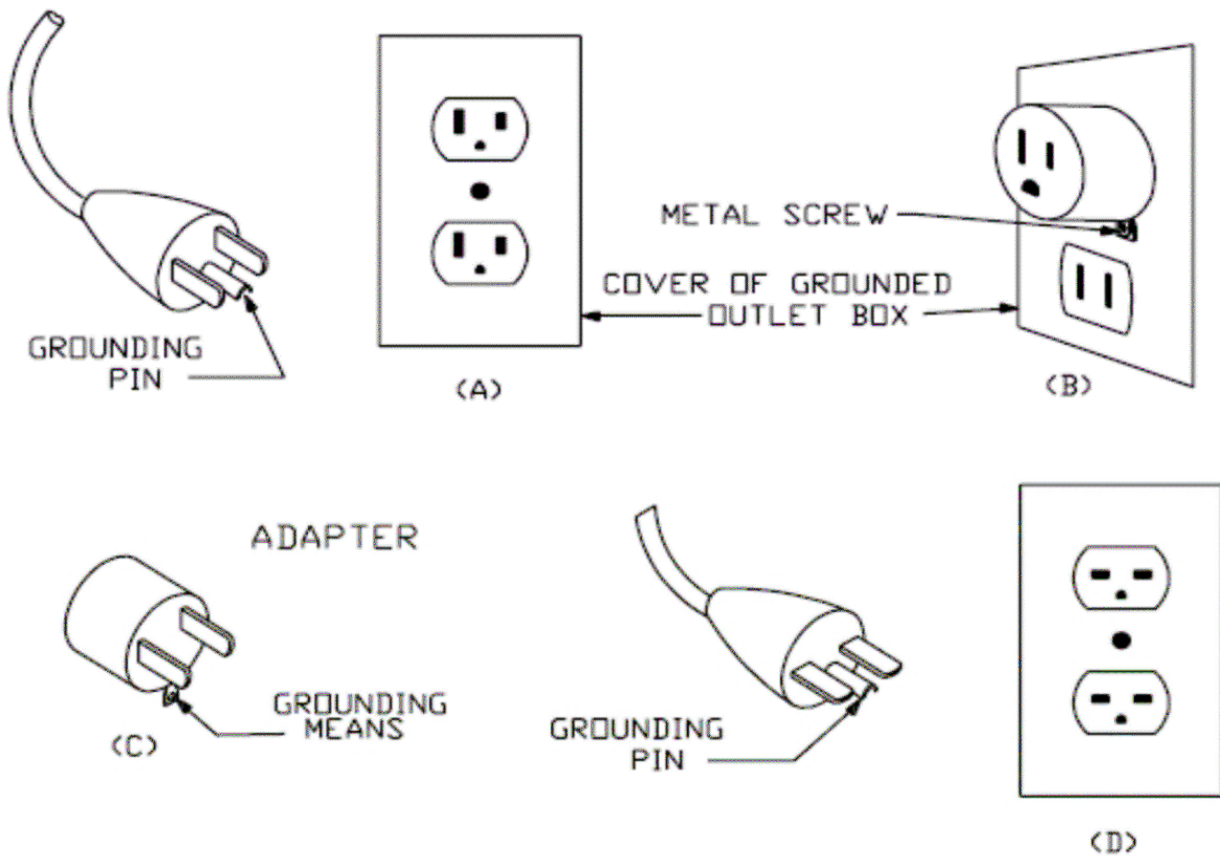
- 請勿在捆綁電源線的情況下使用，可能會發熱導致火災。
- 請勿在電壓不穩定的地區使用，可能導致機器不正常動作或機器內部元件燒毀。
- 操作機器時請勿將機器對著人體、動物、火焰使用，並請確認機器周邊勿存放及使用可燃性氣體或易燃物質。
- 機器限有行為能力之成人或專業人員操作，身體、感官或精神能力下降或缺乏經驗和專業知識的人（包括兒童）不得使用本設備，請勿在無人值守時讓機器運作，請於外出離去時確實關閉電源。
- 孩童應受監管，不能操作、嬉戲以及把玩本設備。
- 如果機器出現異常聲音或有任何不正常現象時，請立即停止工作，請將電源關閉及拔下機器插頭，並請連繫您當地的 Antari 經銷商。
- 不使用時請關機或請拔掉插頭，長時間不使用時請拔掉插頭。
- 移除機器及 AC 電源插座前，請確認機器已關機不在使用的狀態下。
- 請勿將機器放倒或傾斜使用，可能導致機器動作不正常或損壞。
- 請記得在運送本產品前，確認機器的油箱已清空並且包裝完整(建議以原包裝)。
- 雪花水不能食用，吞食雪花水可能導致損壞健康的風險，請將雪花水存放在室內安全的地方。如果碰觸到眼睛或誤吞食，請立即尋求醫生的協助。
- 填充雪花水前，請務必先拔掉插頭。
- 如果您有任何使用上的問題，請聯繫當地的 Antari 經銷商尋求清楚的說明與協助。

2.3 接地說明

本設備必須正確接地，在發生故障或損壞時，接地為電流提供了一條電阻最小的路徑，以降低觸電的風險。本設備配有接地電源線，並且必須插入適當的接地插座，該插座已根據所有當地法規和條例正確安裝和接地。切勿折斷或移除接地插腳。

危險：若設備接地導體連接不當可能導致觸電危險。本設備接地導體外表面為綠色、帶或不帶黃色條紋的絕緣導體。如果需要修理或更換電源線或插頭，請勿將設備接地導體連接到帶電端子。如果不清楚接地說明，或者對本設備是否正確接地有疑問，請諮詢合格的電工或維修人員。請勿修改設備隨附的插頭。如果不適合插座，請由合格的電工安裝合適的插座。

本設備的電源線帶有一個接地插頭，請將插頭插入下圖中的圖 A 和圖 D 中所示的 2+1 孔插座。如果沒有接地的插座，可以使用一個類似於圖 C 中所示的轉接頭，將此轉接頭連接到圖 B 中的 2 孔插座。無論何時使用轉接頭，都必須用金屬螺絲將其固定到位，避免鬆脫。只有在合格的電工可以安裝正確接地的插座之前，才能使用臨時轉接頭。電源插頭伸出的接地導體必須連接到永久接地插座。插座必須要有盒蓋保護。



3. 包裝內容

在收到機器後，請立即小心地打開包裝紙箱，檢查所有內容，確認您所購買的機型及配件，如果有任何部件因運輸過程出現損壞或缺少，請立即連絡經銷商，並以原包裝退回檢查。

3.1 標準包裝

- 1 台 S-600 雪花機
- 1 條 PowerCon True 1 電源線
- 1 本 使用手冊或掃描機身 QR CODE
- 1 組 5 米長油管含濾嘴
- 1 個 W-2 無線發射器(機器出廠時，接收器已安裝在機器上)
- 1 組 吊架

3.2 選配說明

品項	描述
TIMO-WTR-90	無線 DMX 模組 (二合一接收器，和無線 DMX-PCB)
SC-4	線控制器
S-600-BH	5 公升油桶座
S-600-TKC	20 公升油桶蓋組，含 5 米長油管

4. 機器外觀概述



01. 控制面板	06. 無線訊號接收器
02. 雪花水油管接口	07. SC-4 控制器連接座
03. 電源開關 & 復歸式電流斷路器	08. 噴頭
04. Neutrik PowerCon 電源連接座	09. 吊架
05. XLR 5-Pin DMX 連接座	10. 技術標籤

5. 技術標籤資訊

使用本機台前，請詳閱技術標籤上的訊息



1. 機台型號
2. 使用電壓
3. 頻率
4. 瓦特數
5. 保險絲規格
6. 說明書 QR CODE
7. 機台流水序號

6. 液體使用

- 僅能使用 Antari 原廠該機型指定之雪花水，不可混用、稀釋，若因保存不當而變質或使用非原廠的雪花水，將可能導致機器故障並保固失效。
- 請勿混用雪花水，如需更換另一種雪花水使用前，請將油桶中的雪花水清空，以避免混合。



警告!

將液體加入機台之前，請務必斷開電源。請勿添加易燃液體。如果液體流入機台內部，請洽 Antari 原廠或其經銷商以做維修。

7. 機器安裝操作步驟



警告!

機台掉落可能會造成嚴重傷害。請確保本機台安裝牢固且不會掉落。

- 步驟1.** 將機器平放於穩定且堅固的平坦的表面，機器周圍至少應保留 50 公分的空間。
- 步驟2.** 使用 ANTARI 原廠專用雪花水，請將所附的 5M 油管如下圖示接上機台上的雪花水油管接口，並將濾嘴端放入所採購的雪花水桶裡。請注意不要折到油管。請務必將油管確實接上機台。



5 米長油管含濾嘴



- 步驟3.** 將機器連接電源，連接之前，確認機器背後技術標籤上所標示要求功率，是否與電源相符。
- 步驟4.** 啟動機器電源。
- 步驟5.** 欲開始噴雪，按下控制面板上的 **VOLUME**；停止噴雪請按一下控制面板上的 **STOP**
- 步驟6.** 需關閉本機時，請確認機器已停止運轉，再將電源開關關閉即可，長時間不使用時請移除電源線。

※其它注意事項：當雪花停止輸出時，雪花機馬達會吹 5 秒才停止。帶馬達停止後，才能關閉機台電源。

8. 操作說明

S-600 Yeti 雪花機可透過以下方式操作，但一次僅能接收一種控制訊號，同時使用不同控制方式下，機器會按內建的控制優先權運作。

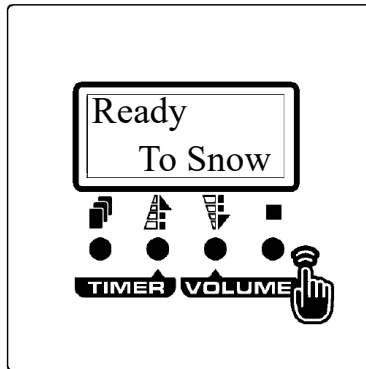
- 手動控制: 透過控制面板操作
- 定時控制: 透過控制面板操作
- DMX512
- SC-4 有線控制器
- 無線 DMX (選配)
- W-2 無線控制功能

S-600 控制方式優先順序為：W-DMX(選配)>DMX 512 > W-2 無線控制> SC-4 有線控制器 (選配)
>手動。

有關個別控制方式的說明，請參閱以下頁面。

8.1 控制面板操作

S-600 可透過機台上所搭載的控制面板進行操作控制。



按鍵	功能
[MENU]	瀏覽設定清單
▲[UP]/[TIMER]	增加數值/啟動定時模式
▼[DOWN]/[VOLUME]	減少數值/啟動輸出量模式
■[STOP]	關閉定時/輸出量模式，確認/離開設定清單

8.2 MENU 設定選單

MENU 選單	說明
Interval XXX min	定時模式下，雪花輸出的間隔時間：1 - 240 分鐘。
Duration XXX min	定時模式下，雪花持續輸出的時間：1 - 999 秒。
Volume Out XXX%	設定雪花輸出量：0 至 100%。
Blower XXX%	設定雪花機馬達轉速：0 至 100%。 可調整落雪顆粒大小。0% 顆粒最大；100% 顆粒最小。
FanSpeed XXX%	設定大風扇輸出量：0 至 100%。
DMX512 Add: XXX	DMX-512 位址: 1-510(本機佔用 3 頻道)。
Wireless On/Off	無線遙控：開啟 / 關閉 點選▲UP 和▼DOWN 按鍵來選擇，並按■STOP 完成設

	定。								
Run Last Set On/Off	記憶模式：On 開啟 / Off 關閉 (接續斷電前的動作) 點選▲UP 和▼DOWN 按鍵來選擇，並按■STOP 完成設定。								
LinkMode Wired/Wireless	連接模式：Wired 有線 / Wireless 無線								
W-DMX Unlink?	無線 DMX 配對：取消連接								
W-DMX ---	無線 DMX 訊號狀態 <table border="1"> <tr> <td>W-DMX ok</td> <td>無線 DMX 發射器已對頻，接收到 DMX 訊號</td> </tr> <tr> <td>No DMX</td> <td>無線 DMX 發射器已對頻，但沒有 DMX 訊號</td> </tr> <tr> <td>TX Lost</td> <td>無線 DMX 發射器連接遺失/正在與發射器連接</td> </tr> <tr> <td>Unassign</td> <td>沒有對頻任何無線 DMX 發射器</td> </tr> </table>	W-DMX ok	無線 DMX 發射器已對頻，接收到 DMX 訊號	No DMX	無線 DMX 發射器已對頻，但沒有 DMX 訊號	TX Lost	無線 DMX 發射器連接遺失/正在與發射器連接	Unassign	沒有對頻任何無線 DMX 發射器
W-DMX ok	無線 DMX 發射器已對頻，接收到 DMX 訊號								
No DMX	無線 DMX 發射器已對頻，但沒有 DMX 訊號								
TX Lost	無線 DMX 發射器連接遺失/正在與發射器連接								
Unassign	沒有對頻任何無線 DMX 發射器								
UID 1ED8 06020001	產品 UID 碼								
Run Time 0000000H	雪花機噴雪累計時間：0 - 9999999 小時								
W. Remote Pair/Upair	無線遙控：Pair 配對 / Unpair 取消配對 點選▲UP 和▼DOWN 按鍵來選擇，並按■STOP 完成設定。								
KeySound Set On/Off	按鍵音：On 開啟 / Off 關閉 點選▲UP 和▼DOWN 按鍵來選擇，並按■STOP 完成設定。								
Backlite AlwaysOn/AutoOff	LCD 背光：Auto Off 自動關閉 / AlwaysOn 常亮 點選▲UP 和▼DOWN 按鍵來選擇，並按■STOP 完成設定。								
Default Proceed?	恢復原廠設置 點選▲UP 和▼DOWN 按鍵來選擇，並按■STOP 完成設定。								

8.3 MENU 設定選單 (適用機種 v1.0 版本)

當您瀏覽選單時，請按■[STOP]鍵進入第二階清單選擇要設定的項目。

MENU 選單 (第一階)	選項 (第二階)	說明
DMX	DMX512 Add: XXX	DMX-512 位址: 1-510(本機佔用 3 頻道)。

	LinkMode Wired	連接模式：Wired 有線 / Wireless 無線
	W-DMX Unlink?	無線 DMX 配對：取消連接
Manual 手動控制	Interval XXX min	定時模式下，雪花輸出的間隔時間：5 - 240 分鐘。
	Duration XXX min	定時模式下，的雪花持續輸出的時間：5 - 240 分鐘。
	Volume Out XXX%	設定雪花輸出量：0 至 100%。
	Blower XXX%	設定雪花機馬達轉速：0 至 100%。 可調整落雪顆粒大小。0% 顆粒最大；100% 顆粒最小。
	FanSpeed XXX%	設定大風扇輸出量：0 至 100%。
Info 機台訊息	W-DMX ---	無線 DMX 訊號狀態
		W-DMX ok 無線 DMX 發射器已對頻，接收到 DMX 訊號
		No DMX 無線 DMX 發射器已對頻，但沒有 DMX 訊號
		TX Lost 無線 DMX 發射器連接遺失/正在與發射器連接
UID 1ED8 06020001	產品 UID 碼	
Run Time 0000000H	雪花機噴雪累計時間：0 - 9999999 小時	
Setting 設定	W.Remote Pair	無線遙控：Pair 配對 / Unpair 取消配對 請參考 12.3 無線功能配對說明
	Run Last Set Off	記憶模式：On 開啟 / Off 關閉 (接續斷電前的動作) 點選▲UP 和▼DOWN 按鍵來選擇，並按■STOP 完成設定。
	KeySound Set On	按鍵音：On 開啟 / Off 關閉 點選▲UP 和▼DOWN 按鍵來選擇，並按■STOP 完成設定。
	Backlite AlwaysOn	LCD 背光：Auto Off 自動關閉 / AlwaysOn 常亮 點選▲UP 和▼DOWN 按鍵來選擇，並按■STOP 完成設定。
	Default Proceed?	恢復原廠設置 點選▲UP 和▼DOWN 按鍵來選擇，並按■STOP 完成設定。

9. 機器狀態說明

面板畫面	說明
S-600 v1.0	機種版本
AC Input AC-XXX	使用電壓
Ready To Snow	噴雪就緒
Remote Out XXX%	線控器執行中(插上線控器 SC-4 時才會顯示此頁面)
Volume Out XXX%	手動噴雪執行中
Interval XXX min	定時噴雪執行_間隔時間
Duration XXX min	定時噴雪執行_噴煙時間
DMX-512 Add: XXX	顯示目前通道位址
Priming 100%	強制抽油執行中
Wrong Voltage!	電源電壓輸入錯誤
AC Power Failure	AC 電源失常

10. DMX 說明

10.1 接點說明

本機可提供 5 PIN XLR 的 DMX 連接選擇。下為 PIN 的接點說明：

Pin	功能
1	接地
2	數據-
3	數據+
4	NA
5	NA

10.2 DMX 通道功能

透過控制清單來設置 DMX 位址。本機佔用 3 個控制通道，機器預設位址為第一頻道。

通道	通道模式	DMX 數值範圍	功能
通道 1	雪花輸出量	0-5	關閉
		6-255	開啟，輸出 0-100%
通道 2	雪花馬達轉速	0-5	關閉
		6-255	開啟，輸出 0-100%
通道 3	大風扇轉速	0-5	關閉
		6-255	開啟，輸出 0-100%

11. RDM 說明

S-600 Yeti 配有 RDM 功能，讓使用者可以經由 DMX 網路使用 RDM 功能進行機台的設定、監控、管理。

RDM 支援參數

GET Allowed	SET Allowed	Category 類別	RDM Parameter ID's (Slot 21-22)	Value	Required
-------------	-------------	----------------	---------------------------------	-------	----------

		Network Management 網路管理	DISC_UNIQUE_BRANCH	0x0001	O
			DISC_MUTE	0x0002	O
			DISC_UN_MUTE	0x0003	O
O		RDM Information RDM 資訊	QUEUED_MESSAGE	0x0020	
O			SUPPORTED_PARAMETERS	0x0050	O
O			PARAMETER_DESCRIPTION	0x0051	O
O		Product Information 產品資訊	DEVICE_INFO	0x0060	O
O			PRODUCT_DETAIL_ID_LIST	0x0070	
O			DEVICE_MODEL_DESCRIPTION	0x0080	
O			MANUFACTURER_LABEL	0x0081	
O	O		DEVICE_LABEL	0x0082	
O			SOFTWARE_VERSION_LABEL	0x00C0	O
O	O	DMX512 Setup DMX512 設定	DMX_PERSONALITY	0x00E0	
O			DMX_PERSONALITY_DESCRIPTION	0x00E1	
O	O		DMX_START_ADDRESS	0x00F0	O
O			SLOT_INFO	(0x0120)	
O			SLOT_DESCRIPTION	(0x0121)	
O			DEFAULT_SLOT_VALUE	(0x0122)	
O		Sensors 感應器	SENSOR_DEFINITION	0x0200	
O	O		SENSOR_VALUE	0x0201	
O			DEVICE_HOURS	0x0400	O
O	O	Control 控制	IDENTIFY_DEVICE	0x1000	O

12. 無線模組配對及操作說明

S-600 含無線控制功能，接收器於出廠時已安裝在機台上。

12.1 W-2 無線發射器說明

- 發射器：使用 27A 12V 電池
- 接收距離：在無障礙物的開放空間，有效距離為 50 公尺。實際收訊狀況根據障礙物多寡及環境因素而有所不同。
- W-2 無線發射器配有 4 個按鈕，可以用來啟動、關閉、調整雪花輸出、馬達轉速以及風扇轉速。



W-2 無線發射器

按鈕	功能
[A] 鍵	短按：啟動功能 長按 2 秒以上：停止功能
[B] 鍵	雪花輸出量 可調範圍: 0/20/40/60/80/100%
[C] 鍵	雪花機馬達轉速 可調範圍: 0/20/40/60/80/100%
[D] 鍵	大風扇轉速 可調範圍: 0/20/40/60/80/100%



W-2 無線接收器
(出廠時已安裝在機台上)

12.2 W-2 無線接收器

S-600 含無線控制功能，W-2 無線發射器於配件包內，W-2 無線接收器已安裝在機台上。

12.3 無線功能配對說明

- 接收器能與發射器對頻及取消對頻。
- 每個接收器可以與最多 5 組發射器對頻。
- 請按照以下步驟來取消與對頻無線發射器。

步驟 1：按[MENU]鍵進入選單[Setting]，選擇[W.Remote]無線控制配對設定畫面。

UP: Pair
DOWN:Unpair

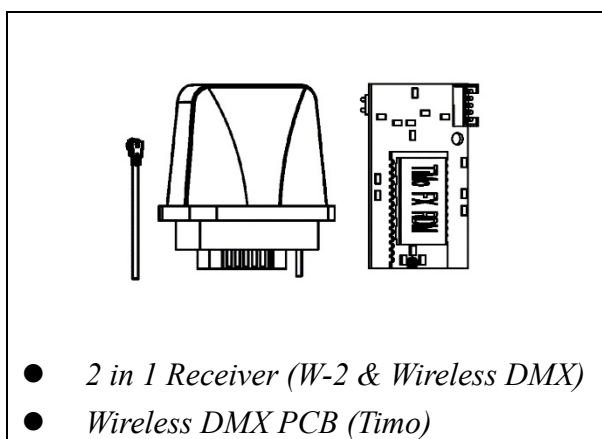
步驟 2A：按 [UP / 箭頭向上] 按鍵選擇 [Pair] 對頻新的發射器，按 [STOP] 鍵後，再 W-2 無線發射器上的任何按鍵來完成對頻。

步驟 2B：按 [DOWN / 箭頭向下] 按鍵選擇 [Unpair] 按鍵來刪除現已對頻之發射器。

13. 無線 DMX 安裝說明 (選配)

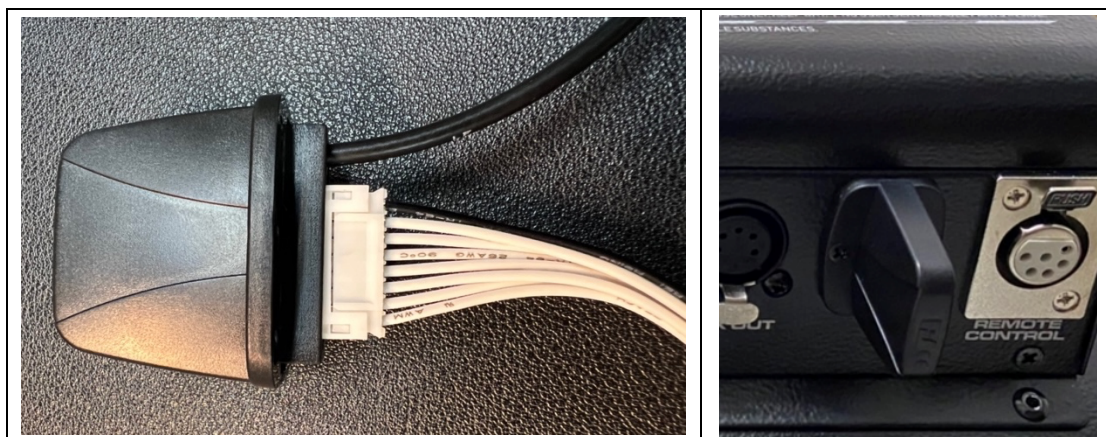
13.1 TIMO-WTR-90 (選配)

TIMO-WTR-90 無線 DMX 組包含一個二合一無線接收器(W-2 & 無線 DMX)以及一個無線 DMX-PCB



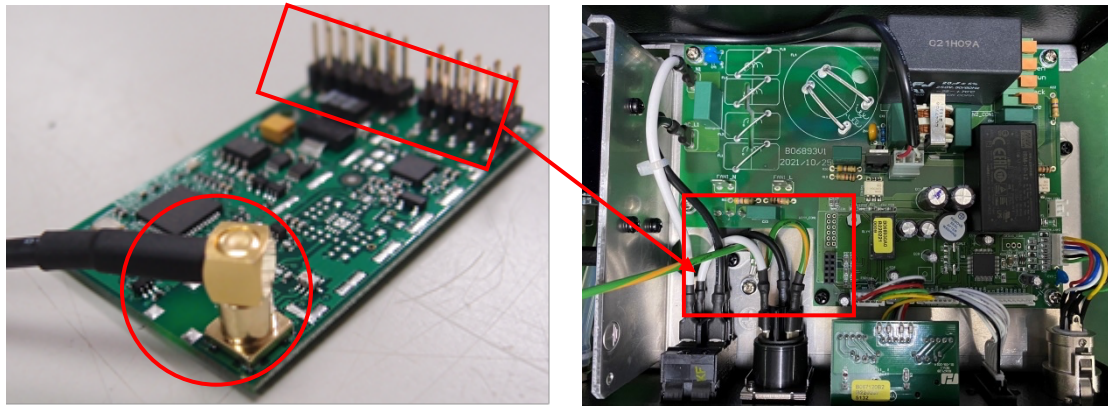
13.2 安裝步驟

步驟1. 如下圖所示將排線接上二合一無線接收器，再將接收器鎖回機台上。



步驟2. 請先將天線確實組在無線 DMX PCB 板上，並將無線 DMX PCB 板安裝在機器主版紅框處，組裝完成後鎖附螺絲。

※請注意無線 DMX PCB 板的接腳是否確實組裝至機器主板上。



14. SC-4 有線控制器操作說明 (選配)

使用 SC-4 控制器操作機器時，請將其連結位於機器背面的 6 Pin 麥克風插座。SC-4 配有 3 個按鈕及 3 個旋鈕，可控制啟動/關閉機器、設定及調整風扇轉速、鼓風機轉速及雪花輸出量。

按鈕/旋鈕	功能
[SNOW VOLUME]旋鈕	調整雪花輸出量 0-100%
[BLOWER SPEED]旋鈕	調整雪花機馬達轉速 0-100%，可調整落雪顆粒大小
[FAN SPEED]旋鈕	調整大風扇轉速 0-100%
[TIMER]黃色按鈕	定時噴煙功能 定時間格/時間會依據面板設定。 輸出量則依據控制器旋鈕的設定。
[POWER]紅色按鈕	啟動控制器
[MANUAL]綠色按鈕	雪花輸出量、馬達轉速以及大風扇轉速為最大 壓下後 100%全量輸出

※請注意:

1. 按紅色按鈕[POWER]以啟動控制器。
2. 當新機第一次開機、換一個新的油桶或是添加雪花水後，幫浦可能因為油管中有空氣而無法順暢的運作，此時可以按右側綠色的[MANUAL]按鈕，將雪花輸出量、雪花馬達以及大風扇以 100%輸出，藉此將油管中的空氣排出。



SC-4 控制器連接座



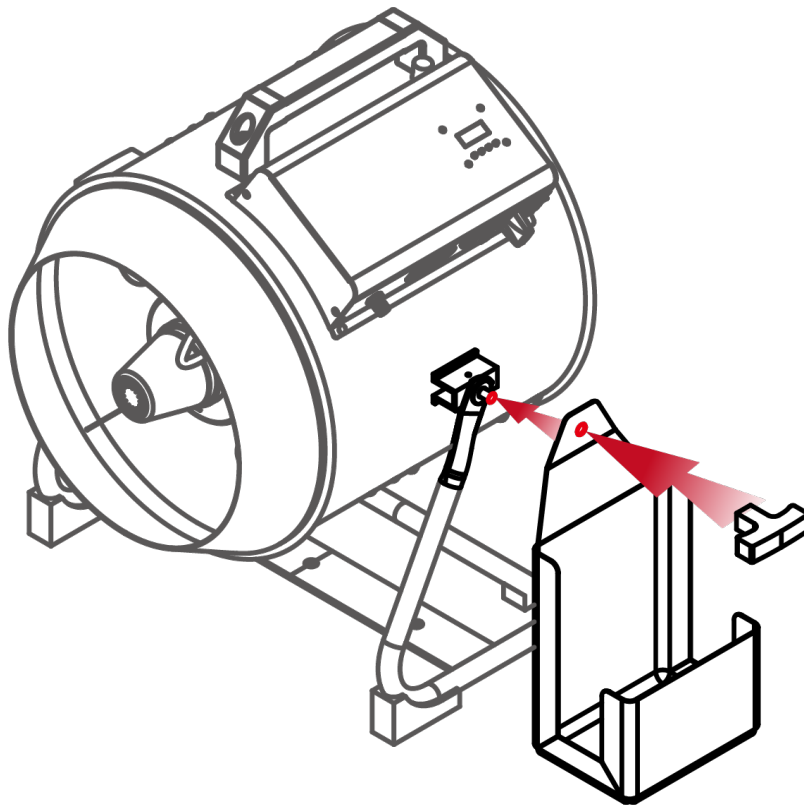
SC-4 有線控制器

15. S-600 BH / 5 公升油桶座安裝說明(選配)



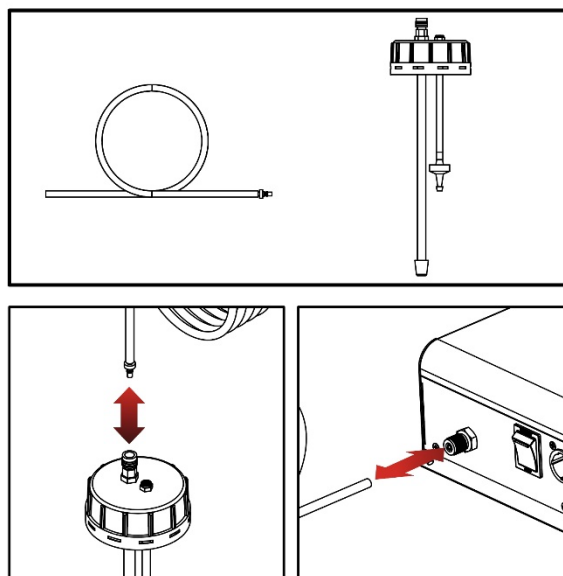
可選購 S-600 BH / 5 公升油桶座來滿足不同場合的應用需求。此油桶座安裝簡單，請參考下圖並依照步驟安裝。

- 步驟1.** 將機台上的 T 型塑膠把手旋鬆。
- 步驟2.** 放入油桶座。
- 步驟3.** 再將 T 型塑膠把手旋緊即完成安裝。



16. S-600-TKC / 20 公升油桶蓋組，含 5 米長油管(選配)

此油桶蓋含 5 米長油管專門設計來搭配 20 公升油桶。請將所附的 5 米油管如下圖示接上機台上的雪花水油管接口，並將另外一端快速接頭插入油桶蓋。請注意不要折到油管。請務必將油管確實接上機台。



17. 機器維護保養



危險!

維修保養之前，請務必斷開電源！

- 請保持機器清潔，不要讓機器髒汙。
- 可以使用空氣壓縮機、吸塵器或軟刷除去機器上的灰塵。
- 機殼可使用濕布擦拭。
- 建議每月至少讓機器運轉一次，以保持機器處於最佳的性能和輸出條件。
- 機器上過多的灰塵、液體殘餘累積的髒汙會降低機器工作性能，導至散熱不良。
- 每次使用完畢儲藏前，請注入清水至油桶中並啟動機器讓幫浦運轉 1~2 分鐘，讓清水帶出留在馬達及前端噴嘴中的雪花水，以清潔機器並延長機器的使用壽命。

18. 技術規格

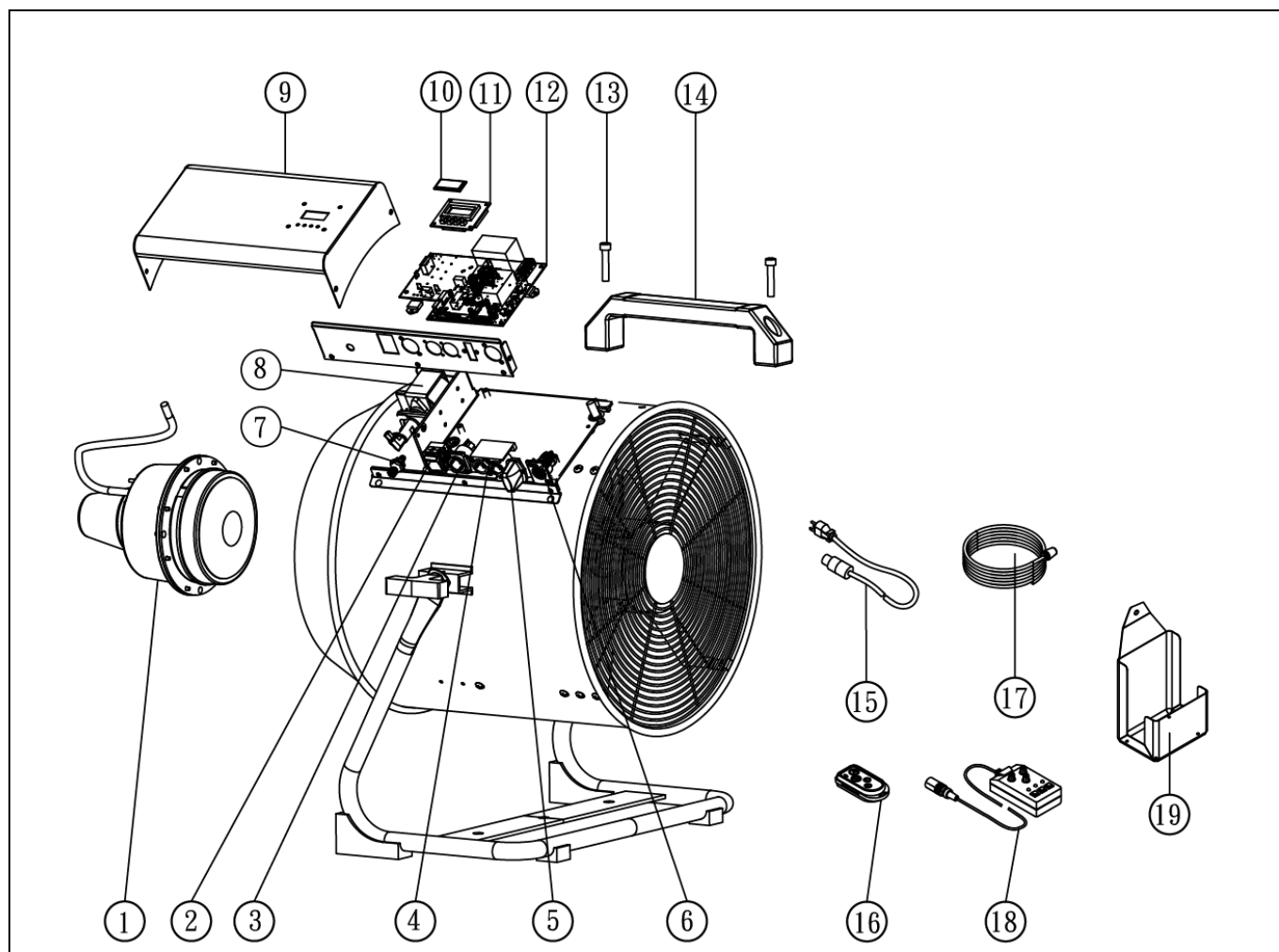
S-600	
電壓	美規: AC 100-120V, 50/60Hz 10A 歐規: AC 220-240V, 50/60Hz 5A
額定功率	1200 瓦
耗油量	400 毫升/分鐘
適用雪花水	Antari SL-N 雪花水(新配方) Antari SL-AN 快速消散雪花水(新配方) Antari SL-H 極致乾燥雪花水 Antari SL-C 抗凍雪花水 Antari SL-UV 螢光雪花水
適用環溫	5°C – 40°C (41°F – 104°F)
控制方式	手動控制、定時控制、DMX 512、無線控制 無線 DMX(選配)、有線控(選配)
DMX 512 通道	佔用 3 個通道
連接座	Neutrik Powercon (主電源) 5-pin (DMX)
標準配件	5 米長油管含濾嘴、W-2 無線發射器、吊架
選擇性配件	WTR-90 無線 DMX 模組 SC-4 有線控制器 S-600 BH / 5 公升油桶座
尺寸	長 461.2 寬 596 高 629.6 公釐 (長 18.16 寬 23.47 高 24.79 英寸)
重量	24 公斤 (52.9 磅)

19. 機器尺寸圖



20. 機台爆炸圖

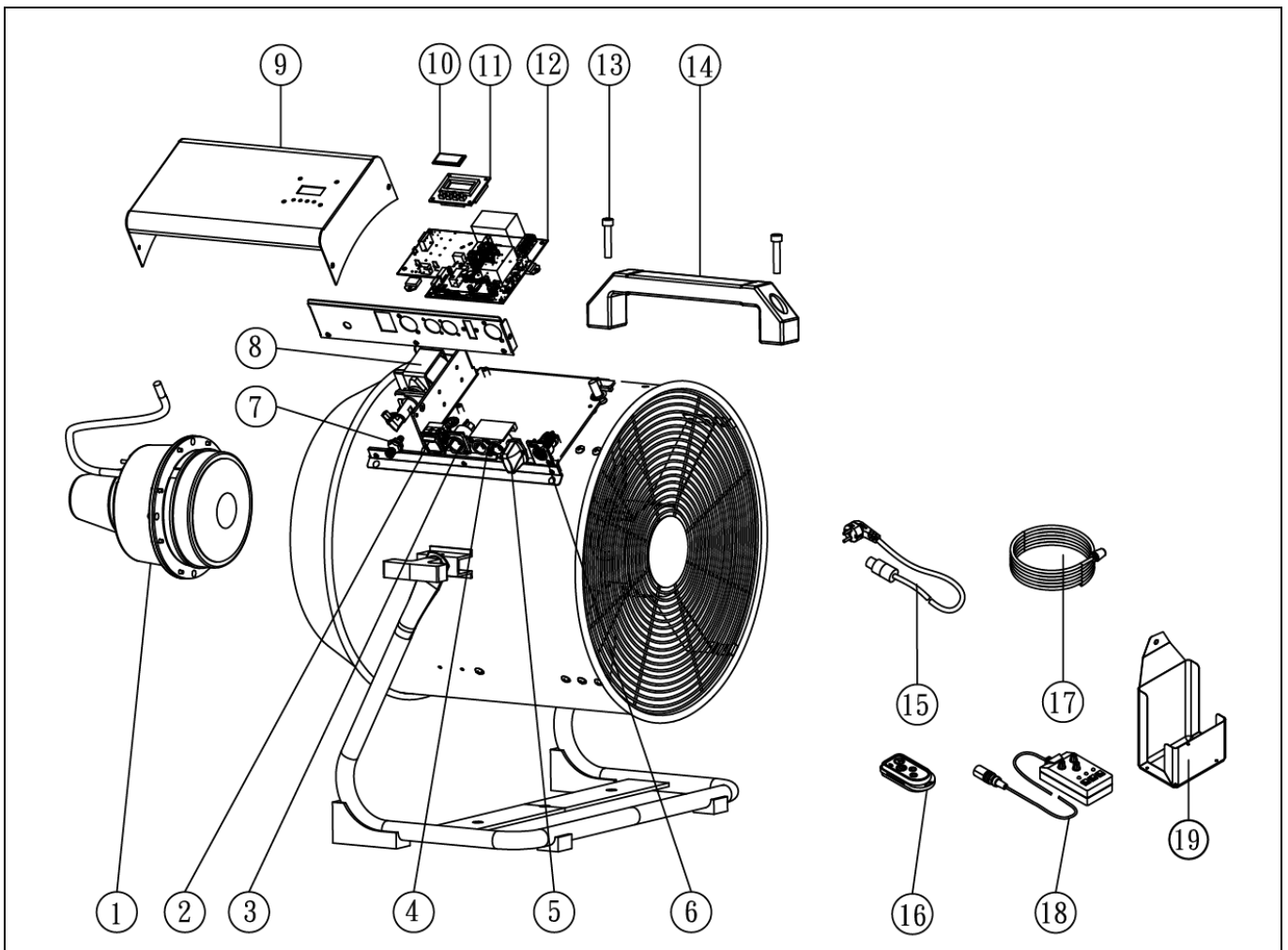
20.1 AC-120V



SPARE PARTS OF S-600

1	S-600-M	Air blower	11	S-600-PCBC	Control P.C board
2	C040039B0	Rocker switch / Power	12	S-600-PCB	Main P.C board
3	C04312621	Power socket (Inlet)	13	C01007010	Socket head cap screw
4	S-600-PCBD5	P.C board DMX 5Pin	14	C02025000	Handle
5	W-2RA	Wireless Receiver	15	S-600-PC	Power cord & Plug
6	C045E2900	Control inlet socket	16	W-2A	Wireless transmitter
7	C00013610	Fluid tube connector	17	FT-P-6-4A-5M	Fluid tube with filter / 5M
8	S-600-P	Pump (Group)	18	SC-4	Wired remote controller (Optional)
9	S60000100	Steel	19	S-600-BH	Bottle holder (Optional)
10	C02000700	Acrylic			

20.2 AC-230V



SPARE PARTS OF S-600

1	S-600E-M	Air blower	11	S-600-PCBC	Control P.C board
2	C040039A0	Rocker switch / Power	12	S-600-PCB	Main P.C board
3	C04312621	Power socket (Inlet)	13	C01007010	Socket head cap screw
4	S-600-PCBD5	P.C board DMX 5Pin	14	C02025000	Handle
5	W-2RE	Wireless Receiver	15	S-600-PC	Power cord & Plug
6	C045E2900	Control inlet socket	16	W-2E	Wireless transmitter
7	C00013610	Fluid tube connector	17	FT-P-6-4A-5M	Fluid tube with filter / 5M
8	S-600-P	Pump (Group)	18	SC-4	Wired remote controller (Optional)
9	S60000100	Steel	19	S-600-BH	Bottle holder (Optional)
10	C02000700	Acrylic			

Antari[®]
FOG MACHINE

S-600 SNOW MACHINE  Yeti



C08S60002